



Connectors > Power Connectors > Circular Power > Circular Power Connectors > CMC SERIES 2



Connector Product Type: **Housing**

Operating Voltage: **250 VDC**

Wire Size: **.079 – .53 mm²**

Connector System: **Wire-to-Panel**

[All CMC SERIES 2 \(8\)](#)

Features

Product Type Features

Connector Product Type	Housing
Connector System	Wire-to-Panel
Sealable	No
Connector & Contact Terminates To	Wire & Cable
Connector & Housing Type	Receptacle
Circular Connector Shell Type	Metal-Shell

Configuration Features

Reverse Numbering	Without
Number of Positions	28
Number of Power Positions	0
Number of Signal Positions	28

Electrical Characteristics

Operating Voltage	250 VAC
-------------------	---------



Contact Features

Reverse Gender	Yes
Contact Type	Socket
Contact Current Rating (Max)	8 A
Contact Protection	With

Termination Features

Termination Method to Wire & Cable	Crimp
------------------------------------	-------

Mechanical Attachment

Mating Alignment Type	Keyed
Mating Alignment	With
Panel Mount Feature Type	Flange with Mounting Holes
Mating Retention Type	Threaded Coupling
Thread Size	15/16-20 UNEF – 2A
Connector Mounting Type	Panel Mount
Mating Retention	With
Panel Mount Feature	With

Housing Features

Body Orientation	Straight
Housing Color	Black
Housing Material	Thermoplastic
Circular Connector Shell Size	22

Dimensions

Compatible Insulation Diameter Range	1.73 mm[.068 in]
Wire Size	.079 – .53 mm ²

Usage Conditions

Operating Temperature Range	-55 – 105 °C[-67 – 221 °F]
Fluid Resistance	None

Operation/Application

Circuit Application	Signal
Shielded	No

Industry Standards

UL Flammability Rating	UL 94V-0
------------------------	----------



Packaging Features

Packaging Quantity	10
Packaging Method	Box

Product Compliance

[For compliance documentation, visit the product page on TE.com>](#)

EU RoHS Directive 2011/65/EU	Compliant
EU ELV Directive 2000/53/EC	Compliant
China RoHS 2 Directive MIIT Order No 32, 2016	No Restricted Materials Above Threshold
EU REACH Regulation (EC) No. 1907/2006	Current ECHA Candidate List: JUNE 2023 (235) Candidate List Declared Against: JAN 2023 (233) Does not contain REACH SVHC
Halogen Content	BFR/CFR/PVC Free, but Br/Cl >900 ppm in other sources.
Solder Process Capability	Not applicable for solder process capability

Product Compliance Disclaimer

This information is provided based on reasonable inquiry of our suppliers and represents our current actual knowledge based on the information they provided. This information is subject to change. The part numbers that TE has identified as EU RoHS compliant have a maximum concentration of 0.1% by weight in homogenous materials for lead, hexavalent chromium, mercury, PBB, PBDE, DBP, BBP, DEHP, DIBP, and 0.01% for cadmium, or qualify for an exemption to these limits as defined in the Annexes of Directive 2011/65/EU (RoHS2). Finished electrical and electronic equipment products will be CE marked as required by Directive 2011/65/EU. Components may not be CE marked. Additionally, the part numbers that TE has identified as EU ELV compliant have a maximum concentration of 0.1% by weight in homogenous materials for lead, hexavalent chromium, and mercury, and 0.01% for cadmium, or qualify for an exemption to these limits as defined in the Annexes of Directive 2000/53/EC (ELV). Regarding the REACH Regulation, the information TE provides on SVHC in articles for this part number is based on the latest European Chemicals Agency (ECHA) 'Guidance on requirements for substances in articles' posted at this URL: <https://echa.europa.eu/guidance-documents/guidance-on-reach>

Compatible Parts



Also in the Series | [AMP CPC](#)



Circular Connector Adapters(7)



Circular Connector Caps & Covers(16)



Circular Connector Hardware(3)



Circular Connector Keying Plugs(2)



Circular Power Connectors(458)



Connector Backshells(56)



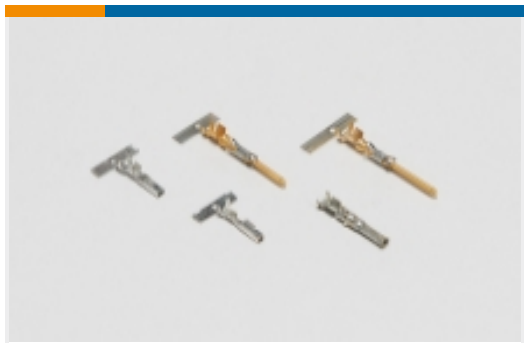
Connector Seals & Cavity Plugs(36)



Connector Strain Relief(6)



Insertion & Extraction Tools(1)



Power Contacts(6)

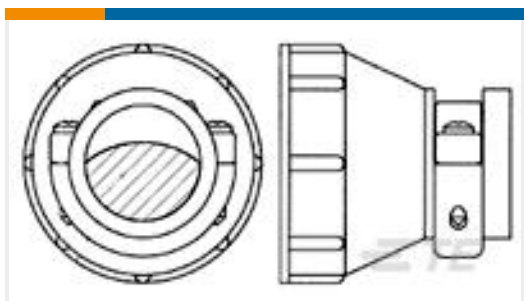


Sealing Sleeves(2)

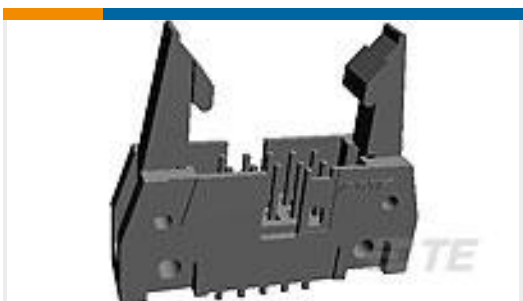
Customers Also Bought



TE Part #208718-1
CMC PLUG ASSEMBLY, SZ 14-5



TE Part #208945-5
SZ 14 UNASSM KIT, CMC



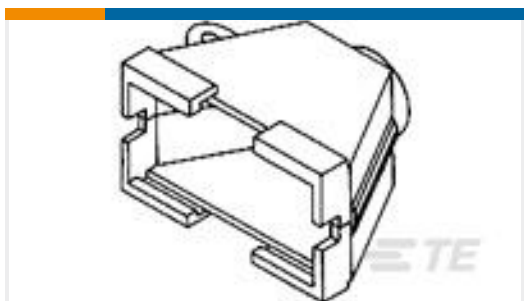
TE Part #499206-4
020 UNIV HDR SP 4S 30DP STD L1



TE Part #211401-4
RECEPT, SZ 13-7, CPC



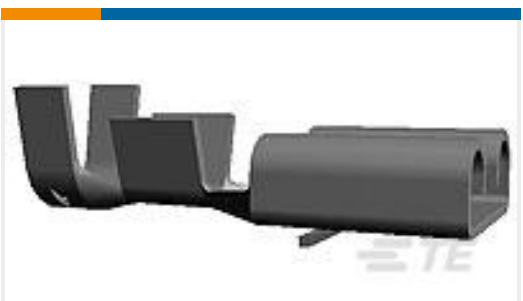
TE Part #1-1721150-0
ORWH-SH-105D1F, 000



TE Part #350373-1
06P STR/REL HSG HNGD



TE Part #1838275-3
M12 Fld Ser CONN. Male Pin Sldr



TE Part #63241-3
FF 110 REC 22-18AWG PTBR



Documents

Product Drawings

[CMC RECEPTACLE ASSY, SIZE 22](#)

English

CAD Files

[3D PDF](#)

English

Customer View Model

[ENG_CVM_208493-1_H.2d_dxf.zip](#)

English

Customer View Model

[ENG_CVM_208493-1_H.3d_igs.zip](#)

English

Customer View Model

[ENG_CVM_208493-1_H.3d_stp.zip](#)

English

[3D PDF](#)

3D

Customer View Model

[ENG_CVM_CVM_208493-1_T.2d_dxf.zip](#)

English

Customer View Model

[ENG_CVM_CVM_208493-1_T.3d_igs.zip](#)

English

Customer View Model

[ENG_CVM_CVM_208493-1_T.3d_stp.zip](#)

English

By downloading the CAD file I accept and agree to the [Terms and Conditions](#) of use.

Datasheets & Catalog Pages

[1-1773902-9_CPC_Catalog](#)

English

[1-1773902-9_CPC_Catalog](#)

[1-1773902-9_CPC_Catalog](#)

German



[1-1773902-9_CPC_Catalog](#)

Japanese

[AMP Circular Connectors for Commercial Signal & Power Applications Continued](#)

English

[Instruction Sheets](#)

[Instruction Sheet \(U.S.\)](#)

English

[Agency Approvals](#)

[CSA Certificate](#)

English

[CSA Certificate](#)

English