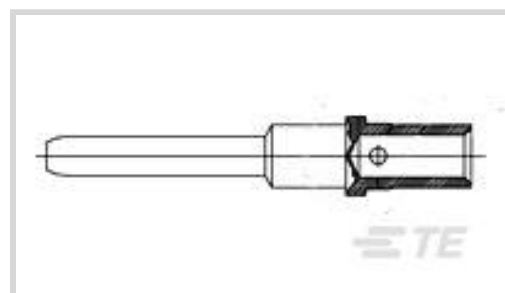




Connectors > PCB Connectors > Backplane Connectors > Rack & Panel Backplane > Rack & Panel Contacts



Contact Type: **Pin**

Contact Size: **Size 12**

Rack & Panel Connector Contact Style: **Standard**

Contact Length: **25.58 mm [ 1.007 in ]**

Contact Mating Area Plating Material: **Unplated**

## Features

### Product Type Features

Connector & Contact Terminates To	Wire & Cable
-----------------------------------	--------------

### Body Features

Contact Removal Style	Rear Release
-----------------------	--------------

### Contact Features

Contact Mating Area Plating Material Thickness	1.27 $\mu$ m
--	--------------

Contact Orientation	Straight
---------------------	----------

Contact Base Material	Copper Alloy
-----------------------	--------------

Contact Type	Pin
--------------	-----

Contact Size	Size 12
--------------	---------

Rack & Panel Connector Contact Style	Standard
--------------------------------------	----------

Contact Length	25.58 mm[1.007 in]
----------------	--------------------

Contact Mating Area Plating Material	Unplated
--------------------------------------	----------

### Termination Features

Termination Method to Wire & Cable	Crimp
------------------------------------	-------

### Mechanical Attachment

Contact Retention Type Within Housing	Retention Clip
---------------------------------------	----------------

### Dimensions

Wire Size	2 – 3 mm <sup>2</sup>
-----------	-----------------------



### Identification Marking

Contact Color Code	Yellow/Orange
--------------------	---------------

### Packaging Features

Packaging Method	Package
------------------	---------

### Product Compliance

[For compliance documentation, visit the product page on TE.com>](#)

EU RoHS Directive 2011/65/EU	Compliant with Exemptions
EU ELV Directive 2000/53/EC	Compliant with Exemptions
China RoHS 2 Directive MIIT Order No 32, 2016	Restricted Materials Above Threshold
EU REACH Regulation (EC) No. 1907/2006	<p>Current ECHA Candidate List: JUNE 2023 (235)</p> <p>Candidate List Declared Against: JAN 2022 (223)</p> <p>SVHC &gt; Threshold:</p> <p>Pb (1.5% in Component Part)</p> <p><b>Article Safe Usage Statements:</b> Do not eat, drink or smoke when using this product. Wash thoroughly after handling. Recycle if possible and dispose of the article by following all applicable governmental regulations relevant to your geographic location.</p>
Halogen Content	Low Halogen - Br, Cl, F, I < 900 ppm per homogenous material. Also BFR/CFR/PVC Free
Solder Process Capability	Not applicable for solder process capability

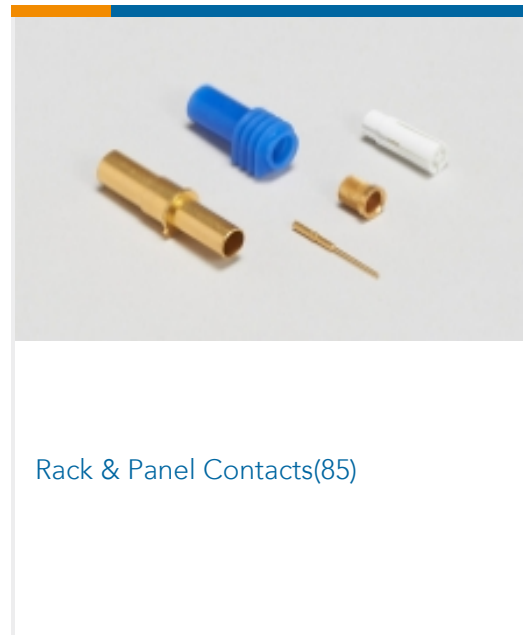
#### Product Compliance Disclaimer

This information is provided based on reasonable inquiry of our suppliers and represents our current actual knowledge based on the information they provided. This information is subject to change. The part numbers that TE has identified as EU RoHS compliant have a maximum concentration of 0.1% by weight in homogenous materials for lead, hexavalent chromium, mercury, PBB, PBDE, DBP, BBP, DEHP, DIBP, and 0.01% for cadmium, or qualify for an exemption to these limits as defined in the Annexes of Directive 2011/65/EU (RoHS2). Finished electrical and electronic equipment products will be CE marked as required by Directive 2011/65/EU. Components may not be CE marked. Additionally, the part numbers that TE has identified as EU ELV compliant have a maximum concentration of 0.1% by weight in homogenous materials for lead, hexavalent chromium, and mercury, and 0.01% for cadmium, or qualify for an exemption to these limits as defined in the Annexes of Directive 2000/53/EC (ELV). Regarding the REACH Regulation, the information TE provides on SVHC in articles for this part number is based on the latest European Chemicals Agency (ECHA) 'Guidance on requirements for substances in articles' posted at this URL: <https://echa.europa.eu/guidance-documents/guidance-on-reach>

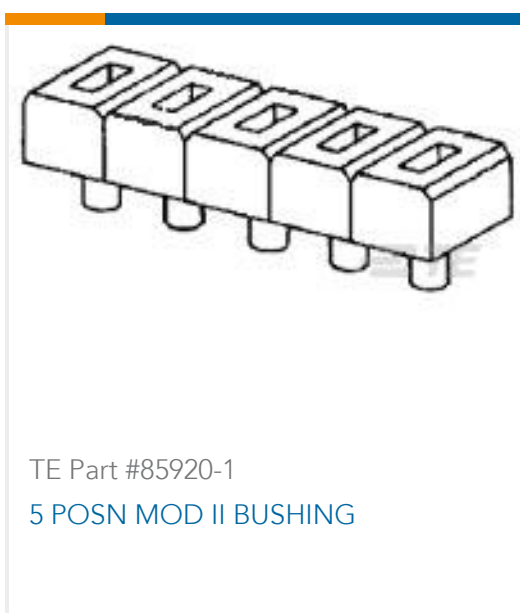
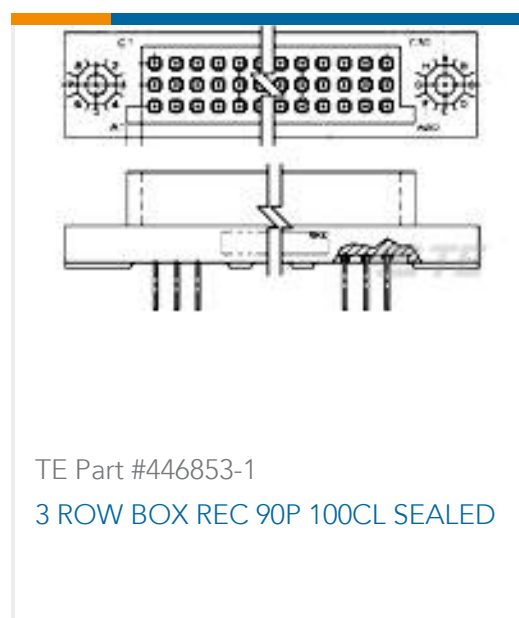
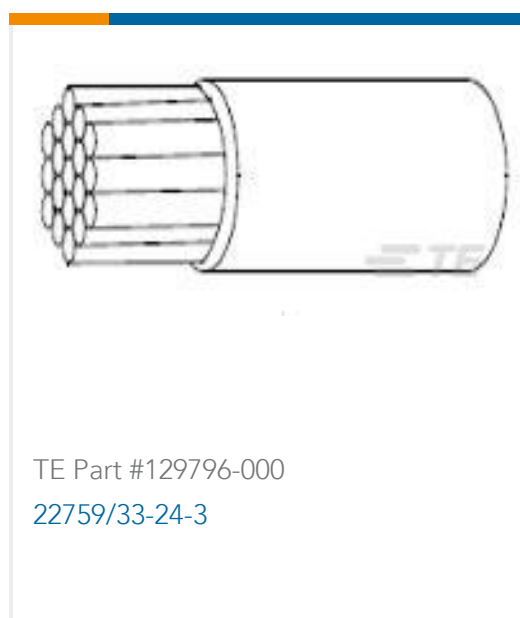
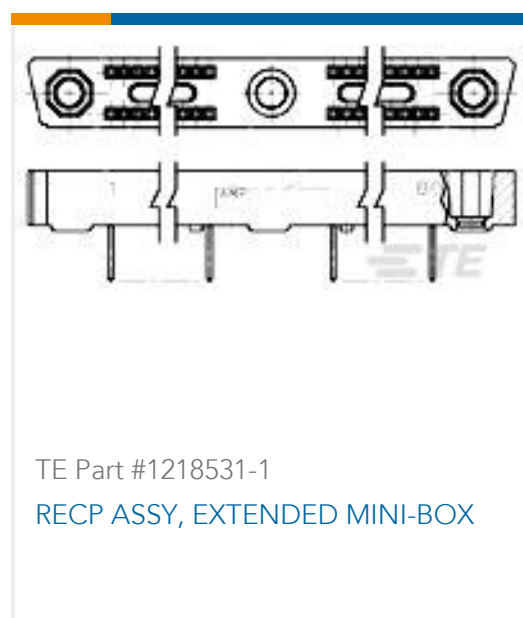
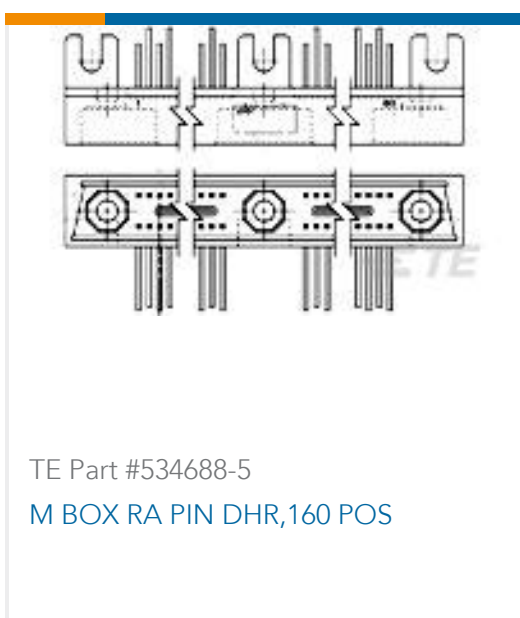
### Compatible Parts



Also in the Series | AMP ARINC 600 Series



Customers Also Bought





## Documents

### Product Drawings

[PIN CONT, SZ 12](#)

English

---

### CAD Files

[3D PDF](#)

3D

Customer View Model

[ENG\\_CVM\\_CVM\\_208271-3\\_R.2d\\_dxf.zip](#)

English

Customer View Model

[ENG\\_CVM\\_CVM\\_208271-3\\_R.3d\\_igs.zip](#)

English

Customer View Model

[ENG\\_CVM\\_CVM\\_208271-3\\_R.3d\\_stp.zip](#)

English

By downloading the CAD file I accept and agree to the [Terms and Conditions](#) of use.

---

### Datasheets & Catalog Pages

[ARINC 600 Next Generation Receptacle Connector](#)

English

---

### Instruction Sheets

[Instruction Sheet \(U.S.\)](#)

English

[AMP\\* ARINC 600 CONNECTORS \(REAR-RELEASE CONTACTS\)](#)

English