

208211-1 ✓ ACTIVE

AMP | AMP Metrimate

TE Internal #: 208211-1

Rectangular Connector Hardware, Mounting Screw, -55 – 130 °C
[-67 – 266 °F], AMP Metrimate

[View on TE.com >](#)



Connectors > Rectangular Connectors > Rectangular Connector Accessories > Rectangular Connector Hardware



Connector Hardware Type: **Mounting Screw**

Operating Temperature Range: -55 – 130 °C [-67 – 266 °F]

Features

Body Features

Primary Product Material	Stainless Steel
--------------------------	-----------------

Mechanical Attachment

Thread Size	M4 x 0.7-6G
Connector Hardware Type	Mounting Screw

Dimensions

Product Length	21.33 mm [.84 in]
Product Height	5.08 mm [.2 in]

Usage Conditions

Operating Temperature Range	-55 – 130 °C [-67 – 266 °F]
-----------------------------	-----------------------------

Packaging Features

Packaging Quantity	1
Packaging Method	Package

Product Compliance

[For compliance documentation, visit the product page on TE.com>](#)

EU RoHS Directive 2011/65/EU	Compliant
------------------------------	-----------



EU ELV Directive 2000/53/EC	Compliant
China RoHS 2 Directive MIIT Order No 32, 2016	No Restricted Materials Above Threshold
EU REACH Regulation (EC) No. 1907/2006	Current ECHA Candidate List: JUNE 2023 (235) Candidate List Declared Against: JUNE 2023 (235) Does not contain REACH SVHC
Halogen Content	Low Halogen - Br, Cl, F, I < 900 ppm per homogenous material. Also BFR/CFR/PVC Free
Solder Process Capability	Not applicable for solder process capability

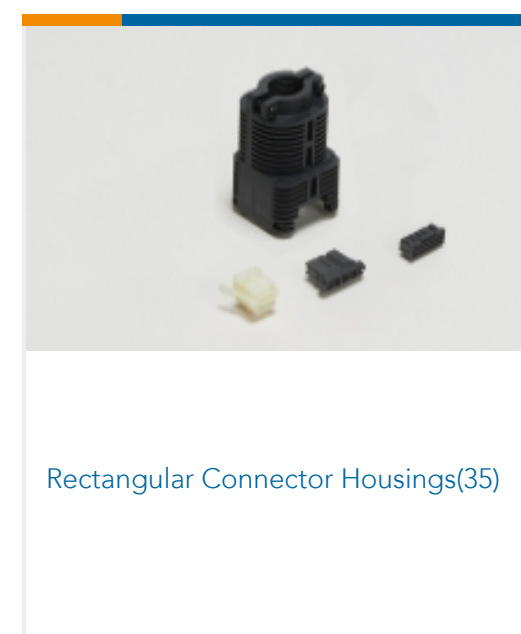
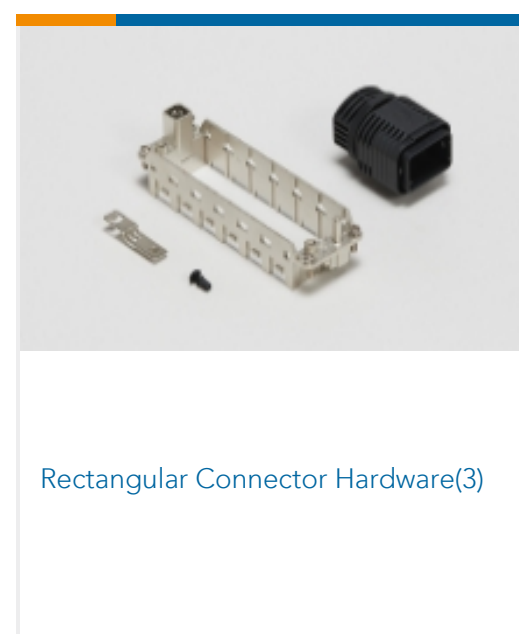
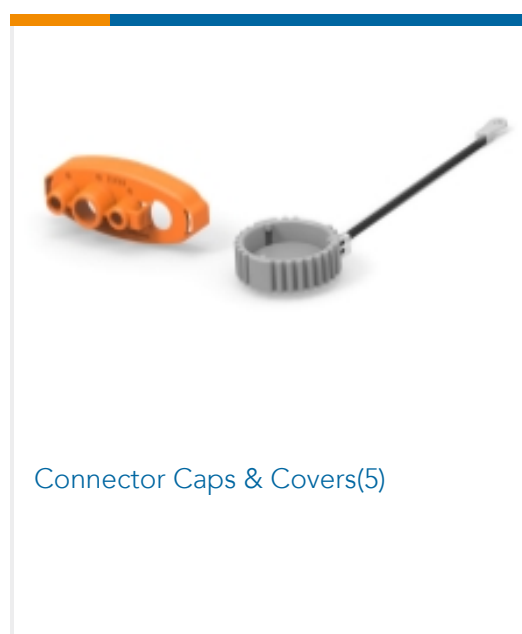
Product Compliance Disclaimer

This information is provided based on reasonable inquiry of our suppliers and represents our current actual knowledge based on the information they provided. This information is subject to change. The part numbers that TE has identified as EU RoHS compliant have a maximum concentration of 0.1% by weight in homogenous materials for lead, hexavalent chromium, mercury, PBB, PBDE, DBP, BBP, DEHP, DIBP, and 0.01% for cadmium, or qualify for an exemption to these limits as defined in the Annexes of Directive 2011/65/EU (RoHS2). Finished electrical and electronic equipment products will be CE marked as required by Directive 2011/65/EU. Components may not be CE marked. Additionally, the part numbers that TE has identified as EU ELV compliant have a maximum concentration of 0.1% by weight in homogenous materials for lead, hexavalent chromium, and mercury, and 0.01% for cadmium, or qualify for an exemption to these limits as defined in the Annexes of Directive 2000/53/EC (ELV). Regarding the REACH Regulation, the information TE provides on SVHC in articles for this part number is based on the latest European Chemicals Agency (ECHA) 'Guidance on requirements for substances in articles' posted at this URL: <https://echa.europa.eu/guidance-documents/guidance-on-reach>

Compatible Parts

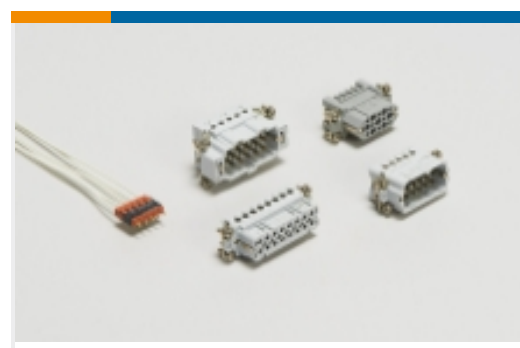


Also in the Series | AMP Metrimate





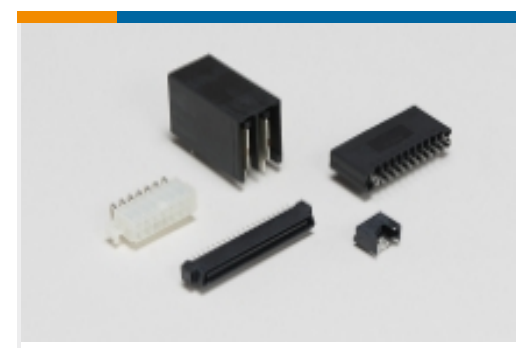
Rectangular Connector Keying Plugs(1)



Rectangular Contact Inserts(4)



Rectangular Power Connectors(2)



Standard Rectangular Connectors(5)

Customers Also Bought



TE Part #1-1879021-7
SMD Power Resistor: 7 Watt, 0.10-500
Ohm



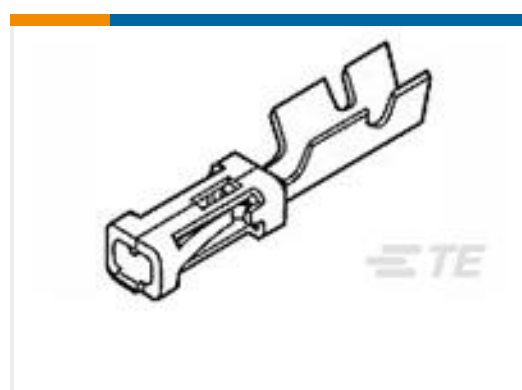
TE Part #6609109-1
PE000DL6C M0=C7001



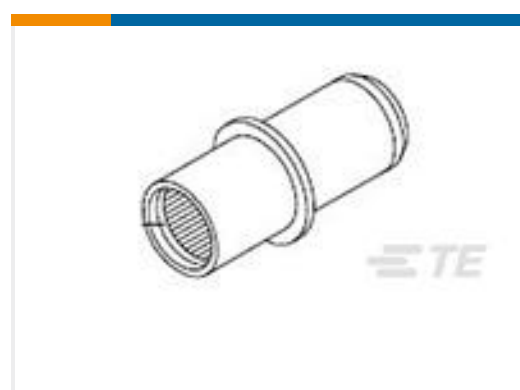
TE Part #211149-1
PIN HSG,25 POSN,METRIMATE



TE Part #34159
TERMINAL,PG R 16-14 6



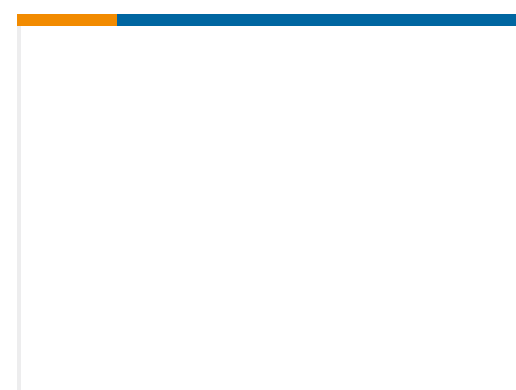
TE Part #5-103171-1
MOD IV RECP PLTD 15 DPLX LF



TE Part #6648416-1
CONTACT,SKT,SIZE #0



TE Part #211150-1
METRIMATE SKT HSG 25P



TE Part #1520204-1
8690K2=10 AMP TOGGLE DPDT

Documents

Product Drawings

[SCREW SHOULDER, SPEC](#)

English

CAD Files

Customer View Model

[ENG_CVM_208211-1_M.3d_igs.zip](#)

English

Customer View Model

[ENG_CVM_208211-1_M.3d_stp.zip](#)

English

Customer View Model

[ENG_CVM_208211-1_M.2d_dxf.zip](#)

English

[3D PDF](#)

English

[3D PDF](#)



3D

Customer View Model

[ENG_CVM_CVM_208211-1_S.2d_dxf.zip](#)

English

Customer View Model

[ENG_CVM_CVM_208211-1_S.3d_igs.zip](#)

English

Customer View Model

[ENG_CVM_CVM_208211-1_S.3d_stp.zip](#)

English

By downloading the CAD file I accept and agree to the [Terms and Conditions](#) of use.

Datasheets & Catalog Pages

[METRIMATE_PIN_SOCKET_CATALOG](#)

English

Product Specifications

[Application Specification](#)

English