

2081934-1 ✓ ACTIVE

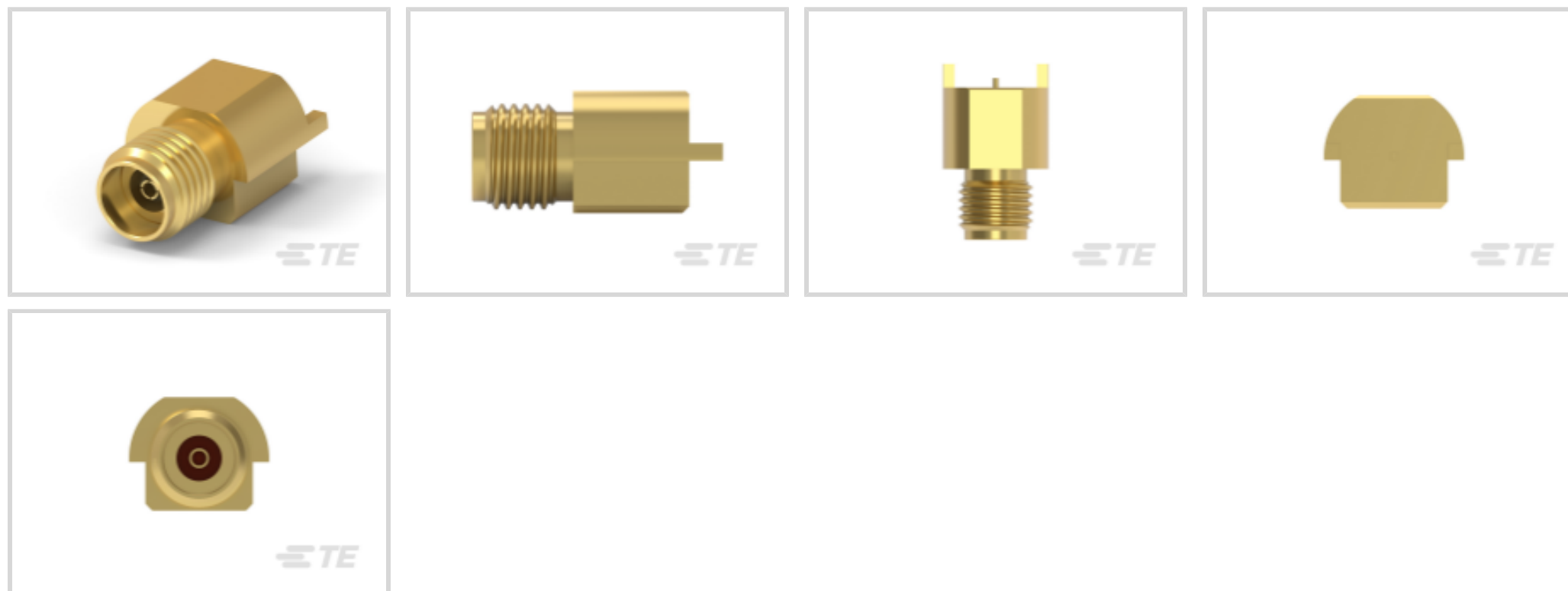
TE Internal #: 2081934-1

OS 2.9 RF Interface, Jack, 50  $\Omega$ , Screw, 40 GHz Operating Frequency, Cable-to-Board, 1 Position, Printed Circuit Board, Board Mount

[View on TE.com >](#)



Connectors > RF Connectors > Coax Connectors



RF Interface: **OS 2.9**

RF Connector Style: **Jack**

Impedance: **50  $\Omega$**

RF Connector Coupling Mechanism: **Screw**

Operating Frequency: **40 GHz**

## Features

### Product Type Features

RF Interface	OS 2.9
RF Connector Style	Jack
Connector System	Cable-to-Board
Connector & Contact Terminates To	Printed Circuit Board

### Configuration Features

PCB Mount Orientation	Edge
Number of Positions	1
Number of Coaxial Contacts	1

### Electrical Characteristics

Impedance	50 $\Omega$
-----------	-------------

### Body Features

Cable Connector Orientation	Straight
Body Material	Brass
Body Material Finish	Plated



Body Plating Material	Gold
-----------------------	------

### Contact Features

RF Connector Center Contact Plating Material	Gold
RF Connector Center Contact Material	Beryllium Copper

### Termination Features

Termination Post & Tail Length	2 mm[.079 in]
Termination Method to Printed Circuit Board	Through Hole - Solder

### Mechanical Attachment

RF Connector Coupling Mechanism	Screw
Connector Mounting Type	Board Mount
RF Contact Captivation Method	Mechanical

### Dimensions

Profile Height from PCB	3.9 mm[.153 in]
-------------------------	-----------------

### Usage Conditions

Operating Temperature Range	-55 – 125 °C[-67 – 257 °F]
-----------------------------	----------------------------

### Operation/Application

Operating Frequency	40 GHz
Circuit Application	Power & Signal

### Packaging Features

Packaging Method	Reel/Box
------------------	----------

### Other

Dielectric Material	Polyetherimide (PEI)
---------------------	----------------------

## Product Compliance

[For compliance documentation, visit the product page on TE.com>](#)

EU RoHS Directive 2011/65/EU	Compliant with Exemptions
EU ELV Directive 2000/53/EC	Not Yet Reviewed
China RoHS 2 Directive MIIT Order No 32, 2016	Restricted Materials Above Threshold
EU REACH Regulation (EC) No. 1907/2006	Current ECHA Candidate List: JUNE 2023 (235) Candidate List Declared Against: JUNE 2023 (235) SVHC > Threshold:



Pb (4% in Component Part)

Article Safe Usage Statements:

Do not eat, drink or smoke when using this product. Wash thoroughly after handling. Recycle if possible and dispose of the article by following all applicable governmental regulations relevant to your geographic location.

Halogen Content

Low Bromine/Chlorine - Br and Cl < 900 ppm per homogenous material. Also BFR /CFR/PVC Free

Solder Process Capability

Not reviewed for solder process capability

Product Compliance Disclaimer

This information is provided based on reasonable inquiry of our suppliers and represents our current actual knowledge based on the information they provided. This information is subject to change. The part numbers that TE has identified as EU RoHS compliant have a maximum concentration of 0.1% by weight in homogenous materials for lead, hexavalent chromium, mercury, PBB, PBDE, DBP, BBP, DEHP, DIBP, and 0.01% for cadmium, or qualify for an exemption to these limits as defined in the Annexes of Directive 2011/65/EU (RoHS2). Finished electrical and electronic equipment products will be CE marked as required by Directive 2011/65/EU. Components may not be CE marked. Additionally, the part numbers that TE has identified as EU ELV compliant have a maximum concentration of 0.1% by weight in homogenous materials for lead, hexavalent chromium, and mercury, and 0.01% for cadmium, or qualify for an exemption to these limits as defined in the Annexes of Directive 2000/53/EC (ELV). Regarding the REACH Regulation, the information TE provides on SVHC in articles for this part number is based on the latest European Chemicals Agency (ECHA) 'Guidance on requirements for substances in articles' posted at this URL: <https://echa.europa.eu/guidance-documents/guidance-on-reach>

## Compatible Parts

TE Part # 1053635-1  
2081 0000 02

TE Part # 1-2016655-0  
SMA,MALE-MALE,18G,L1000,  
WITHOUT ARMOR

TE Part # 1-2016656-0  
SMA M DOUBLE,18G,1.0M WITH  
ARMOR,PUR


TE Part # 1-2016703-0  
N M TO SMA M,18G,1.0M WITH  
ARMOR

TE Part # 1-2016655-5  
SMA M DOUBLE,18G,1.5M WITHOUT  
ARMOR


TE Part # 1-2016656-5  
SMA M DOUBLE,18G,1.5M WITH  
ARMOR,PUR

TE Part # 1-2016662-0  
2.92,M,BOTH END,WITH ARMOR  
CABLE,40GHZ

TE Part # 1-2016662-5  
2.92 M DOUBEL,40G,1.5M,WITH  
ARMOR,BRAID

TE Part # 1-2016663-0  
3.5 M DOUBLE,26.5G,1.0M,WITH  
ARMOR,BRAID



TE Part # 1-2016663-5  
3.5 M DOUBLE,26.5G,1.5M,WITH  
ARMOR,BRAID




TE Part # 1-2016703-5  
N M TO SMA M,18G,1.5M WITH  
ARMOR




TE Part # 2016655-6  
SMA M DOUBLE,18G,0.6M WITHOUT  
ARMOR



TE Part # 2016656-6  
SMA M DOUBLE,18G,0.6M WITH  
ARMOR,PUR



TE Part # 2016662-6  
2.92 M DOUBEL,40G,0.6M,WITH  
ARMOR,BRAID



TE Part # 2016663-6  
3.5 M DOUBLE,26.5G,0.6M,WITH  
ARMOR,BRAID



TE Part # 2016703-6  
N M TO SMA M,18G,0.6M WITH  
ARMOR

## Customers Also Bought



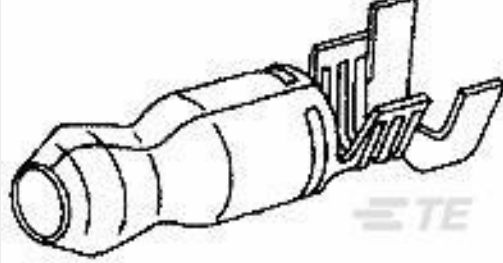
TE Part #1-2199230-6  
M.2 Connectors



TE Part #5767054-1  
MICT,RECPT,38,ASSY,PDNI



TE Part #5103308-5  
A/L LOW PRO HDR 20P VERT BLACK



TE Part #60793-1  
SHUR PLUG .180 18-14 AWG TPBR



TE Part #2304372-1  
1-PORT MATENET HDR ASSY 90DEG,  
COD A

## Documents

### Product Drawings

[2.92MM JACK PCB EDGE LAUNCH](#)

English

### CAD Files

[3D PDF](#)

[3D](#)

[Customer View Model](#)

[ENG\\_CVM\\_CVM\\_2081934-1\\_A.2d\\_dxf.zip](#)



English

Customer View Model

[ENG\\_CVM\\_CVM\\_2081934-1\\_A.3d\\_igs.zip](#)

English

Customer View Model

[ENG\\_CVM\\_CVM\\_2081934-1\\_A.3d\\_stp.zip](#)

English

By downloading the CAD file I accept and agree to the [Terms and Conditions](#) of use.

## Product Specifications

[Product Specification](#)

English