

2081570-1 ✓ ACTIVE

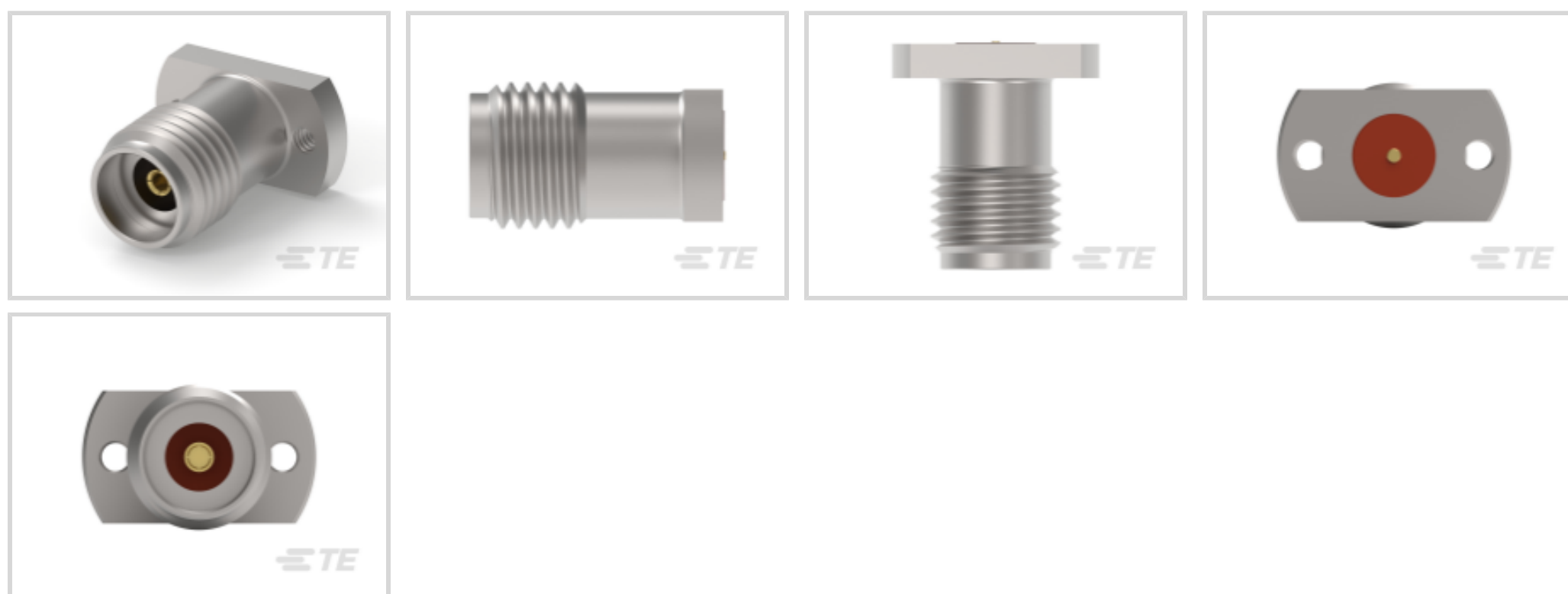
TE Internal #: 2081570-1

OS 2.9 RF Interface, Jack, 50 Ω , Screw, 40 GHz Operating Frequency, Cable-to-Board, 1 Position, Wire & Cable, -55 – 125 $^{\circ}\text{C}$ [-67 – 257 $^{\circ}\text{F}$], Straight

[View on TE.com >](#)



Connectors > RF Connectors > Coax Connectors



RF Interface: **OS 2.9**

RF Connector Style: **Jack**

RF Connector Mated Outer Diameter (Approximate): **9.65 mm [.38 in]**

Impedance: **50 Ω**

RF Connector Coupling Mechanism: **Screw**

Features

Product Type Features

| | |
|-----------------------------------|----------------|
| RF Interface | OS 2.9 |
| RF Connector Style | Jack |
| Connector System | Cable-to-Board |
| Connector & Contact Terminates To | Wire & Cable |

Configuration Features

| | |
|----------------------------|----------|
| PCB Mount Orientation | Vertical |
| Number of Positions | 1 |
| Number of Coaxial Contacts | 1 |

Electrical Characteristics

| | |
|---|-------------|
| EMI & RFI Protection & Suppression Type | PCB Ground |
| Impedance | 50 Ω |

Body Features

| | |
|-----------------------------|-----------------|
| Cable Connector Orientation | Straight |
| Body Material | Stainless Steel |



| | |
|----------------------|------------|
| Body Material Finish | Passivated |
|----------------------|------------|

Contact Features

| | |
|--|------------------|
| RF Connector Center Contact Plating Material | Gold |
| RF Connector Center Contact Material | Beryllium Copper |

Mechanical Attachment

| | |
|---------------------------------|------------|
| RF Connector Coupling Mechanism | Screw |
| RF Contact Captivation Method | Mechanical |

Dimensions

| | |
|---|-------------------|
| Profile Height from PCB | 10.94 mm[.431 in] |
| RF Connector Mated Outer Diameter (Approximate) | 9.65 mm[.38 in] |

Usage Conditions

| | |
|-----------------------------|----------------------------|
| Operating Temperature Range | -55 – 125 °C[-67 – 257 °F] |
|-----------------------------|----------------------------|

Operation/Application

| | |
|---------------------|--------|
| Operating Frequency | 40 GHz |
| Circuit Application | Signal |

Packaging Features

| | |
|------------------|-----|
| Packaging Method | Bag |
|------------------|-----|

Other

| | |
|---------------------|----------------------|
| Dielectric Material | Polyetherimide (PEI) |
|---------------------|----------------------|

Product Compliance

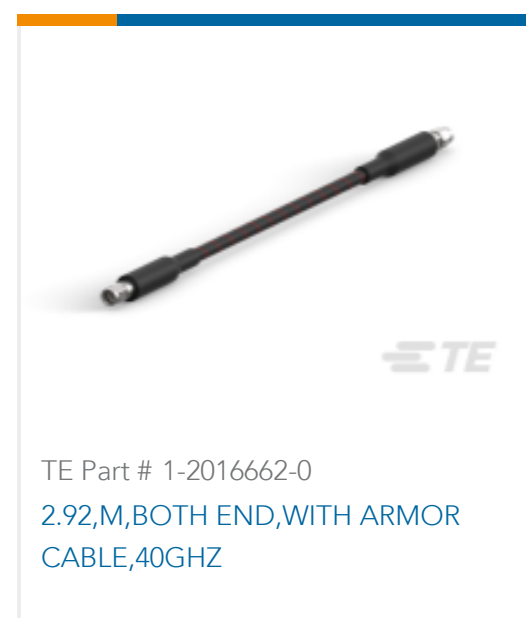
[For compliance documentation, visit the product page on TE.com>](#)

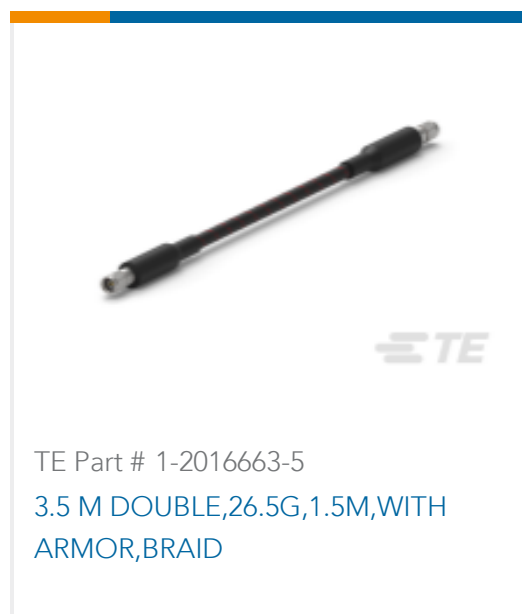
| | |
|---|---|
| EU RoHS Directive 2011/65/EU | Compliant with Exemptions |
| EU ELV Directive 2000/53/EC | Not Yet Reviewed |
| China RoHS 2 Directive MIIT Order No 32, 2016 | Restricted Materials Above Threshold |
| EU REACH Regulation (EC) No. 1907/2006 | Current ECHA Candidate List: JUNE 2023 (235) Candidate List Declared Against: JUNE 2023 (235) Does not contain REACH SVHC |
| Halogen Content | Low Halogen - Br, Cl, F, I < 900 ppm per homogenous material. Also BFR/CFR/PVC Free |
| Solder Process Capability | Not reviewed for solder process capability |

Product Compliance Disclaimer

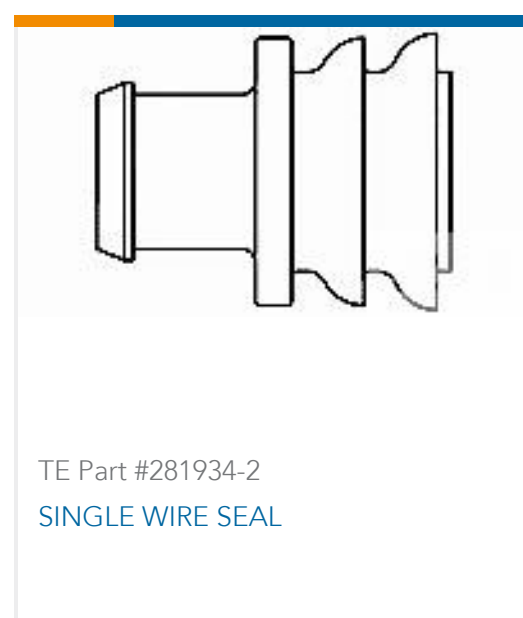
This information is provided based on reasonable inquiry of our suppliers and represents our current actual knowledge based on the information they provided. This information is subject to change. The part numbers that TE has identified as EU RoHS compliant have a maximum concentration of 0.1% by weight in homogenous materials for lead, hexavalent chromium, mercury, PBB, PBDE, DBP, BBP, DEHP, DIBP, and 0.01% for cadmium, or qualify for an exemption to these limits as defined in the Annexes of Directive 2011/65/EU (RoHS2). Finished electrical and electronic equipment products will be CE marked as required by Directive 2011/65/EU. Components may not be CE marked. Additionally, the part numbers that TE has identified as EU ELV compliant have a maximum concentration of 0.1% by weight in homogenous materials for lead, hexavalent chromium, and mercury, and 0.01% for cadmium, or qualify for an exemption to these limits as defined in the Annexes of Directive 2000/53/EC (ELV). Regarding the REACH Regulation, the information TE provides on SVHC in articles for this part number is based on the latest European Chemicals Agency (ECHA) 'Guidance on requirements for substances in articles' posted at this URL: <https://echa.europa.eu/guidance-documents/guidance-on-reach>

Compatible Parts





Customers Also Bought



Documents

Product Drawings

[2.92MM JACK 2 HOLE FLANGE RECEPTACLE](#)

English

CAD Files

[3D PDF](#)

[3D](#)

[Customer View Model](#)

[ENG_CVM_CVM_2081570-1_A.2d_dxf.zip](#)



English

Customer View Model

[ENG_CVM_CVM_2081570-1_A.3d_igs.zip](#)

English

Customer View Model

[ENG_CVM_CVM_2081570-1_A.3d_stp.zip](#)

English

By downloading the CAD file I accept and agree to the [Terms and Conditions](#) of use.

Product Specifications

Product Specification

English

Product Environmental Compliance

Product Compliance Document

English

Product Compliance Document

English