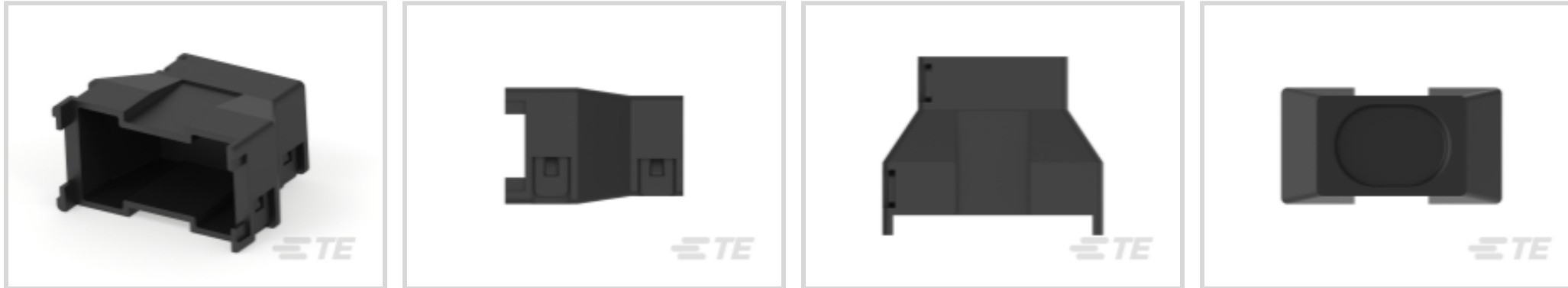




Connectors > Connector Accessories > Connector Strain Relief



Strain Relief Accessory Type: **Strain Relief Cover**

Primary Product Material: **Nylon**

Primary Product Color: **Black**

Number of Positions: **36**

Sealable: **No**

Features

Product Type Features

Strain Relief Accessory Type	Strain Relief Cover
Sealable	No

Configuration Features

Number of Positions	36
---------------------	----

Body Features

Primary Product Material	Nylon
Primary Product Color	Black

Usage Conditions

Operating Temperature Range	-55 – 130 °C[-67 – 266 °F]
-----------------------------	----------------------------

Industry Standards

Agency/Standard	CSA, UL, VDE
-----------------	--------------

Packaging Features

Packaging Method	Bag
Packaging Quantity	1

Product Compliance

[For compliance documentation, visit the product page on TE.com>](#)

EU RoHS Directive 2011/65/EU	Compliant
------------------------------	-----------



EU ELV Directive 2000/53/EC	Compliant
China RoHS 2 Directive MIIT Order No 32, 2016	No Restricted Materials Above Threshold
EU REACH Regulation (EC) No. 1907/2006	Current ECHA Candidate List: JUNE 2023 (235) Candidate List Declared Against: JUNE 2023 (235) Does not contain REACH SVHC
Halogen Content	Not Low Halogen - contains Br or Cl > 900 ppm.
Solder Process Capability	Not applicable for solder process capability

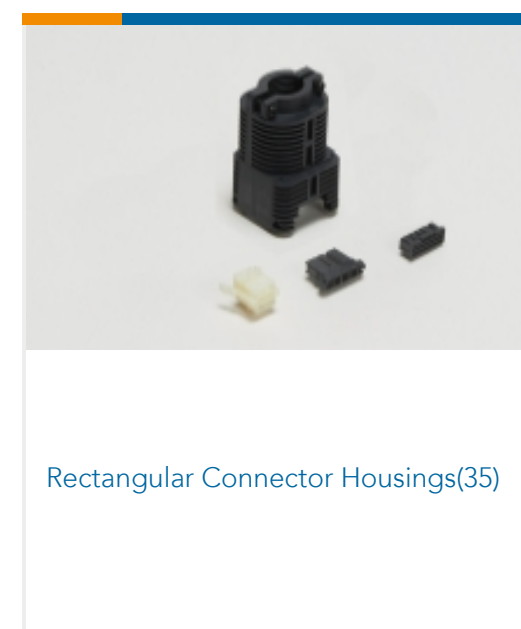
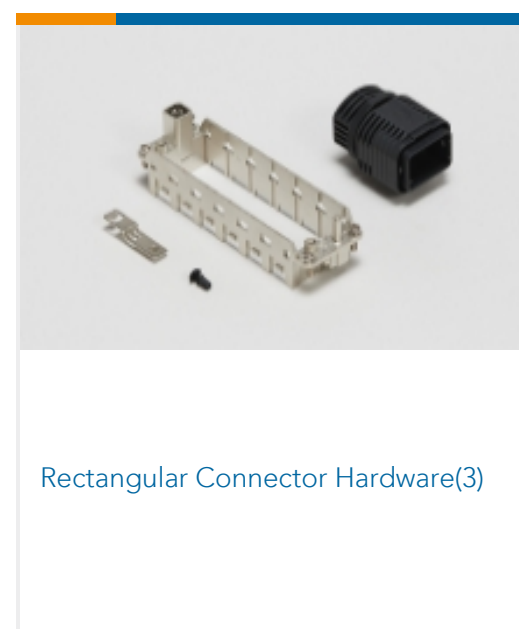
Product Compliance Disclaimer

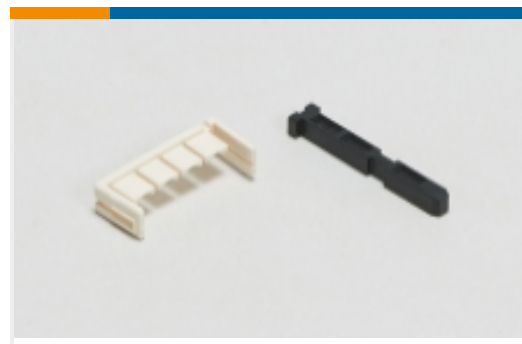
This information is provided based on reasonable inquiry of our suppliers and represents our current actual knowledge based on the information they provided. This information is subject to change. The part numbers that TE has identified as EU RoHS compliant have a maximum concentration of 0.1% by weight in homogenous materials for lead, hexavalent chromium, mercury, PBB, PBDE, DBP, BBP, DEHP, DIBP, and 0.01% for cadmium, or qualify for an exemption to these limits as defined in the Annexes of Directive 2011/65/EU (RoHS2). Finished electrical and electronic equipment products will be CE marked as required by Directive 2011/65/EU. Components may not be CE marked. Additionally, the part numbers that TE has identified as EU ELV compliant have a maximum concentration of 0.1% by weight in homogenous materials for lead, hexavalent chromium, and mercury, and 0.01% for cadmium, or qualify for an exemption to these limits as defined in the Annexes of Directive 2000/53/EC (ELV). Regarding the REACH Regulation, the information TE provides on SVHC in articles for this part number is based on the latest European Chemicals Agency (ECHA) 'Guidance on requirements for substances in articles' posted at this URL: <https://echa.europa.eu/guidance-documents/guidance-on-reach>

Compatible Parts

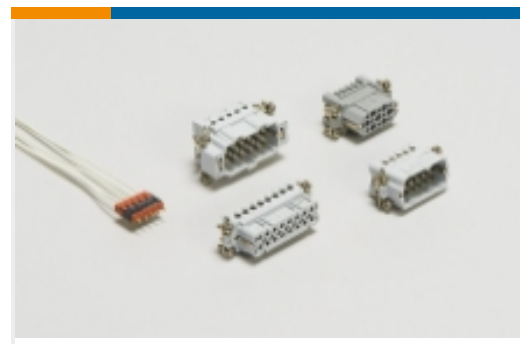


Also in the Series | AMP Metrimate





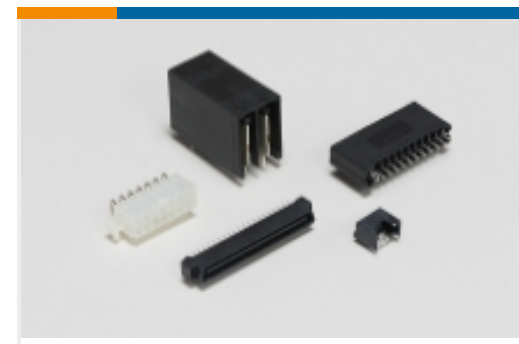
Rectangular Connector Keying Plugs(1)



Rectangular Contact Inserts(4)

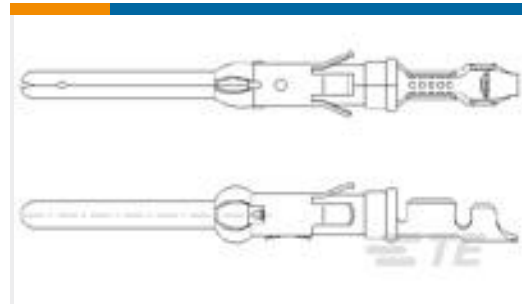


Rectangular Power Connectors(2)



Standard Rectangular Connectors(5)

Customers Also Bought



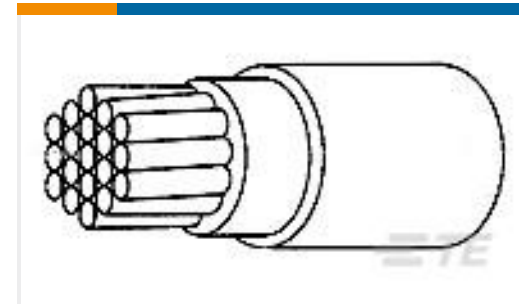
TE Part #163085-9
.062 DIA PIN ASS 3+



TE Part #1-281695-2
HEADER HE14 STRAIGHT 12 P



TE Part #1609112-3
10CE1 M0=F7804



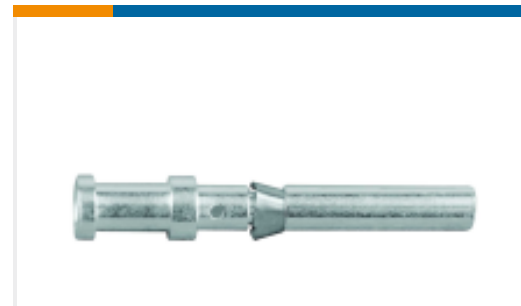
TE Part #1936113001
100G0111-2.50-9



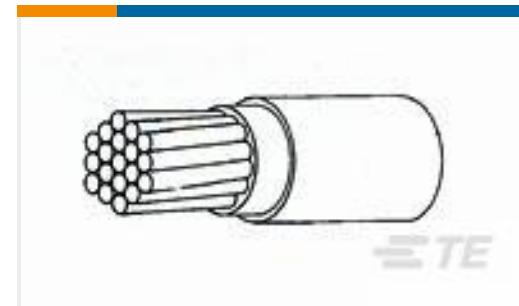
TE Part #CN9926-000
SBP100375WE2.5



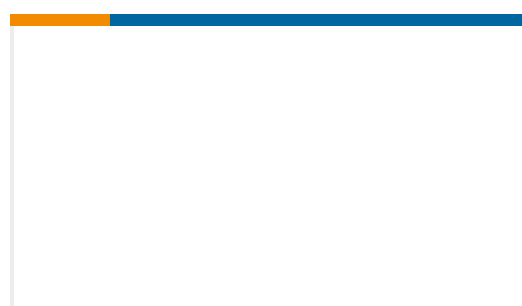
TE Part #207253-2
RECEPT ASSY,9 POSN,AMPLIMITE



TE Part #T2020002025-000
CDF-2.5



TE Part #282010-010
44A0111-18-0



TE Part #ZPF0000000000002998
548-0306-16



TE Part #CQ77993001
100G0111-1.00-9CK0226/1

Documents

Product Drawings

METRIMATE,STR REL KIT,36P

English

CAD Files

3D PDF

English

Customer View Model

ENG_CVM_207604-1_D.3d_igs.zip



English

Customer View Model

[ENG_CVM_207604-1_D.3d_stp.zip](#)

English

Customer View Model

[ENG_CVM_207604-1_D.2d_dxf.zip](#)

English

By downloading the CAD file I accept and agree to the [Terms and Conditions](#) of use.

Datasheets & Catalog Pages

[METRIMATE_PIN_SOCKET_CATALOG](#)

English

Product Specifications

[Application Specification](#)

English

[Application Specification](#)

English

[METRIMATE Self-Locking Connectors](#)

Japanese

[Application Specification](#)

Japanese

Product Environmental Compliance

[MD_207604-1_11102017625_dmtec](#)

English

[MD_207604-1_11102017625_dmtec](#)

English

Instruction Sheets

[Instruction Sheet \(U.S.\)](#)

English

Agency Approvals

[CSA Certificate](#)

English