



Connectors > Connector Accessories > Connector Strain Relief



Strain Relief Accessory Type: **Strain Relief Cover**

Primary Product Material: **Nylon**

Primary Product Color: **Black**

Number of Positions: **12**

Sealable: **No**

Features

Product Type Features

Strain Relief Accessory Type	Strain Relief Cover
Sealable	No

Configuration Features

Number of Positions	12
---------------------	----

Body Features

Primary Product Material	Nylon
Primary Product Color	Black

Usage Conditions

Operating Temperature Range	-55 – 130 °C[-67 – 266 °F]
-----------------------------	----------------------------

Industry Standards

Agency/Standard	CSA, UL, VDE
-----------------	--------------

Packaging Features

Packaging Method	Bag
Packaging Quantity	1

Product Compliance

[For compliance documentation, visit the product page on TE.com>](#)

EU RoHS Directive 2011/65/EU	Compliant
EU ELV Directive 2000/53/EC	Compliant
China RoHS 2 Directive MIIT Order No 32, 2016	No Restricted Materials Above Threshold
EU REACH Regulation (EC) No. 1907/2006	Current ECHA Candidate List: JUNE 2023 (235) Candidate List Declared Against: JUNE 2023 (235) Does not contain REACH SVHC
Halogen Content	Not Low Halogen - contains Br or Cl > 900 ppm.
Solder Process Capability	Not applicable for solder process capability

Product Compliance Disclaimer

This information is provided based on reasonable inquiry of our suppliers and represents our current actual knowledge based on the information they provided. This information is subject to change. The part numbers that TE has identified as EU RoHS compliant have a maximum concentration of 0.1% by weight in homogenous materials for lead, hexavalent chromium, mercury, PBB, PBDE, DBP, BBP, DEHP, DIBP, and 0.01% for cadmium, or qualify for an exemption to these limits as defined in the Annexes of Directive 2011/65/EU (RoHS2). Finished electrical and electronic equipment products will be CE marked as required by Directive 2011/65/EU. Components may not be CE marked. Additionally, the part numbers that TE has identified as EU ELV compliant have a maximum concentration of 0.1% by weight in homogenous materials for lead, hexavalent chromium, and mercury, and 0.01% for cadmium, or qualify for an exemption to these limits as defined in the Annexes of Directive 2000/53/EC (ELV). Regarding the REACH Regulation, the information TE provides on SVHC in articles for this part number is based on the latest European Chemicals Agency (ECHA) 'Guidance on requirements for substances in articles' posted at this URL: <https://echa.europa.eu/guidance-documents/guidance-on-reach>

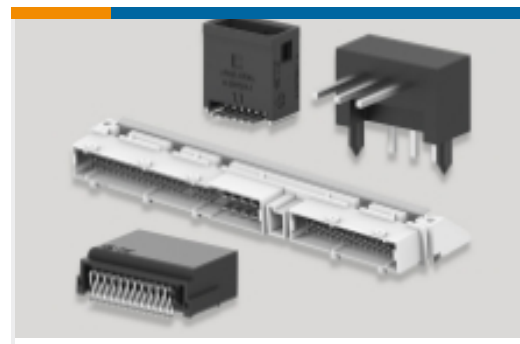
Compatible Parts



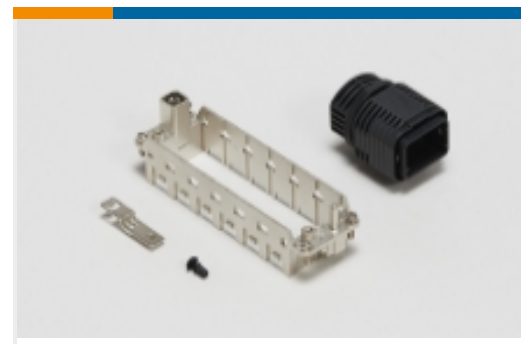
Also in the Series | [AMP Metrimate](#)



Connector Strain Relief(5)



PCB Headers & Receptacles(83)



Rectangular Connector Hardware(3)



Rectangular Connector Housings(35)



Rectangular Connector Keying Plugs(1)



Rectangular Contact Inserts(4)



Rectangular Power Connectors(2)



Standard Rectangular Connectors(5)

Customers Also Bought



TE Part #183040-1
CPC SQ.FL.RCPT STD SEX SIZE



TE Part #1-66360-6
III+SKT,18-14,TIN STRIP LP



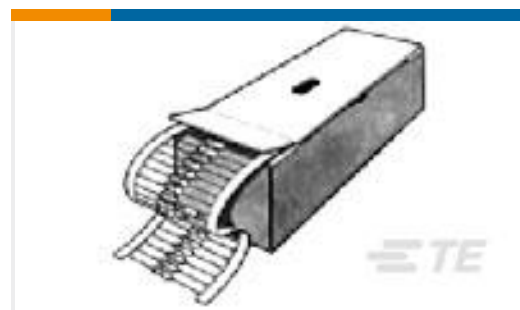
TE Part #207604-1
METRIMATE,STR REL KIT,36P



TE Part #1-794610-2
MICRO MNL RPT CNT,LS PC 30AU L



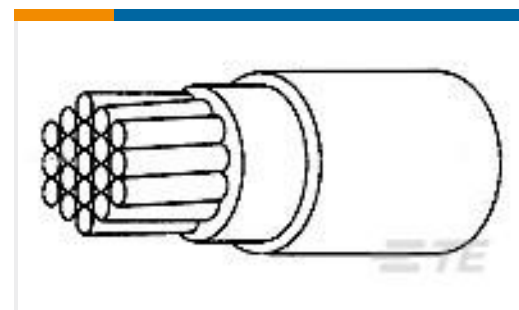
TE Part #1445022-4
MICRO MNL RFCEPT HSG SINGLE R



TE Part #2176045-6
EP 5W 47R 5%



TE Part #709821-3
XCT 150-12



TE Part #3030213001
100G0111-1.50-9



TE Part #615595-000
B-150-07-S



TE Part #206805-2
AMPLIMITE RECEPT ASY,50 POS,

Documents



Product Drawings

METRIMATE,STR REL KIT,12P

English

CAD Files

3D PDF

English

Customer View Model

[ENG_CVM_207602-1_D.3d_igs.zip](#)

English

Customer View Model

[ENG_CVM_207602-1_D.3d_stp.zip](#)

English

Customer View Model

[ENG_CVM_207602-1_D.2d_dxf.zip](#)

English

By downloading the CAD file I accept and agree to the [Terms and Conditions](#) of use.

Datasheets & Catalog Pages

METRIMATE_PIN_SOCKET_CATALOG

English

Product Specifications

Application Specification

English

Application Specification

English

METRIMATE Self-Locking Connectors

Japanese

Application Specification

Japanese

Product Environmental Compliance

MD_207602-1_08252016121_dmtec

English

MD_207602-1_08252016121_dmtec

English

Instruction Sheets

Instruction Sheet (U.S.)

English

Agency Approvals

CSA Certificate

English