



Connectors > Connector Accessories > Connector Caps & Covers



Connector Cover Type: **Strain Relief Cover**

Primary Product Color: **Black**

Primary Product Material: **Nylon**

Number of Positions: **6**

Operating Temperature (Max): **130 °C [266 °F]**

Features

Product Type Features

Connector Cover Type	Strain Relief Cover
Sealable	No

Configuration Features

Number of Positions	6
---------------------	---

Body Features

Primary Product Color	Black
Primary Product Material	Nylon

Mechanical Attachment

Strain Relief	With
---------------	------

Usage Conditions

Operating Temperature (Max)	130 °C[266 °F]
Operating Temperature Range	-55 – 130 °C[-67 – 266 °F]

Industry Standards

Agency/Standard	CSA, UL, VDE
-----------------	--------------

Packaging Features

Packaging Quantity	1
Packaging Method	Bag

Product Compliance

[For compliance documentation, visit the product page on TE.com>](#)

EU RoHS Directive 2011/65/EU	Compliant
EU ELV Directive 2000/53/EC	Compliant
China RoHS 2 Directive MIIT Order No 32, 2016	No Restricted Materials Above Threshold
EU REACH Regulation (EC) No. 1907/2006	Current ECHA Candidate List: JUNE 2023 (235) Candidate List Declared Against: JUNE 2023 (235) Does not contain REACH SVHC
Halogen Content	Not Low Halogen - contains Br or Cl > 900 ppm.
Solder Process Capability	Not applicable for solder process capability

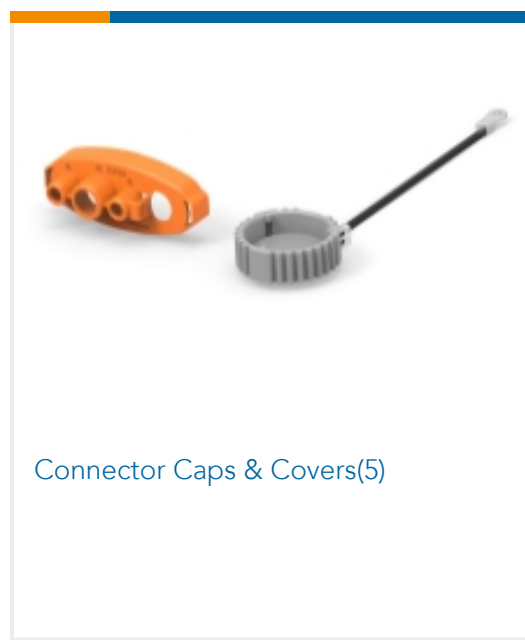
Product Compliance Disclaimer

This information is provided based on reasonable inquiry of our suppliers and represents our current actual knowledge based on the information they provided. This information is subject to change. The part numbers that TE has identified as EU RoHS compliant have a maximum concentration of 0.1% by weight in homogenous materials for lead, hexavalent chromium, mercury, PBB, PBDE, DBP, BBP, DEHP, DIBP, and 0.01% for cadmium, or qualify for an exemption to these limits as defined in the Annexes of Directive 2011/65/EU (RoHS2). Finished electrical and electronic equipment products will be CE marked as required by Directive 2011/65/EU. Components may not be CE marked. Additionally, the part numbers that TE has identified as EU ELV compliant have a maximum concentration of 0.1% by weight in homogenous materials for lead, hexavalent chromium, and mercury, and 0.01% for cadmium, or qualify for an exemption to these limits as defined in the Annexes of Directive 2000/53/EC (ELV). Regarding the REACH Regulation, the information TE provides on SVHC in articles for this part number is based on the latest European Chemicals Agency (ECHA) 'Guidance on requirements for substances in articles' posted at this URL: <https://echa.europa.eu/guidance-documents/guidance-on-reach>

Compatible Parts



Also in the Series | [AMP Metrimate](#)



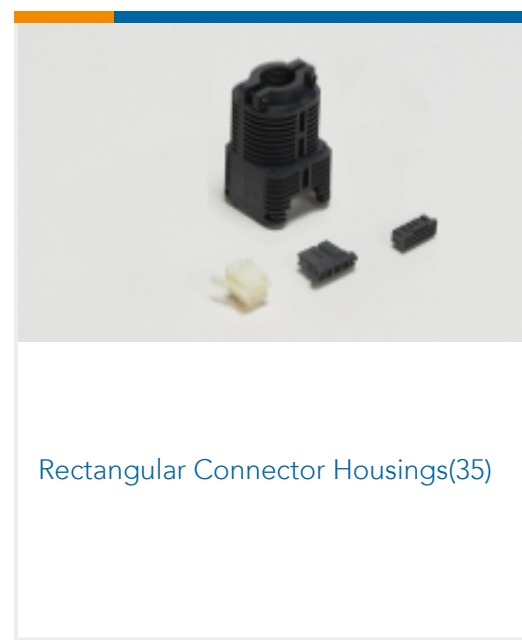
Connector Caps & Covers(5)



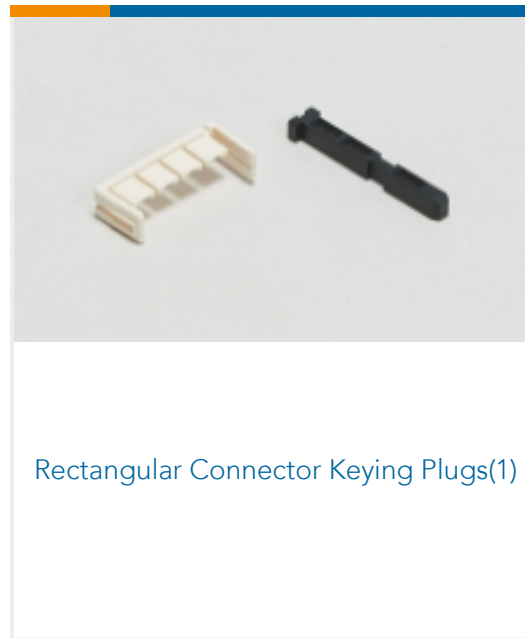
PCB Headers & Receptacles(83)



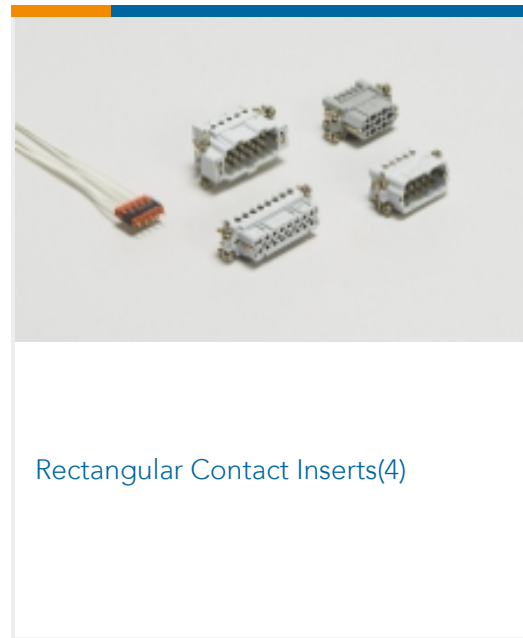
Rectangular Connector Hardware(3)



Rectangular Connector Housings(35)



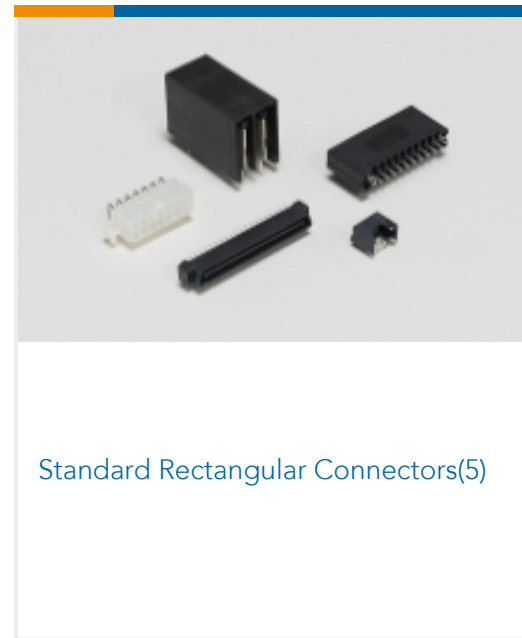
Rectangular Connector Keying Plugs(1)



Rectangular Contact Inserts(4)

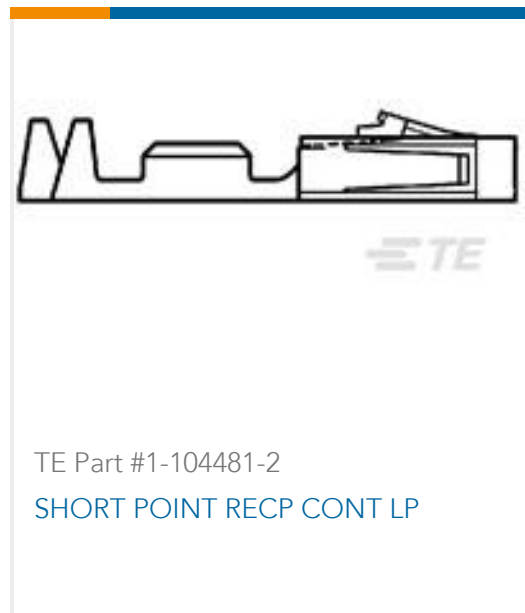


Rectangular Power Connectors(2)

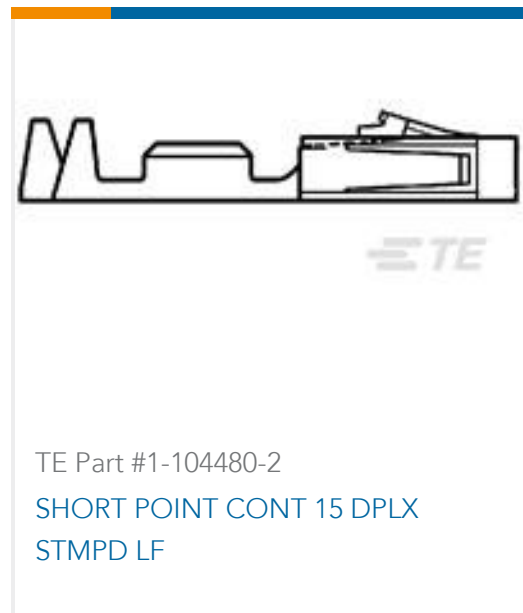


Standard Rectangular Connectors(5)

Customers Also Bought



TE Part #1-104481-2
SHORT POINT RECP CONT LP



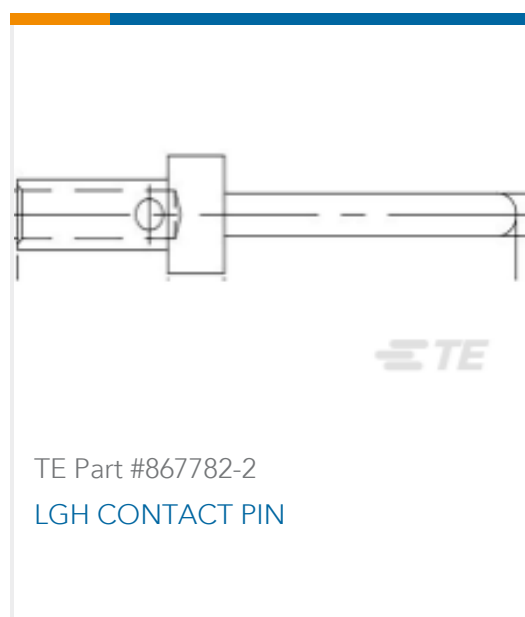
TE Part #1-104480-2
SHORT POINT CONT 15 DPLX
STMPD LF



TE Part #5206478-3
CLAMSHELL SIZE 3 W/RETAINER



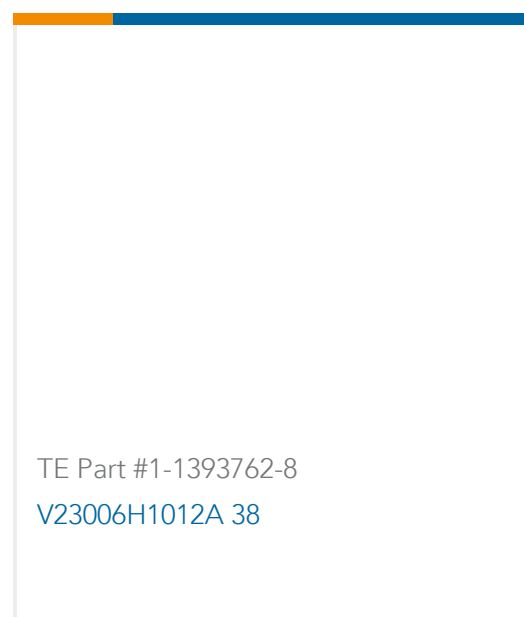
TE Part #1393808-4
V23154D 703F104



TE Part #867782-2
LGH CONTACT PIN



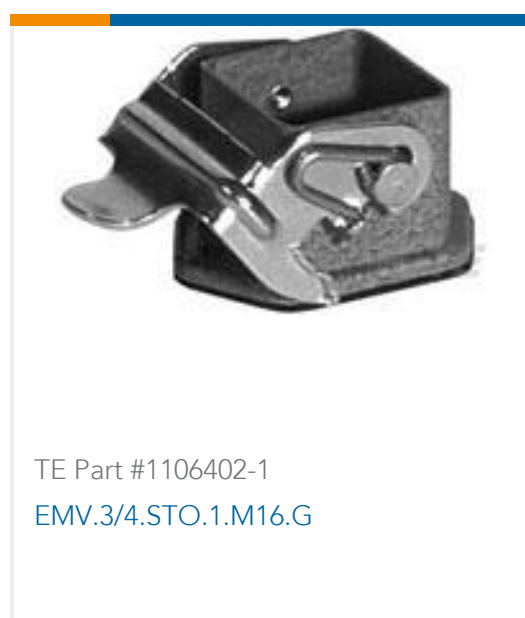
TE Part #3-1105301-2
HVT-C-Bu.Au.1,5 qmm



TE Part #1-1393762-8
V23006H1012A 38



TE Part #2-1103202-3
HN.2.D.24.BU.C.



TE Part #1106402-1
EMV.3/4.STO.1.M16.G



TE Part #2-1104034-3
HVT.35.BU.C.SO-SB

Documents



Product Drawings

METRIMATE,STR REL KIT,6P

English

CAD Files

3D PDF

English

Customer View Model

[ENG_CVM_207600-1_F.3d_igs.zip](#)

English

Customer View Model

[ENG_CVM_207600-1_F.3d_stp.zip](#)

English

Customer View Model

[ENG_CVM_207600-1_F.2d_dxf.zip](#)

English

3D PDF

3D

Customer View Model

[ENG_CVM_CVM_207600-1_D.2d_dxf.zip](#)

English

Customer View Model

[ENG_CVM_CVM_207600-1_D.3d_igs.zip](#)

English

Customer View Model

[ENG_CVM_CVM_207600-1_D.3d_stp.zip](#)

English

By downloading the CAD file I accept and agree to the [Terms and Conditions](#) of use.

Datasheets & Catalog Pages

METRIMATE_PIN_SOCKET_CATALOG

English

Product Specifications

Application Specification

English

Application Specification

English

METRIMATE Self-Locking Connectors

Japanese

Application Specification

Japanese

Product Environmental Compliance

TE Material Declaration

English



[MD_207600-1_08252016121_dmtec](#)

English

[MD_207600-1_08252016121_dmtec](#)

English

Instruction Sheets

[Instruction Sheet \(U.S.\)](#)

English

Agency Approvals

[CSA Certificate](#)

English