

207463-1 ✓ ACTIVE

AMPLIMITE

TE Internal #: 207463-1

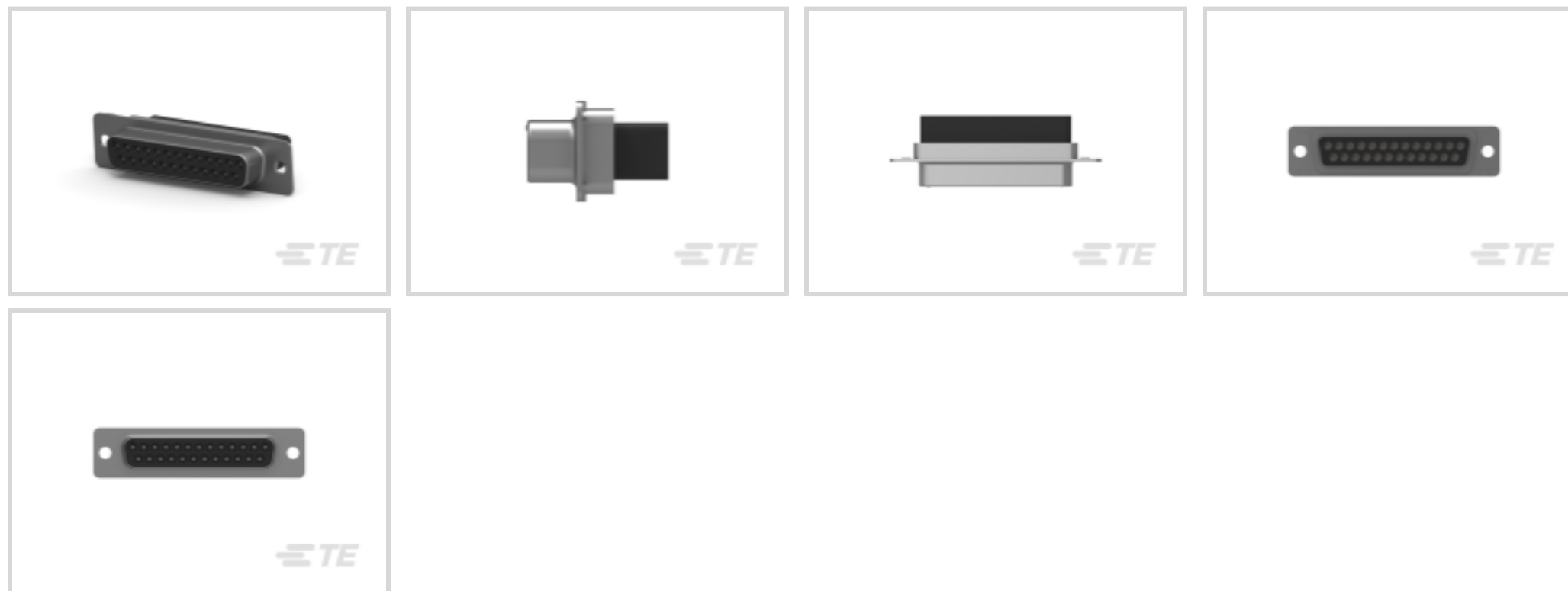
Crimp D-Sub Connectors, Receptacle, Cable-to-Cable, 25 Position,
Contact Size Size 20, 3 Connector Shell Size, Mating Retention,
Shielded

[View on TE.com >](#)



[Connectors >](#) [D-Shaped Connectors >](#) [D-Sub Connectors >](#) [Crimp D-Sub Connectors >](#)

[D-Sub Crimp Recpt Signal 25 Posn, Socket Size 20, Shell Size 3](#)



Connector & Housing Type: **Receptacle**

Connector System: **Cable-to-Cable**

Number of Positions: **25**

Contact Size: **Size 20**

Connector Shell Size: **3**

[All D-Sub Crimp Recpt Signal 25 Posn, Socket Size 20, Shell Size 3 \(10\)](#)

Features

Product Type Features

Shell Material Configuration	Full Metal Shell
Connector & Housing Type	Receptacle
Connector System	Cable-to-Cable
Connector Shell Size	3
Sealable	No
Connector & Contact Terminates To	Wire & Cable

Configuration Features

Number of Positions	25
---------------------	----

Body Features

Insert Material	Thermoplastic
Shield Plating Material	Tin
Shield Material	Steel



Shell Plating Material	Tin
------------------------	-----

Contact Features

Contact Size	Size 20
--------------	---------

Mechanical Attachment

Mating Retention	With
------------------	------

Mating Retention Type	Mounting Holes
-----------------------	----------------

Housing Features

Shell Material	Steel
----------------	-------

Centerline (Pitch)	2.74 mm [.108 in]
--------------------	-------------------

Usage Conditions

Operating Temperature Range	-55 – 105 °C [-67 – 221 °F]
-----------------------------	-----------------------------

Operation/Application

Shielded	Yes
----------	-----

Circuit Application	Signal
---------------------	--------

Industry Standards

UL Flammability Rating	UL 94V-0
------------------------	----------

Packaging Features

Packaging Quantity	400
--------------------	-----

Packaging Method	Package
------------------	---------

Other

D-Shaped Connectors Comment	Receptacles accept size 20 DF socket contacts.
-----------------------------	--

Product Compliance

[For compliance documentation, visit the product page on TE.com>](#)

EU RoHS Directive 2011/65/EU	Compliant
------------------------------	-----------

EU ELV Directive 2000/53/EC	Compliant
-----------------------------	-----------

China RoHS 2 Directive MIIT Order No 32, 2016	No Restricted Materials Above Threshold
---	---

EU REACH Regulation (EC) No. 1907/2006	Current ECHA Candidate List: JUNE 2023 (235) Candidate List Declared Against: JUNE 2023 (235) Does not contain REACH SVHC
--	---



Halogen Content Not Low Halogen - contains Br or Cl > 900 ppm.

Solder Process Capability Not applicable for solder process capability

Product Compliance Disclaimer

This information is provided based on reasonable inquiry of our suppliers and represents our current actual knowledge based on the information they provided. This information is subject to change. The part numbers that TE has identified as EU RoHS compliant have a maximum concentration of 0.1% by weight in homogenous materials for lead, hexavalent chromium, mercury, PBB, PBDE, DBP, BBP, DEHP, DIBP, and 0.01% for cadmium, or qualify for an exemption to these limits as defined in the Annexes of Directive 2011/65/EU (RoHS2). Finished electrical and electronic equipment products will be CE marked as required by Directive 2011/65/EU. Components may not be CE marked. Additionally, the part numbers that TE has identified as EU ELV compliant have a maximum concentration of 0.1% by weight in homogenous materials for lead, hexavalent chromium, and mercury, and 0.01% for cadmium, or qualify for an exemption to these limits as defined in the Annexes of Directive 2000/53/EC (ELV). Regarding the REACH Regulation, the information TE provides on SVHC in articles for this part number is based on the latest European Chemicals Agency (ECHA) 'Guidance on requirements for substances in articles' posted at this URL: <https://echa.europa.eu/guidance-documents/guidance-on-reach>

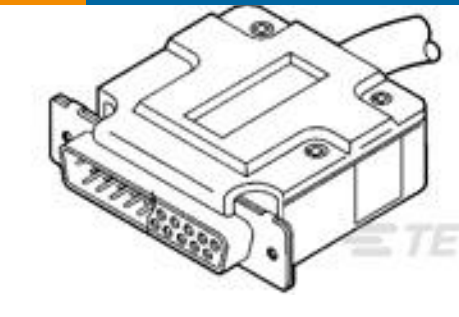
Compatible Parts



TE Part # CAT-035-DCPPS203
D-Sub Crimp: Plug, Signal, 25 Posn, Pin Size 20, Shell Size 3



TE Part # CAT-035-DCRSS203
D-Sub Crimp Recept Signal 25 Posn, Socket Size 20, Shell Size 3



TE Part # 207345-2
CABLE CLAMP ASSY,SZ 3,BULK PKG



TE Part # 206509-1
SIZE 20 KEYING PLUG



TE Part # 5749626-2
AMPLI CABLE CLAMP KIT,SZ 3



TE Part # 1888307-1
CRIMP SNAP PLUG ASSY,SZ 3

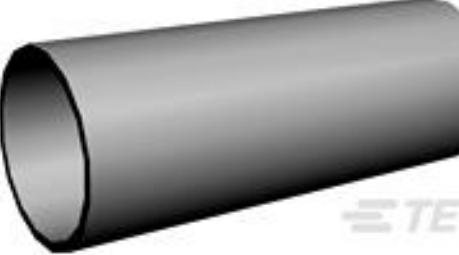
Customers Also Bought



TE Part #205203-3
CRIMP SNAP RCPT ASSY,SIZE 1



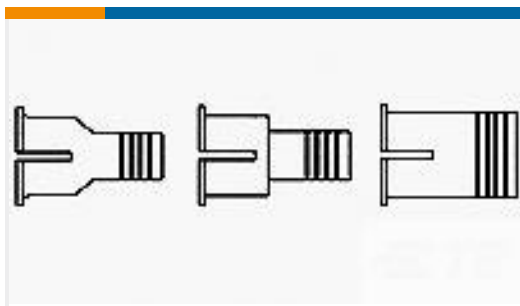
TE Part #205204-4
CRIMP SNAP PLUG ASSY,SIZE 1



TE Part #4-745130-2
SHLDING FERRULE,PLTD,BULK PKG



TE Part #EL8074-000
Continuous Tube High Temperature HT-CT



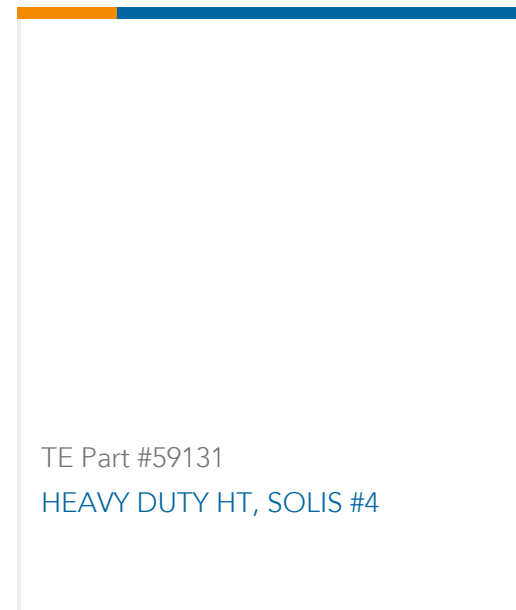
TE Part #7-745129-4
SHLDING FERRULE,PLTD,BULK PKG



TE Part #2271500-1
34 PLUG KIT,M-SER,CC,JS,W/HOOD



TE Part #4-1423159-7
7012RHC696=RLY,STD,ON,2P,60VD



TE Part #59131
HEAVY DUTY HT, SOLIS #4



TE Part #YDIV46E25-19PA6139
DIV46E25-19PA-6139

Documents

Product Drawings

CRIMP SNAP RCPT ASSY,SZ 3

English

CAD Files

3D PDF

English

Customer View Model

[ENG_CVM_207463-1_D.2d_dxf.zip](#)

English

Customer View Model

[ENG_CVM_207463-1_D.3d_igs.zip](#)

English

Customer View Model

[ENG_CVM_207463-1_D.3d_stp.zip](#)

English

By downloading the CAD file I accept and agree to the [Terms and Conditions](#) of use.

Datasheets & Catalog Pages

AMPLIMITE Subminiature D Connectors - Cable Connectors

English

AMPLIMITE Cable Connectors and Shielding Hardware Kits QRG

English

Product Specifications

Application Specification

English



Product Environmental Compliance

[Product Compliance Document](#)

English

[Product Compliance Document](#)

English

Instruction Sheets

[Instruction Sheet \(U.S.\)](#)

English

Agency Approvals

[UL Report](#)

English