

207235-1 ✓ ACTIVE

AMP | AMP M Series

TE Internal #: 207235-1

Rectangular Connector Hardware, Jackscrew Kit, Turnable, Female Jackscrew, 42 / 50 / 12 Position, -55 – 150 °C [-67 – 302 °F], AMP M Series

[View on TE.com >](#)



Connectors > Rectangular Connectors > Rectangular Connector Accessories > Rectangular Connector Hardware



Connector Hardware Type: **Jackscrew Kit**

Jackscrew Type: **Turnable**

Jackscrew Style: **Female**

Number of Positions: **12, 28, 42, 50, 75, 104**

Operating Temperature Range: **-55 – 150 °C [-67 – 302 °F]**

## Features

### Configuration Features

Number of Positions	12, 28, 42, 50, 75, 104
---------------------	-------------------------

### Body Features

Thread Lead Type	Single
Primary Product Material	Stainless Steel, Zinc Alloy

### Mechanical Attachment

Product Plating Finish	Hexavalent Chromate
Strain Relief	Without
Mounting Hardware	Jackscrew Tip Female and Spirol Pin
Thread Size	6-32 [M3.5 x .6]
Connector Hardware Type	Jackscrew Kit
Jackscrew Type	Turnable
Jackscrew Style	Female

### Dimensions

Product Width	7.92 mm [.312 in]
---------------	-------------------



Product Length	81.44 mm[3.206 in]
----------------	--------------------

Product Height	7.92 mm[.312 in]
----------------	------------------

### Usage Conditions

Operating Temperature Range	-55 – 150 °C[-67 – 302 °F]
-----------------------------	----------------------------

### Packaging Features

Packaging Quantity	1
--------------------	---

Packaging Method	Bag
------------------	-----

### Other

Connector Accessory Comment	Two required., Use turnable jackscrews on mating housings when mating to grounding block.
-----------------------------	---

## Product Compliance

[For compliance documentation, visit the product page on TE.com>](#)

EU RoHS Directive 2011/65/EU	Not Compliant
------------------------------	---------------

EU ELV Directive 2000/53/EC	Not Compliant
-----------------------------	---------------

China RoHS 2 Directive MIIT Order No 32, 2016	Restricted Materials Above Threshold
---	--------------------------------------

EU REACH Regulation (EC) No. 1907/2006	Current ECHA Candidate List: JUNE 2023 (235) Candidate List Declared Against: JUNE 2023 (235) Does not contain REACH SVHC
--	---

Halogen Content	Low Halogen - Br, Cl, F, I < 900 ppm per homogenous material. Also BFR/CFR/PVC Free
-----------------	---

Solder Process Capability	Not applicable for solder process capability
---------------------------	--

#### Product Compliance Disclaimer

This information is provided based on reasonable inquiry of our suppliers and represents our current actual knowledge based on the information they provided. This information is subject to change. The part numbers that TE has identified as EU RoHS compliant have a maximum concentration of 0.1% by weight in homogenous materials for lead, hexavalent chromium, mercury, PBB, PBDE, DBP, BBP, DEHP, DIBP, and 0.01% for cadmium, or qualify for an exemption to these limits as defined in the Annexes of Directive 2011/65/EU (RoHS2). Finished electrical and electronic equipment products will be CE marked as required by Directive 2011/65/EU. Components may not be CE marked. Additionally, the part numbers that TE has identified as EU ELV compliant have a maximum concentration of 0.1% by weight in homogenous materials for lead, hexavalent chromium, and mercury, and 0.01% for cadmium, or qualify for an exemption to these limits as defined in the Annexes of Directive 2000/53/EC (ELV). Regarding the REACH Regulation, the information TE provides on SVHC in articles for this part number is based on the latest European Chemicals Agency (ECHA) 'Guidance on requirements for substances in articles' posted at this URL: <https://echa.europa.eu/guidance-documents/guidance-on-reach>



### Compatible Parts



TE Part # 207234-1  
UNASSM JS KIT, M SERIES



TE Part # 7-170995-1  
JACK SCREW FEMALE

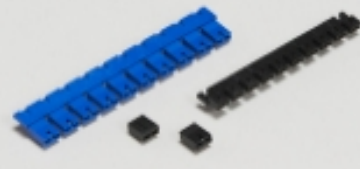


TE Part # 7-170995-2  
JACK SCREW FEMALE ASSY



TE Part # 7-170995-3  
M SERIES JACK SCREW ASSY

### Also in the Series | AMP M Series




Board-to-Board Jumpers & Shunts(7)



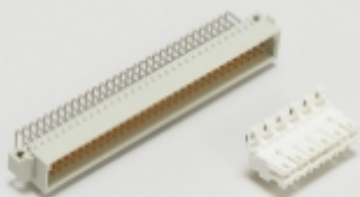
Rack & Panel Connectors(1)



Rectangular Connector Hardware(51)



Rectangular Power Connectors(66)



Standard Edge Connectors(2)

### Customers Also Bought



TE Part #5499374-4  
A/L UNIV HDR 20P VERT SHT LAT



TE Part #917485-5  
DYNAMIC D-3 TAB CONT. 2L PRE-TIN



TE Part #1-281695-2  
HEADER HE14 STRAIGHT 12 P



TE Part #5786555-5  
50 50SR VRT RCPT, FL TOP, ACT PN



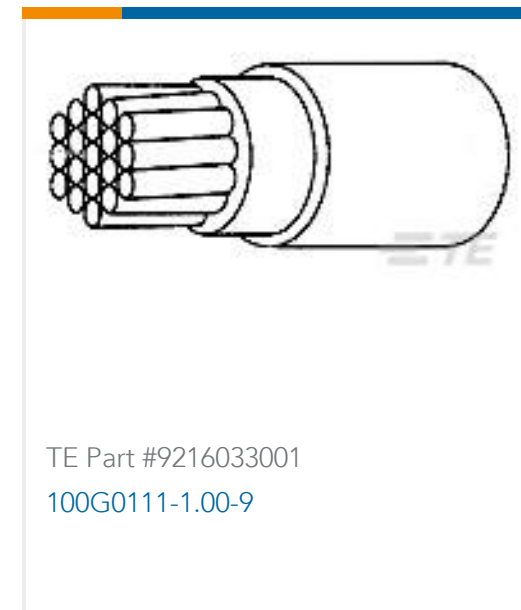
TE Part #1-102387-1  
60 MODIV HSG COMP DR .100 POL



TE Part #201358-1  
MALE BLOCK 50 PL. SER. "M"



TE Part #201047-2  
SERIES "M" ST. STL. GUIDE SOC.



TE Part #9216033001  
100G0111-1.00-9



TE Part #2170668-1  
ANGLED ENTRY JACK, SHIELDED  
RJ45

## Documents

### Product Drawings

#### UNASSM JS KIT,M SERIES

English

### CAD Files

#### Customer View Model

[ENG\\_CVM\\_CVM\\_207235-1\\_D.3d\\_stp.zip](#)

English

#### Customer View Model

[ENG\\_CVM\\_CVM\\_207235-1\\_D.2d\\_dxf.zip](#)

English

#### Customer View Model

[ENG\\_CVM\\_CVM\\_207235-1\\_D.3d\\_igs.zip](#)

English

### 3D PDF

3D

By downloading the CAD file I accept and agree to the [Terms and Conditions](#) of use.

### Datasheets & Catalog Pages

#### M\_SERIES\_PIN\_AND\_SOCKET\_CONNECTORS

English

### Product Environmental Compliance

#### Product Compliance

English

#### Product Compliance

English

