

TE Internal #: 2071507-1

Power Relays, Standard, Monostable, DC, 450 mW Coil Power Rating DC, 320 Ω Coil Resistance, UL Coil Insulation Class F, 12 VDC Coil Voltage

[View on TE.com >](#)

Relays, Contactors & Switches > Relays > Power Relays

Power Relay Type: **Standard**Coil Magnetic System: **Monostable, DC**Coil Power Rating DC: **450 mW**Coil Resistance: **320 Ω** Coil Special Features: **UL Coil Insulation Class F**

Features

Product Type Features

Power Relay Type	Standard
------------------	----------

Electrical Characteristics

Contact Limiting Short-Time Current	10 A
Insulation Creepage Class	5.5 – 8 mm
Contact Limiting Continuous Current	10 A
Insulation Initial Dielectric Between Open Contacts	750 Vrms
Coil Power Rating Class	400 – 500 mW
Contact Limiting Making Current	10 A
Insulation Initial Dielectric Between Contacts & Coil	4000 Vrms
Insulation Creepage Between Contact & Coil	9.4 mm
Contact Limiting Breaking Current	10 A
Coil Magnetic System	Monostable, DC
Coil Power Rating DC	450 mW
Coil Resistance	320 Ω
Coil Special Features	UL Coil Insulation Class F
Coil Voltage Rating	12 VDC
Contact Switching Load (Min)	100mA @ 5V
Contact Switching Voltage (Max)	250 VAC



Contact Voltage Rating	250 VAC
------------------------	---------

Body Features

Product Weight	6.5 g
----------------	-------

Case Color	Black
------------	-------

Contact Features

Contact Arrangement	1 Form A (NO)
---------------------	---------------

Contact Current Class	5 – 10 A
-----------------------	----------

Contact Current Rating (Max)	10 A
------------------------------	------

Contact Material	AgSnO
------------------	-------

Contact Number of Poles	1
-------------------------	---

Relay Terminal Type	PCB-THT
---------------------	---------

Termination Features

Relay Termination Type	Printed Circuit Terminals
------------------------	---------------------------

Mechanical Attachment

Relay Mounting Type	Printed Circuit Board
---------------------	-----------------------

Dimensions

Product Width	10.2 mm
---------------	---------

Product Length	18.2 mm
----------------	---------

Product Height	15.2 mm
----------------	---------

Usage Conditions

Environmental Ambient Temperature (Max)	85 °C
---	-------

Operating Temperature Range	-30 – 85 °C
-----------------------------	-------------

Packaging Features

Packaging Method	Box & Tray
------------------	------------

Product Compliance

[For compliance documentation, visit the product page on TE.com>](#)

EU RoHS Directive 2011/65/EU	Compliant
------------------------------	-----------

EU ELV Directive 2000/53/EC	Compliant
-----------------------------	-----------

China RoHS 2 Directive MIIT Order No 32, 2016	No Restricted Materials Above Threshold
---	---

EU REACH Regulation (EC) No. 1907/2006	Current ECHA Candidate List: JUNE 2023 (235)
--	--



Candidate List Declared Against: JUNE 2023 (235)
Does not contain REACH SVHC

Halogen Content	Not Low Halogen - contains Br or Cl > 900 ppm.
Solder Process Capability	Not reviewed for solder process capability



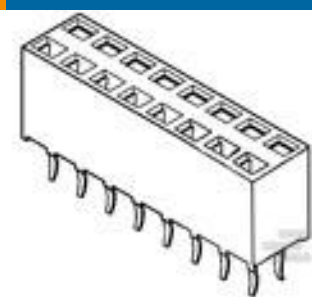

Product Compliance Disclaimer

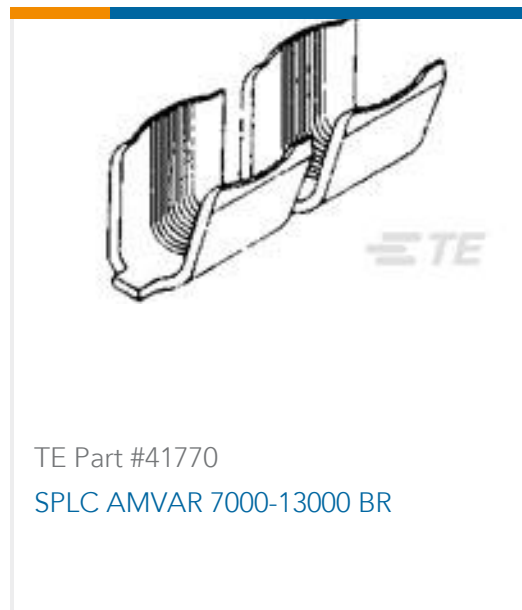
This information is provided based on reasonable inquiry of our suppliers and represents our current actual knowledge based on the information they provided. This information is subject to change. The part numbers that TE has identified as EU RoHS compliant have a maximum concentration of 0.1% by weight in homogenous materials for lead, hexavalent chromium, mercury, PBB, PBDE, DBP, BBP, DEHP, DIBP, and 0.01% for cadmium, or qualify for an exemption to these limits as defined in the Annexes of Directive 2011/65/EU (RoHS2). Finished electrical and electronic equipment products will be CE marked as required by Directive 2011/65/EU. Components may not be CE marked. Additionally, the part numbers that TE has identified as EU ELV compliant have a maximum concentration of 0.1% by weight in homogenous materials for lead, hexavalent chromium, and mercury, and 0.01% for cadmium, or qualify for an exemption to these limits as defined in the Annexes of Directive 2000/53/EC (ELV). Regarding the REACH Regulation, the information TE provides on SVHC in articles for this part number is based on the latest European Chemicals Agency (ECHA) 'Guidance on requirements for substances in articles' posted at this URL: <https://echa.europa.eu/guidance-documents/guidance-on-reach>

Compatible Parts

 <p>TE Part # CAT-OE4-OJ1 STD OEG Miniature PCB OJ/OJE Pow Relays</p>	 <p>TE Part # 1-1461116-3 OJT-SS-112DM,000</p>	 <p>TE Part # 2071508-1 OJT-SS-105HM,00000</p>	 <p>TE Part # 2071509-1 OJT-SS-124HM,00000</p>
--	---	---	---

Customers Also Bought

 <p>TE Part #1-1546406-1 ETHERNET CLOSURE CAP RECPT W /LANYRD</p>	 <p>TE Part #87220-2 02 MODII HDR SRST UNSHRD .100</p>	 <p>TE Part #215309-4 2X4P HV100 REC CON. TE, 8.5MM</p>	 <p>TE Part #1445049-3 FREE HANG SNGL ROW HSG 3 POS</p>
--	---	--	--



Documents

CAD Files

3D PDF

3D

Customer View Model

[ENG_CVM_CVM_2071507-1_B.2d_dxf.zip](#)

English

Customer View Model

[ENG_CVM_CVM_2071507-1_B.3d_igs.zip](#)

English

Customer View Model

[ENG_CVM_CVM_2071507-1_B.3d_stp.zip](#)

English

By downloading the CAD file I accept and agree to the [Terms and Conditions](#) of use.

Datasheets & Catalog Pages

[OJT_TV-8_Rated_Relay_Flyer](#)

English

[OJT Series Relay Datasheet](#)

English

Product Specifications

[Definitions General Purpose Relays](#)

English

Product Environmental Compliance

[Product Compliance](#)

English



Product Compliance

English