

EW60-1A3-BL12D04,00000 ✓ ACTIVE

SCHRACK | TE EW60

TE Internal #: 2071366-1

Power Relays, Standard, Bistable, 1 Coil, 1500 mW Coil Power

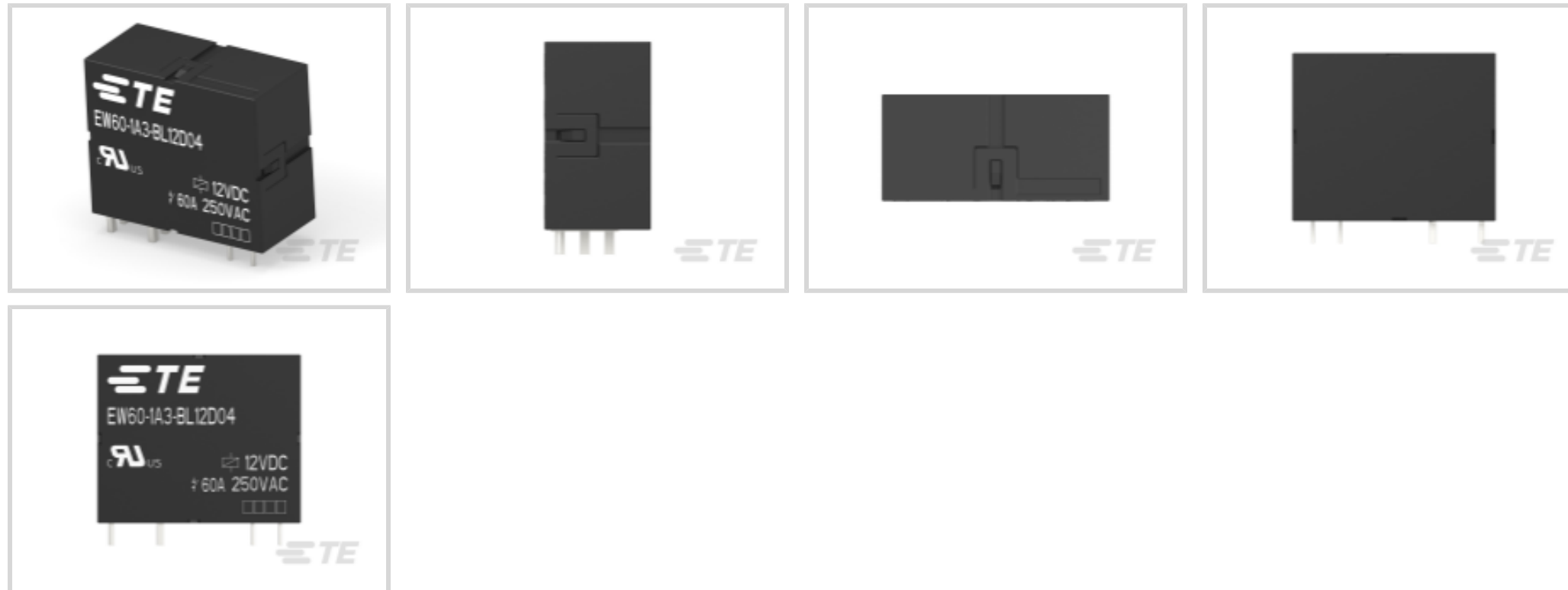
Rating DC, 96 Ω Coil Resistance, UL Coil Insulation Class F, 12 VDC

Coil Voltage, TE EW60

[View on TE.com >](#)



Relays, Contactors & Switches > Relays > Power Relays



Power Relay Type: **Standard**

Coil Magnetic System: **Bistable, 1 Coil**

Coil Power Rating DC: **1500 mW**

Coil Resistance: **96 Ω**

Coil Special Features: **UL Coil Insulation Class F**

Features

Product Type Features

Enclosure Type	Plastic Dust Cover
Output Type	AC
Power Relay Type	Standard

Configuration Features

Output Switching	Random
------------------	--------

Electrical Characteristics

Output Current Rating	0 – 60 Arms
Actuating System	DC
Insulation Initial Dielectric Between Open Contacts	1500 Vrms
Coil Power Rating	1.5 W
Insulation Creepage Class	8 mm
Insulation Initial Dielectric Between Adjacent Contacts	1500 Vrms
Insulation Initial Resistance	1000 M Ω
Insulation Initial Dielectric Between Contacts & Coil	4000 Vrms



Output Voltage (Max)	277 V
Insulation Creepage Between Contact & Coil	6 mm[.236 in]
Contact Limiting Continuous Current	60 A
Output Voltage Rating (AC Relays)	0 – 277 Vrms
Coil Magnetic System	Bistable, 1 Coil
Coil Power Rating DC	1500 mW
Coil Resistance	96 Ω
Coil Special Features	UL Coil Insulation Class F
Coil Voltage Rating	12 VDC
Contact Switching Voltage (Max)	480 VAC
Contact Voltage Rating	277 VAC

Body Features

Product Weight	37.5 g
Packaging Style	Panel Mount
Case Color	Black

Contact Features

Contact Plating Material	AgSnO
Switch Arrangement	1 Form A (SPST-NO)
Contact Arrangement	1 Form A (NO)
Contact Current Rating (Max)	60 A
Contact Material	AgSnO ₂
Contact Number of Poles	1
Relay Terminal Type	Solder

Termination Features

Relay Termination Type	Solder Hooks
------------------------	--------------

Dimensions

Length Class (Mechanical)	36.8 mm
Insulation Clearance Between Contact & Coil	6 mm
Insulation Clearance Class	5 – 8 mm
Product Width	17.2 mm[.68 in]
Product Length	36.8 mm[1.45 in]
Product Height	30.4 mm[1.2 in]



Usage Conditions

Environmental Ambient Temperature (Max)	85 °C[185 °F]
Operating Temperature Range	-40 – 85 °C[-40 – 185 °F]

Packaging Features

Packaging Method	Box & Tray
------------------	------------

Product Compliance

For compliance documentation, visit the product page on [TE.com](https://www.te.com)>

EU RoHS Directive 2011/65/EU	Compliant
EU ELV Directive 2000/53/EC	Compliant
China RoHS 2 Directive MIIT Order No 32, 2016	No Restricted Materials Above Threshold
EU REACH Regulation (EC) No. 1907/2006	Current ECHA Candidate List: JUNE 2023 (235) Candidate List Declared Against: JUL 2021 (219) Does not contain REACH SVHC
Halogen Content	Not Low Halogen - contains Br or Cl > 900 ppm.
Solder Process Capability	Wave solder capable to 265°C

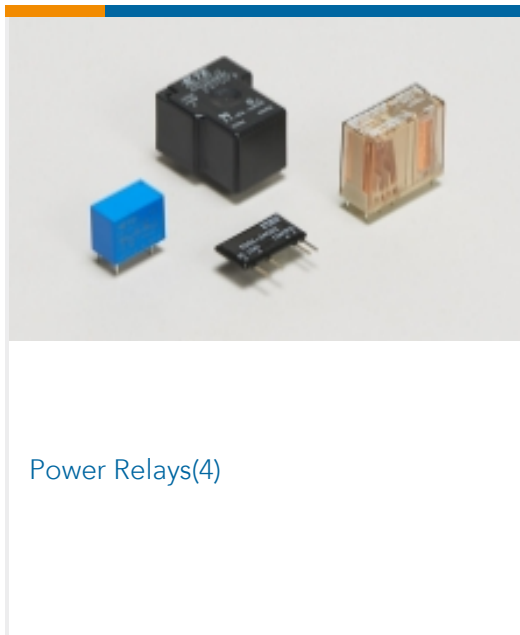
Product Compliance Disclaimer

This information is provided based on reasonable inquiry of our suppliers and represents our current actual knowledge based on the information they provided. This information is subject to change. The part numbers that TE has identified as EU RoHS compliant have a maximum concentration of 0.1% by weight in homogenous materials for lead, hexavalent chromium, mercury, PBB, PBDE, DBP, BBP, DEHP, DIBP, and 0.01% for cadmium, or qualify for an exemption to these limits as defined in the Annexes of Directive 2011/65/EU (RoHS2). Finished electrical and electronic equipment products will be CE marked as required by Directive 2011/65/EU. Components may not be CE marked. Additionally, the part numbers that TE has identified as EU ELV compliant have a maximum concentration of 0.1% by weight in homogenous materials for lead, hexavalent chromium, and mercury, and 0.01% for cadmium, or qualify for an exemption to these limits as defined in the Annexes of Directive 2000/53/EC (ELV). Regarding the REACH Regulation, the information TE provides on SVHC in articles for this part number is based on the latest European Chemicals Agency (ECHA) 'Guidance on requirements for substances in articles' posted at this URL: <https://echa.europa.eu/guidance-documents/guidance-on-reach>

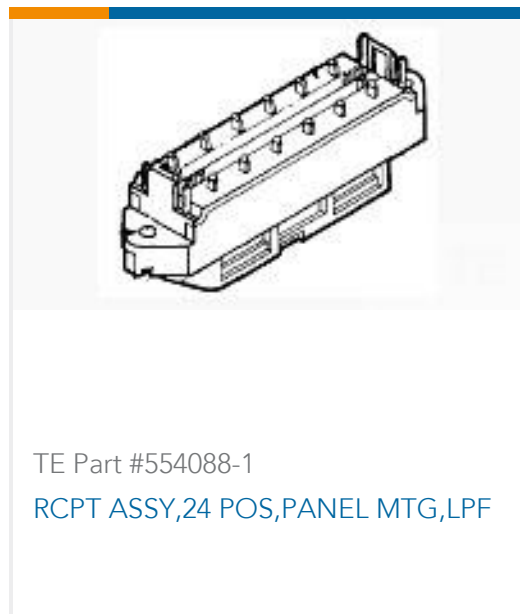
Compatible Parts



Also in the Series | TE EW60



Customers Also Bought



Documents

[CAD Files](#)

[3D PDF](#)

[3D](#)

[Customer View Model](#)

[ENG_CVM_CVM_2071366-1_C.2d_dxf.zip](#)

English



Customer View Model

[ENG_CVM_CVM_2071366-1_C.3d_igs.zip](#)

English

Customer View Model

[ENG_CVM_CVM_2071366-1_C.3d_stp.zip](#)

English

By downloading the CAD file I accept and agree to the [Terms and Conditions](#) of use.

Datasheets & Catalog Pages

[Datasheet - Ev Charging Relays Contactors](#)

English

[Lighting Relays Guide](#)

English

[EW60 Power Latching Relay Data Sheet](#)

English

[EW60 Relay flyer](#)

English

Product Specifications

[Definitions General Purpose Relays](#)

English

Agency Approvals

[VDE Certificate](#)

English

[VDE Certificate](#)

English