

206637-1 ✓ ACTIVE

AMP | AMP MR

TE Internal #: 206637-1

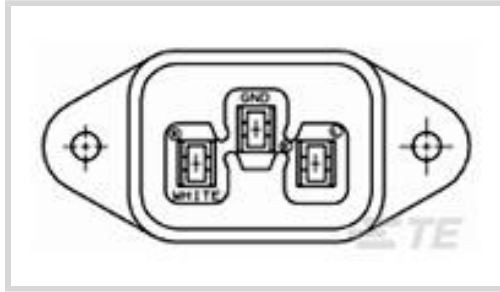
.5 – 2.5 mm², Black Cable, Thermoplastic, Black End A, 20 – 14

AWG, 1021 – 4106 CMA

[View on TE.com >](#)



Cable Assemblies > Copper Cable Assemblies > Power Cable Assemblies



Wire Size: 1021 – 4106 CMA

Cable Color: **Black**

Housing Material: **Thermoplastic**

Features

Body Features

Cable Color	Black
Connector Color (End A)	Black

Housing Features

Housing Material	Thermoplastic
------------------	---------------

Dimensions

Wire Size	1021 – 4106 CMA
-----------	-----------------

Industry Standards

UL Flammability Rating	UL 94V-0
------------------------	----------

Product Compliance

[For compliance documentation, visit the product page on TE.com>](#)

EU RoHS Directive 2011/65/EU	Compliant
EU ELV Directive 2000/53/EC	Compliant
China RoHS 2 Directive MIIT Order No 32, 2016	No Restricted Materials Above Threshold
EU REACH Regulation (EC) No. 1907/2006	Current ECHA Candidate List: JUNE 2023 (235) Candidate List Declared Against: JUNE 2023 (235) Does not contain REACH SVHC
Halogen Content	Not Low Halogen - contains Br or Cl > 900 ppm.
Solder Process Capability	Not applicable for solder process capability

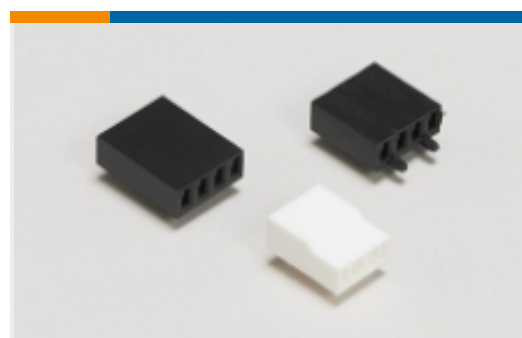
Product Compliance Disclaimer

This information is provided based on reasonable inquiry of our suppliers and represents our current actual knowledge based on the information they provided. This information is subject to change. The part numbers that TE has identified as EU RoHS compliant have a maximum concentration of 0.1% by weight in homogenous materials for lead, hexavalent chromium, mercury, PBB, PBDE, DBP, BBP, DEHP, DIBP, and 0.01% for cadmium, or qualify for an exemption to these limits as defined in the Annexes of Directive 2011/65/EU (RoHS2). Finished electrical and electronic equipment products will be CE marked as required by Directive 2011/65/EU. Components may not be CE marked. Additionally, the part numbers that TE has identified as EU ELV compliant have a maximum concentration of 0.1% by weight in homogenous materials for lead, hexavalent chromium, and mercury, and 0.01% for cadmium, or qualify for an exemption to these limits as defined in the Annexes of Directive 2000/53/EC (ELV). Regarding the REACH Regulation, the information TE provides on SVHC in articles for this part number is based on the latest European Chemicals Agency (ECHA) 'Guidance on requirements for substances in articles' posted at this URL: <https://echa.europa.eu/guidance-documents/guidance-on-reach>

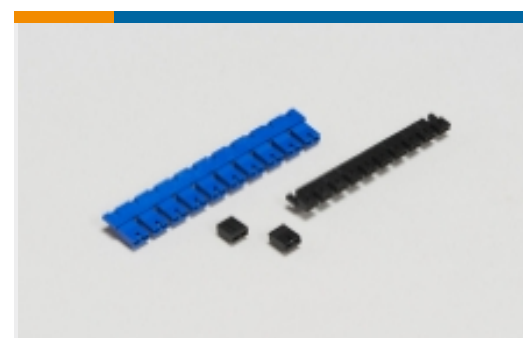
Compatible Parts

TE Part # 206638-1
CONTACT , POWER CORD

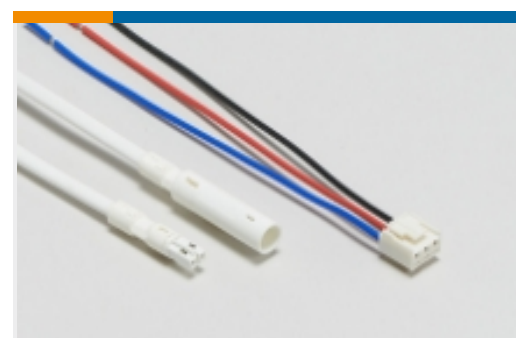
Also in the Series | AMP MR



Board-to-Board Connector Housings(2)



Board-to-Board Jumpers & Shunts(4)



Power Cable Assemblies(1)

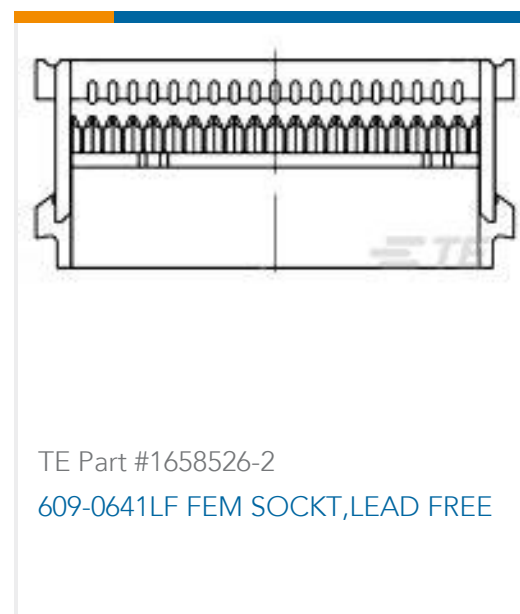
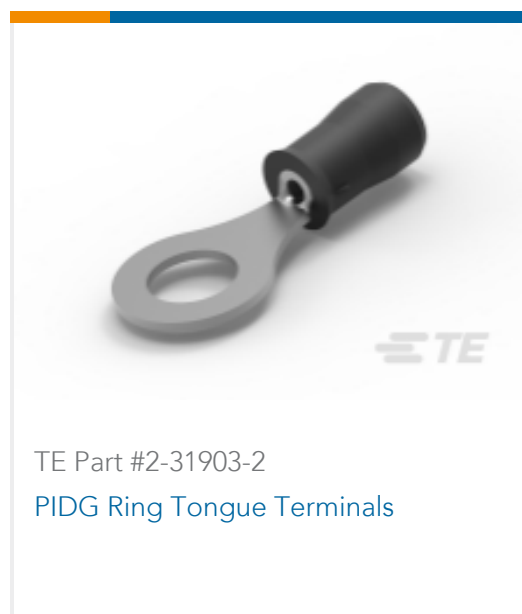


Rectangular Power Connectors(12)



Wire-to-Board Connector Assemblies
& Housings(4)

Customers Also Bought



Documents

Product Drawings

POWER CORD RCPT HSG

English

CAD Files

3D PDF

English

Customer View Model

[ENG_CVM_206637-1_M.2d_dxf.zip](#)

English

Customer View Model

[ENG_CVM_206637-1_M.3d_igs.zip](#)

English

Customer View Model

[ENG_CVM_206637-1_M.3d_stp.zip](#)

English

By downloading the CAD file I accept and agree to the [Terms and Conditions](#) of use.

Product Specifications



Application Specification

English

Product Environmental Compliance

TE Material Declaration

English

Instruction Sheets

Instruction Sheet (U.S.)

English

AMP POWER CORD RECEPTACLE 206637-1

English