

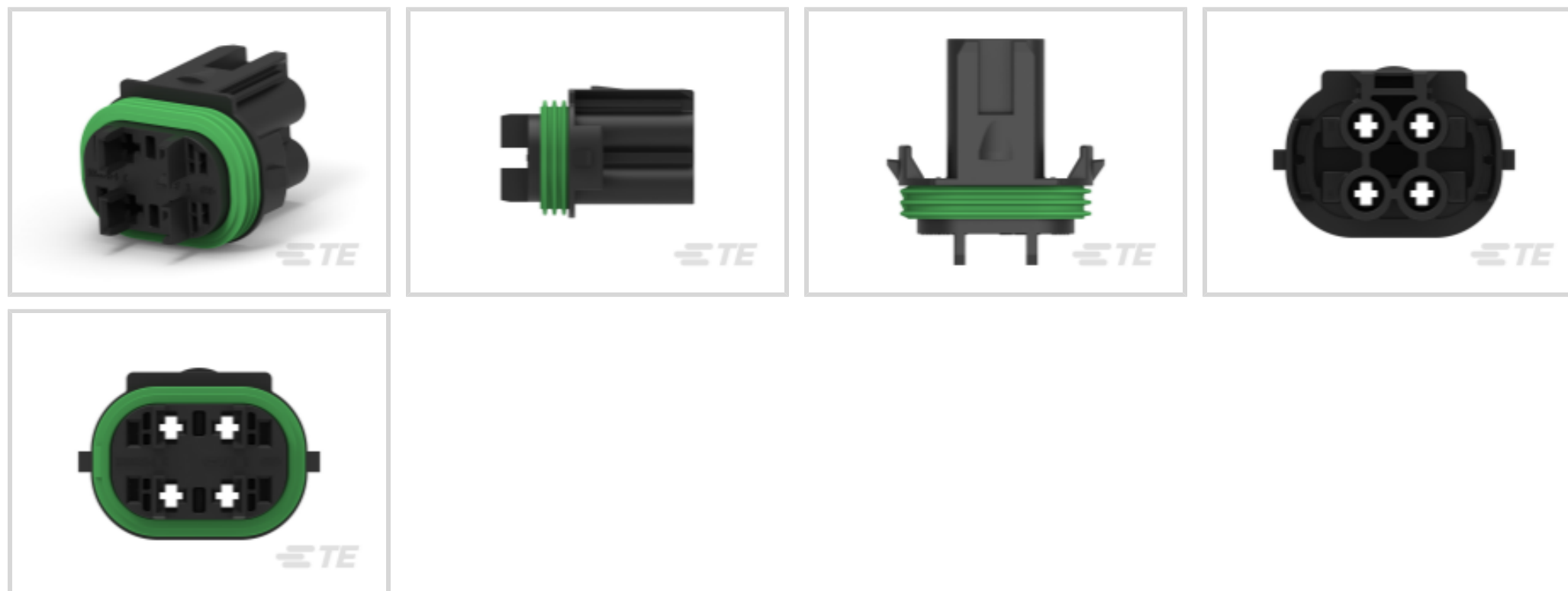
TE Internal #: 2066046-4

Other Hard Wired Boxes, Fuse Holder, Mini ATM Fuse Fuse Type, 2 Fuses (Minimum), 4 Position, .32 in [8.1 mm] Centerline, Sealable, 25G, IP67

[View on TE.com >](#)



Connectors > Automotive Connectors > Power Distribution Boxes > Other Hard Wired Boxes



Component Type: Fuse Holder

Fuse Type: Mini ATM Fuse

Number of Fuses (Maximum): 2

Number of Positions: 4

Centerline (Pitch): 8.1 mm [ .32 in ]

## Features

### Product Type Features

Component Type	Fuse Holder
Fuse Type	Mini ATM Fuse
Sealable	Yes
Primary Locking Feature	Locking Lance

### Configuration Features

Number of Fuses (Maximum)	2
Number of Positions	4

### Electrical Characteristics

Operating Voltage	12 V
Nominal Voltage Architecture	24 V

### Body Features

Secondary Locking	No
-------------------	----

### Contact Features

Contact Current Rating (Max)	20 A
------------------------------	------



### Housing Features

Centerline (Pitch)	8.1 mm [.32 in]
--------------------	-----------------

### Usage Conditions

Operating Temperature (Max)	125 °C [257 °F]
Operating Temperature Range	-40 – 125 °C [-40 – 257 °F]

### Operation/Application

Vibration Class Level	25G
-----------------------	-----

### Industry Standards

IP Rating	IP67
-----------	------

## Product Compliance

[For compliance documentation, visit the product page on TE.com>](#)

EU RoHS Directive 2011/65/EU	Compliant
EU ELV Directive 2000/53/EC	Compliant
China RoHS 2 Directive MIIT Order No 32, 2016	No Restricted Materials Above Threshold
EU REACH Regulation (EC) No. 1907/2006	Current ECHA Candidate List: JUNE 2023 (235) Candidate List Declared Against: JUNE 2023 (235) Does not contain REACH SVHC
Halogen Content	Low Halogen - Br, Cl, F, I < 900 ppm per homogenous material. Also BFR/CFR/PVC Free
Solder Process Capability	Not reviewed for solder process capability

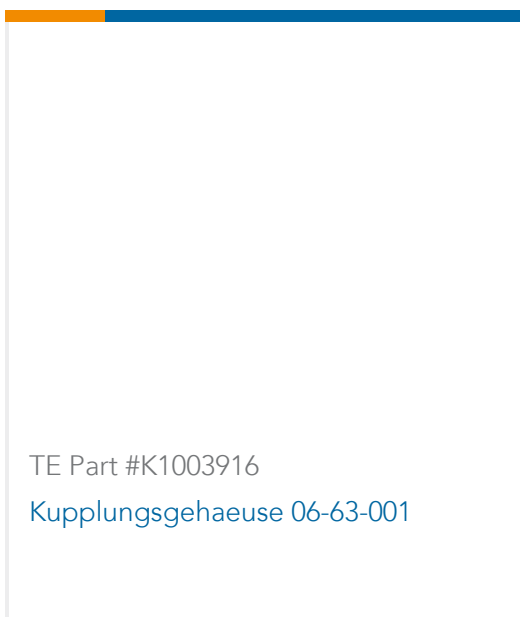
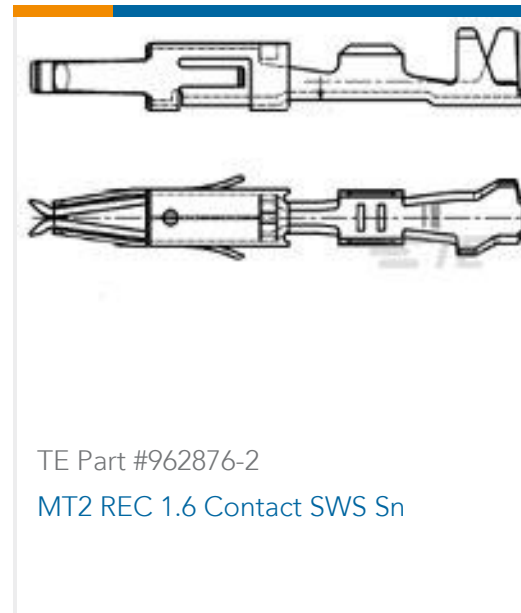
#### Product Compliance Disclaimer

This information is provided based on reasonable inquiry of our suppliers and represents our current actual knowledge based on the information they provided. This information is subject to change. The part numbers that TE has identified as EU RoHS compliant have a maximum concentration of 0.1% by weight in homogenous materials for lead, hexavalent chromium, mercury, PBB, PBDE, DBP, BBP, DEHP, DIBP, and 0.01% for cadmium, or qualify for an exemption to these limits as defined in the Annexes of Directive 2011/65/EU (RoHS2). Finished electrical and electronic equipment products will be CE marked as required by Directive 2011/65/EU. Components may not be CE marked. Additionally, the part numbers that TE has identified as EU ELV compliant have a maximum concentration of 0.1% by weight in homogenous materials for lead, hexavalent chromium, and mercury, and 0.01% for cadmium, or qualify for an exemption to these limits as defined in the Annexes of Directive 2000/53/EC (ELV). Regarding the REACH Regulation, the information TE provides on SVHC in articles for this part number is based on the latest European Chemicals Agency (ECHA) 'Guidance on requirements for substances in articles' posted at this URL: <https://echa.europa.eu/guidance-documents/guidance-on-reach>

## Compatible Parts



## Customers Also Bought



## Documents

### Product Drawings

2 POS MINI FUSE BOX ASSY

English

### CAD Files

3D PDF

3D

Customer View Model

ENG\_CVM\_CVM\_2066046-4\_A.2d\_dxf.zip



English

**Customer View Model**

[ENG\\_CVM\\_CVM\\_2066046-4\\_A.3d\\_igs.zip](#)

English

**Customer View Model**

[ENG\\_CVM\\_CVM\\_2066046-4\\_A.3d\\_stp.zip](#)

English

By downloading the CAD file I accept and agree to the [Terms and Conditions](#) of use.

---

## Product Specifications

[Application Specification](#)

English

---

## Product Environmental Compliance

[Product Compliance](#)

English

[Product Compliance](#)

English