



AMP

TE Internal #: 2063778-1

Hand Crimping Tools, Commercial Crimp Tooling, Operator Releasable & Adjustable, Removable/Interchangeable, TE Product Specification (114-)

[View on TE.com >](#)

Application Tooling > Hand Crimping Tools



Tool Grade: **Commercial Crimp Tooling**

Ratchet Configuration: **Operator Releasable & Adjustable**

Die Sets Type: **Removable/Interchangeable**

Specification Type: **TE Product Specification (114-)**

TE Certification: **Upon Request for Fee**

Features

Other

Crimp Form-Wire Barrel Type	Open Barrel - F Crimp
Tool Grade	Commercial Crimp Tooling
Ratchet Configuration	Operator Releasable & Adjustable
Die Sets Type	Removable/Interchangeable
Specification Type	TE Product Specification (114-)
TE Certification	Upon Request for Fee
Power Technology Type	Battery, Electric, Manual
Tooling Type	PRO-CRIMPER Hand Tool

Product Compliance

[For compliance documentation, visit the product page on TE.com>](#)

EU RoHS Directive 2011/65/EU	Out of Scope
EU ELV Directive 2000/53/EC	Out of Scope
China RoHS 2 Directive MIIT Order No 32, 2016	Not reviewed for China RoHS compliance
EU REACH Regulation (EC) No. 1907/2006	Current ECHA Candidate List: JUNE 2023 (235) Candidate List Declared Against: JAN 2021 (211) Does not contain REACH SVHC



Halogen Content

Not Yet Reviewed for halogen content

Solder Process Capability

Not applicable for solder process capability

Product Compliance Disclaimer

This information is provided based on reasonable inquiry of our suppliers and represents our current actual knowledge based on the information they provided. This information is subject to change. The part numbers that TE has identified as EU RoHS compliant have a maximum concentration of 0.1% by weight in homogenous materials for lead, hexavalent chromium, mercury, PBB, PBDE, DBP, BBP, DEHP, DIBP, and 0.01% for cadmium, or qualify for an exemption to these limits as defined in the Annexes of Directive 2011/65/EU (RoHS2). Finished electrical and electronic equipment products will be CE marked as required by Directive 2011/65/EU. Components may not be CE marked. Additionally, the part numbers that TE has identified as EU ELV compliant have a maximum concentration of 0.1% by weight in homogenous materials for lead, hexavalent chromium, and mercury, and 0.01% for cadmium, or qualify for an exemption to these limits as defined in the Annexes of Directive 2000/53/EC (ELV). Regarding the REACH Regulation, the information TE provides on SVHC in articles for this part number is based on the latest European Chemicals Agency (ECHA) 'Guidance on requirements for substances in articles' posted at this URL: <https://echa.europa.eu/guidance-documents/guidance-on-reach>

Compatible Parts



TE Part # 2058301-1
Blade Contact



TE Part # 2058302-1
Socket Contact

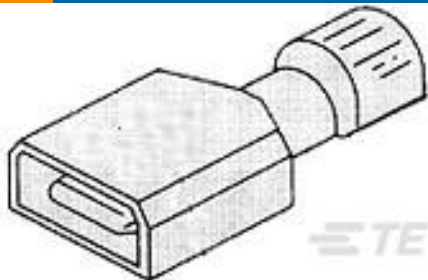


TE Part # 2058301-2
Blade Contact, Loose Piece



TE Part # 2058302-2
Socket Contact, Loose Piece

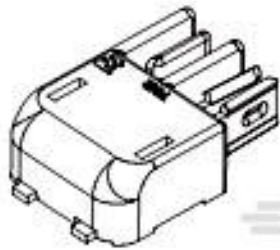
Customers Also Bought



TE Part #2-520103-2
ULTRA-FAST 250 ASSEMBLY TAB 22-18 AWG BR



TE Part #1-480270-0
06P CMNL PLUG HSG M/M NATL



TE Part #2058703-3
Herm Blade & Recp Assy, 6 Pos, Latch



TE Part #1-480319-0
02P CMNL CAP HSG NATL



TE Part #172157-1
2CIR MINI U-M-N-L CAP NATL



TE Part #172165-1
2 CIR UNIV M-N-L PLUG NATL



TE Part #61118-1
MNL PIN 20-14 TPBR



TE Part #690474-3
SHEAR, BLADE



Documents

Datasheets & Catalog Pages

Bottoming Dies

English

[HERMAPHRODITIC_WIRE-TO-BOARD_AND_BOARD-TO-BOARD](#)

[HERMAPHRODITIC_WIRE-TO-BOARD_AND_BOARD-TO-BOARD](#)

English

Instruction Sheets

Instruction Sheet (U.S.)

English