



[View on TE.com >](#)

Application Tooling > Hand Crimping Tools



Tool Grade: **Commercial Crimp Tooling**
 Die Sets Type: **Removable/Interchangeable**
 Specification Type: **TE Product Specification (114-)**
 TE Certification: **Cannot be Certified**
 Tooling Type: **SDE Crimp Die Set**

Features

Other

| | |
|-----------------------------|---------------------------------|
| Crimp Form-Wire Barrel Type | Open Barrel - F Crimp |
| Tool Grade | Commercial Crimp Tooling |
| Die Sets Type | Removable/Interchangeable |
| Specification Type | TE Product Specification (114-) |
| TE Certification | Cannot be Certified |
| Tooling Type | SDE Crimp Die Set |

Product Compliance

[For compliance documentation, visit the product page on TE.com>](#)

| | |
|---|--|
| EU RoHS Directive 2011/65/EU | Out of Scope |
| EU ELV Directive 2000/53/EC | Out of Scope |
| China RoHS 2 Directive MIIT Order No 32, 2016 | Not reviewed for China RoHS compliance |
| EU REACH Regulation (EC) No. 1907/2006 | Current ECHA Candidate List: JUNE 2023 (235) Candidate List Declared Against: JUN 2010 (36) |



SVHC > Threshold:
Not Yet Reviewed



| | |
|-----------------|---|
| Halogen Content | Low Halogen - Br, Cl, F, I < 900 ppm per homogenous material. Also BFR/CFR/PVC Free |
|-----------------|---|

| | |
|---------------------------|--|
| Solder Process Capability | Not applicable for solder process capability |
|---------------------------|--|

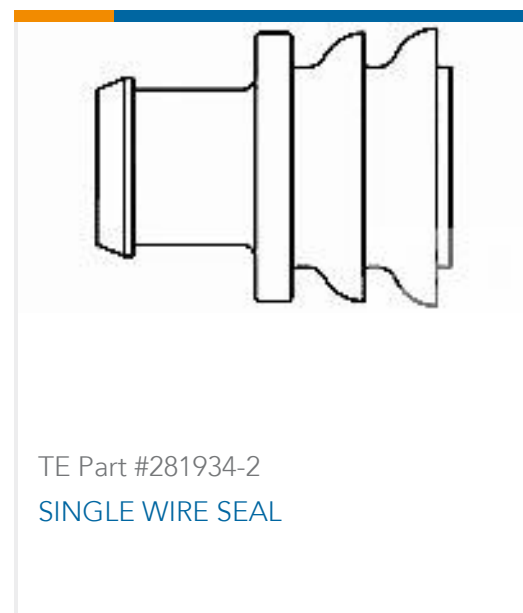
Product Compliance Disclaimer

This information is provided based on reasonable inquiry of our suppliers and represents our current actual knowledge based on the information they provided. This information is subject to change. The part numbers that TE has identified as EU RoHS compliant have a maximum concentration of 0.1% by weight in homogenous materials for lead, hexavalent chromium, mercury, PBB, PBDE, DBP, BBP, DEHP, DIBP, and 0.01% for cadmium, or qualify for an exemption to these limits as defined in the Annexes of Directive 2011/65/EU (RoHS2). Finished electrical and electronic equipment products will be CE marked as required by Directive 2011/65/EU. Components may not be CE marked. Additionally, the part numbers that TE has identified as EU ELV compliant have a maximum concentration of 0.1% by weight in homogenous materials for lead, hexavalent chromium, and mercury, and 0.01% for cadmium, or qualify for an exemption to these limits as defined in the Annexes of Directive 2000/53/EC (ELV). Regarding the REACH Regulations, TE's information on SVHC in articles for this part number is still based on the European Chemical Agency (ECHA) 'Guidance on requirements for substances in articles' (Version: 2, April 2011), applying the 0.1% weight on weight concentration threshold at the finished product level. TE is aware of the European Court of Justice ruling of September 10th, 2015 also known as O5A (Once An Article Always An Article) stating that, in case of 'complex object', the threshold for a SVHC must be applied to both the product as a whole and simultaneously to each of the articles forming part of its composition. TE has evaluated this ruling based on the new ECHA "Guidance on requirements for substances in articles" (June 2017, version 4.0) and will be updating its statements accordingly.

Compatible Parts

| | | | |
|--|---|--|--|
|  <p>REPRESENTATION ONLY. DIE SET MAY VARY. TE</p> <p>TE Part # 2063625-1 SDE MCP6.3 0.2-1.0mm2 ASSY</p> |  <p>TE</p> <p>TE Part # 2362810-1 SDE CRIMP HAND TOOL FRAME W/O DIES</p> | <p>TE Part # 1241411-1 AMP MCP6.3/4.8K, CONTACT, SWS, (LP)</p> | <p>TE Part # 1241413-1 AMP MCP6.3/4.8K, CONTACT, SWS, (LP)</p> |
| <p>TE Part # 964309-1 TAB A 5.8x0.8 CONTACT CF SWS Sn (LP)</p> | <p>TE Part # 1241413-3 AMP MCP 6.3/4.8K, CONTACT, SWS, (LP)</p> | | |

Customers Also Bought



Documents

Datasheets & Catalog Pages

CRIMPING TERMINALS

English

CRIMPING WHERE FORM MEETS FUNCTION

English

Bottoming Dies

English

SDE Crimp Commercial Tool System

English

Instruction Sheets

Instruction Sheet (U.S.)

English