



AMP

TE Internal #: 2063536-1

Hand Crimping Tools, Commercial Crimp Tooling, Operator Releasable & Adjustable, Removable/Interchangeable, TE Product Specification (114-), Manual

[View on TE.com >](#)

Application Tooling > Hand Crimping Tools



Tool Grade: **Commercial Crimp Tooling**

Ratchet Configuration: **Operator Releasable & Adjustable**

Die Sets Type: **Removable/Interchangeable**

Specification Type: **TE Product Specification (114-)**

TE Certification: **No**

Features

Other

| | |
|-----------------------------|----------------------------------|
| Crimp Form-Wire Barrel Type | Open Barrel - F Crimp |
| Tool Grade | Commercial Crimp Tooling |
| Ratchet Configuration | Operator Releasable & Adjustable |
| Die Sets Type | Removable/Interchangeable |
| Specification Type | TE Product Specification (114-) |
| TE Certification | No |
| Power Technology Type | Manual |
| Tooling Type | SDE Crimp Hand Tool |

Product Compliance

[For compliance documentation, visit the product page on TE.com>](#)

| | |
|---|--|
| EU RoHS Directive 2011/65/EU | Out of Scope |
| EU ELV Directive 2000/53/EC | Out of Scope |
| China RoHS 2 Directive MIIT Order No 32, 2016 | Not reviewed for China RoHS compliance |
| EU REACH Regulation (EC) No. 1907/2006 | Current ECHA Candidate List: JUNE 2023 (235) Candidate List Declared Against: JUL 2021 (219) Does not contain REACH SVHC |



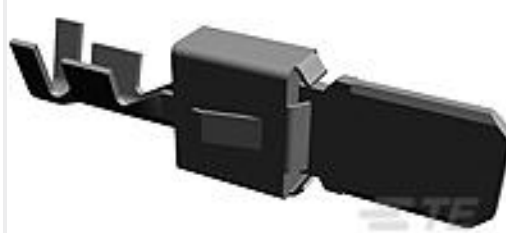



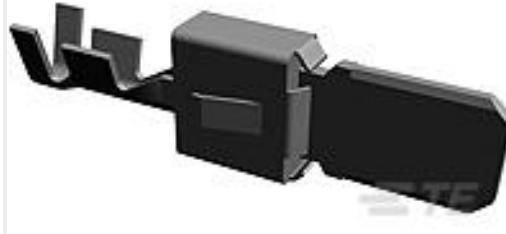


| | |
|---------------------------|--|
| Halogen Content | Not Yet Reviewed for halogen content |
| Solder Process Capability | Not applicable for solder process capability |


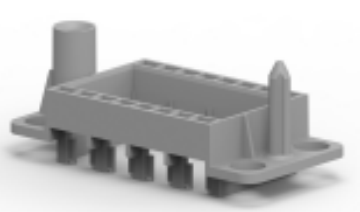

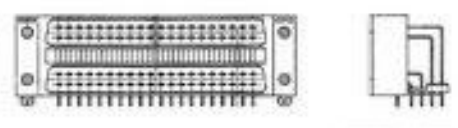
Product Compliance Disclaimer

This information is provided based on reasonable inquiry of our suppliers and represents our current actual knowledge based on the information they provided. This information is subject to change. The part numbers that TE has identified as EU RoHS compliant have a maximum concentration of 0.1% by weight in homogenous materials for lead, hexavalent chromium, mercury, PBB, PBDE, DBP, BBP, DEHP, DIBP, and 0.01% for cadmium, or qualify for an exemption to these limits as defined in the Annexes of Directive 2011/65/EU (RoHS2). Finished electrical and electronic equipment products will be CE marked as required by Directive 2011/65/EU. Components may not be CE marked. Additionally, the part numbers that TE has identified as EU ELV compliant have a maximum concentration of 0.1% by weight in homogenous materials for lead, hexavalent chromium, and mercury, and 0.01% for cadmium, or qualify for an exemption to these limits as defined in the Annexes of Directive 2000/53/EC (ELV). Regarding the REACH Regulation, the information TE provides on SVHC in articles for this part number is based on the latest European Chemicals Agency (ECHA) 'Guidance on requirements for substances in articles' posted at this URL: <https://echa.europa.eu/guidance-documents/guidance-on-reach>

Compatible Parts

| | | | |
|---|--|--|--|
|  <p>TE Part # 2063536-2 SDE STD POWER TIMER 0.2-4.0mm2 DIE SET</p> |  <p>TE Part # 2362810-1 SDE CRIMP HAND TOOL FRAME W /O DIES</p> |  <p>TE Part # 964303-1 TAB A 5.8x0.8 CONTACT CF SRC Sn (LP)</p> |  <p>TE Part # 964305-1 TAB A 5.8x0.8 CONTACT CF SRC Sn (LP)</p> |
|  <p>TE Part # 964305-3 TAB A 5.8x0.8 CONTACT CS SRC Au (LP)</p> |  <p>TE Part # 969008-1 TAB A 5.8x0.8 CONTACT CF SRC Sn (LP)</p> |  <p>TE Part # 964307-1 TAB A 5.8x0.8 CONTACT CF SRC Sn (LP)</p> | |

Customers Also Bought

| | | | |
|---|---|--|--|
|  <p>TE Part #T1329320140-000 H32A-TG-M40</p> |  <p>TE Part #T2071164101-000 H16BP-T4-M DOCKING FRAME_FLOATING</p> |  <p>TE Part #T2071164201-000 H16BP-T4-F DOCKING FRAME_FIXED</p> |  <p>TE Part #900412-2 PC I/O RETENTION LEG ASSY 80P</p> |
|---|---|--|--|



Documents

Datasheets & Catalog Pages

Bottoming Dies

English

Instruction Sheets

Instruction Sheet (U.S.)

English