



## Product Compliance


[For compliance documentation, visit the product page on TE.com>](#)

EU RoHS Directive 2011/65/EU	Out of Scope
EU ELV Directive 2000/53/EC	Out of Scope
China RoHS 2 Directive MIIT Order No 32, 2016	Not reviewed for China RoHS compliance
EU REACH Regulation (EC) No. 1907/2006	Current ECHA Candidate List: JUNE 2023 (235) Candidate List Declared Against: JAN 2023 (233) Does not contain REACH SVHC
Halogen Content	Low Halogen - Br, Cl, F, I < 900 ppm per homogenous material. Also BFR/CFR/PVC Free
Solder Process Capability	Not applicable for solder process capability

### Product Compliance Disclaimer

This information is provided based on reasonable inquiry of our suppliers and represents our current actual knowledge based on the information they provided. This information is subject to change. The part numbers that TE has identified as EU RoHS compliant have a maximum concentration of 0.1% by weight in homogenous materials for lead, hexavalent chromium, mercury, PBB, PBDE, DBP, BBP, DEHP, DIBP, and 0.01% for cadmium, or qualify for an exemption to these limits as defined in the Annexes of Directive 2011/65/EU (RoHS2). Finished electrical and electronic equipment products will be CE marked as required by Directive 2011/65/EU. Components may not be CE marked. Additionally, the part numbers that TE has identified as EU ELV compliant have a maximum concentration of 0.1% by weight in homogenous materials for lead, hexavalent chromium, and mercury, and 0.01% for cadmium, or qualify for an exemption to these limits as defined in the Annexes of Directive 2000/53/EC (ELV). Regarding the REACH Regulation, the information TE provides on SVHC in articles for this part number is based on the latest European Chemicals Agency (ECHA) 'Guidance on requirements for substances in articles' posted at this URL: <https://echa.europa.eu/guidance-documents/guidance-on-reach>

## Compatible Parts

 <p>TE Part # CAT-N57-GYTH68 Generation Y Terminals, 68POS Hybrid</p>	 <p>TE Part # 1456968-1 CONTACT,FEMALE, 0.64, 20 TO 22 AWG, AG</p>	 <p>TE Part # 2035334-2 CONTACT,FEMALE0.64, 18 AWG</p>	 <p>TE Part # 1924955-2 CONTACT,FEMALE0.64,18AWG, UNSEALED</p>
--	--	---	---



TE Part # 1456968-2  
CONTACT,FEMALE, 0.64, 18 AWG, AG



TE Part # 1924955-4  
CONTACT,FEMALE0.64,18AWG, UNSEALED



TE Part # 1924955-1  
CONTACT,FEMALE0.64,20-22AWG, UNSEAL



TE Part # 2035170-1  
CONTACT,FEMALE, 0.64, 20-22, C



TE Part # 2035334-4  
Contact,female0.64, 18 AWG



TE Part # 2035334-1  
CONTACT,FEMALE0.64, 20 TO 22 A



TE Part # 1924955-3  
CONTACT,FEMALE0.64,20-22AWG, UNSEAL



TE Part # 2035334-3  
CONTACT,FEMALE0.64, 20 TO 22 AWG



TE Part # 1456968-3  
CONTACT,FEMALE, 0.64, 20 TO 22 AWG, AG



TE Part # 2035170-2  
CONTACT,FEMALE, 0.64, 18AWG,CU



TE Part # 2035170-5  
CONTACT,FEMALE, 0.64, 20-22,CU



TE Part # 2035170-6  
CONTACT,FEMALE, 0.64, 18AWG,CU




TE Part # 2098165-1  
CONTACT,FEMALE, 0.64, 20-22, C



TE Part # 2203242-2  
Contact,female, 0.64, CuNiSi,18AWG



TE Part # 1456968-4  
CONTACT,FEMALE, 0.64, 18 AWG, AG



TE Part # 2098165-2  
Contact,female, 0.64, 18awg,Cu

## Customers Also Bought




TE Part #1-66105-8  
III+ SKT,24-20,30AU/FL,SMPACK



TE Part #2295018-2  
SPLASH PROOF USB TYPE C REC, DUAL SMT



TE Part #87227-5  
10 MODII HDR DRST UNSHRD .100



TE Part #6364372-2  
Std USB Type A, R/A, T/H, Natural



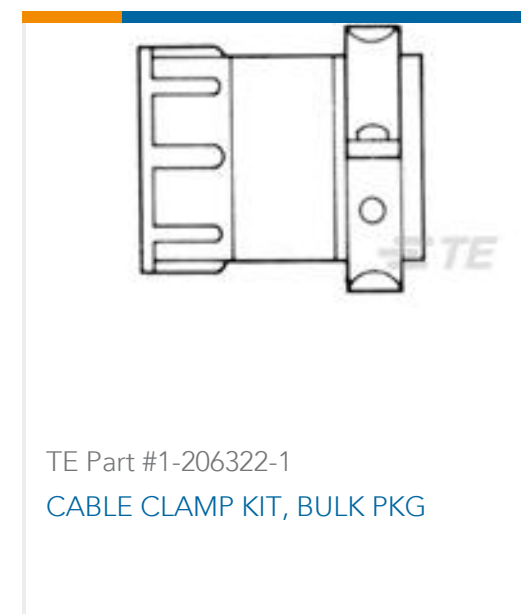
TE Part #1-1879208-2  
CPF 0402 30R 0.1% 25PPM 1K RL



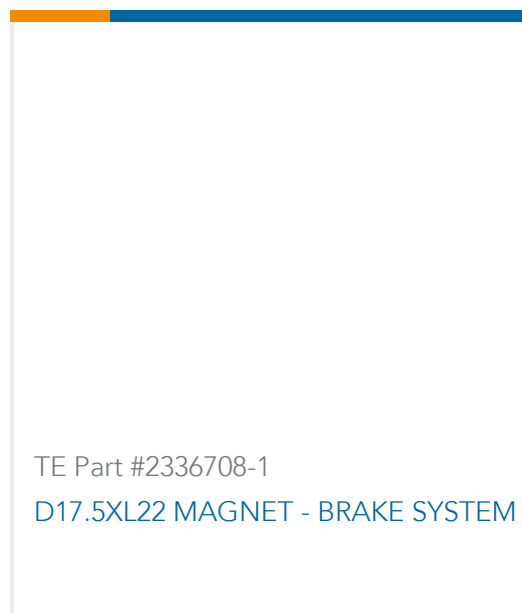
TE Part #1-1879215-1  
CPF 0402 5K11 0.1% 25PPM 1K RL



TE Part #2035360-1  
1X4 GENERATION Y ASSY KEY A



TE Part #1-206322-1  
CABLE CLAMP KIT, BULK PKG



TE Part #2336708-1  
D17.5XL22 MAGNET - BRAKE SYSTEM

## Documents

### Datasheets & Catalog Pages

[1-1773865-2\\_1015\\_Commercial Manual Hand Tools](#)

English

### Bottoming Dies

English

### Instruction Sheets

[Instruction Sheet \(U.S.\)](#)

English