



AMP

TE Internal #: 2063030-1

Hand Crimping Tools, Premium Crimp Tooling, Removable /Interchangeable, TE Product Specification (114-), Pneumatic / Electric / Battery

[View on TE.com >](#)

Application Tooling > Hand Crimping Tools



Tool Grade: **Premium Crimp Tooling**

Die Sets Type: **Removable/Interchangeable**

Specification Type: **TE Product Specification (114-)**

TE Certification: **Yes – Certificate Included**

Power Technology Type: **Battery, Electric, Manual, Pneumatic**

Features

Other

Crimp Form-Wire Barrel Type	Closed Barrel - Confined Crescent
Tool Grade	Premium Crimp Tooling
Die Sets Type	Removable/Interchangeable
Specification Type	TE Product Specification (114-)
TE Certification	Yes – Certificate Included
Power Technology Type	Battery, Electric, Manual, Pneumatic
Tooling Type	Standard Die Envelope (SDE) Die Set

Product Compliance

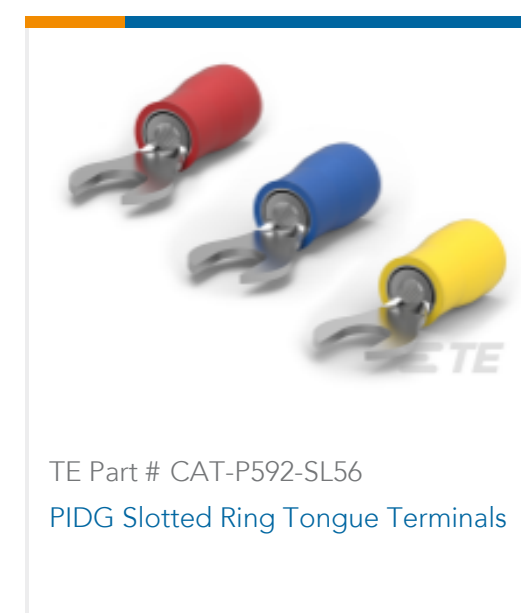
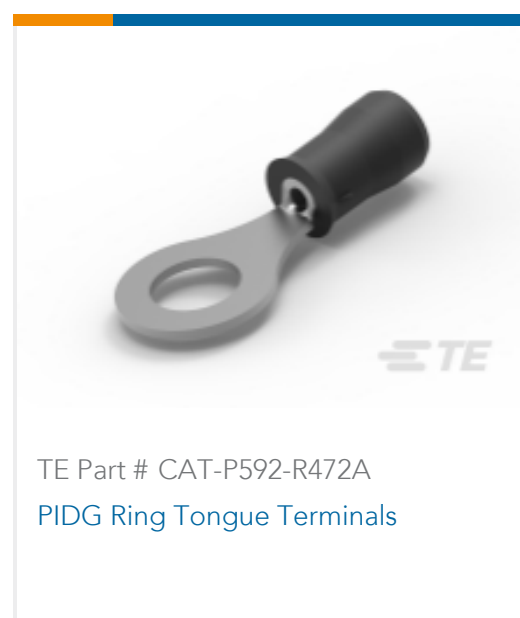
[For compliance documentation, visit the product page on TE.com>](#)

EU RoHS Directive 2011/65/EU	Out of Scope
EU ELV Directive 2000/53/EC	Out of Scope
China RoHS 2 Directive MIIT Order No 32, 2016	Not reviewed for China RoHS compliance
EU REACH Regulation (EC) No. 1907/2006	Current ECHA Candidate List: JUNE 2023 (235) Candidate List Declared Against: JAN 2021 (211) Does not contain REACH SVHC
Halogen Content	Not Yet Reviewed for halogen content
Solder Process Capability	Not applicable for solder process capability

Product Compliance Disclaimer

This information is provided based on reasonable inquiry of our suppliers and represents our current actual knowledge based on the information they provided. This information is subject to change. The part numbers that TE has identified as EU RoHS compliant have a maximum concentration of 0.1% by weight in homogenous materials for lead, hexavalent chromium, mercury, PBB, PBDE, DBP, BBP, DEHP, DIBP, and 0.01% for cadmium, or qualify for an exemption to these limits as defined in the Annexes of Directive 2011/65/EU (RoHS2). Finished electrical and electronic equipment products will be CE marked as required by Directive 2011/65/EU. Components may not be CE marked. Additionally, the part numbers that TE has identified as EU ELV compliant have a maximum concentration of 0.1% by weight in homogenous materials for lead, hexavalent chromium, and mercury, and 0.01% for cadmium, or qualify for an exemption to these limits as defined in the Annexes of Directive 2000/53/EC (ELV). Regarding the REACH Regulation, the information TE provides on SVHC in articles for this part number is based on the latest European Chemicals Agency (ECHA) 'Guidance on requirements for substances in articles' posted at this URL: <https://echa.europa.eu/guidance-documents/guidance-on-reach>

Compatible Parts






TE Part # CAT-P592-R2456
PIDG Rectangular Tongue Terminals



TE Part # 34313
PIDG HK 22-16 COMM 22-18 MIL 6



TE Part # CAT-P592-B98
PIDG Butt Splices



TE Part # CAT-P592-R472
PIDG Radiation Resistant C Rings /Spades



TE Part # 160138
PIDG RING TONGUE



TE Part # 8-31880-1
PIDG R 22-16 COMM 22-18 MIL 4



TE Part # 8-34148-1
PG R 22-16 COMM 22-18 MIL 8



TE Part # 324227
PG SHUR PLUG 16-14

Customers Also Bought



TE Part #1-1437664-4
NC6-P107-10=NC6 ASSEMBLY



TE Part #8-1393253-3
W69-X2Q12-10=M6/M7/M9/W6/W7



TE Part #4-2176403-9
3550 100R 1%



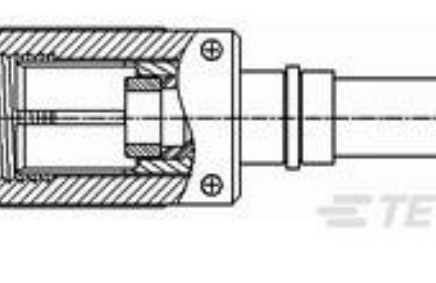
TE Part #6-1879352-4
RR02 5% 130R AMMO



TE Part #33463
TERMINAL,SOLIS R 8 3/8




TE Part #2-1586842-0
20P MICRO MNL ASY,VRT,REV REEL




TE Part #601154-000
D-621-0011



TE Part #ZPF000000000007454
983-05E 08-03 P6



TE Part #4-1617061-2
A8947 = SEALED R RELAY (FORME



TE Part #5070054057
RNF-100-3/16-CL-SP

Documents



Datasheets & Catalog Pages

[1-1773865-2_1015_Commercial Manual Hand Tools](#)

English

Bottoming Dies

English

Instruction Sheets

[Instruction Sheet \(U.S.\)](#)

English