

2061664-4 ✓ ACTIVE

TE Internal #: 2061664-4

Rugged Fiber Cable Assemblies, Fiber Optic Cable (FOCAB),  
Black, Black, Black Cable, FULLAXS Plug, FULLAXS Pigtail Cable  
Assembly, .3 m

[View on TE.com >](#)



Fiber Optics > Fiber Optic Cable Assemblies > Rugged Fiber Cable Assemblies



Fiber Optic Cable Type: **Fiber Optic Cable (FOCAB)**

Connector Color (End A): **Black**

Connector Color (End B): **Black**

Cable Color: **Black**

Connector Type (End A): **FULLAXS Plug**

## Features

### Product Type Features

Rugged Fiber Cable Assembly System	FullAXS
Fiber Optic Cable Type	Fiber Optic Cable (FOCAB)
Connector Type (End A)	FULLAXS Plug
Cable Assembly Type	FULLAXS Pigtail

### Body Features

Connector Color (End A)	Black
Connector Color (End B)	Black
Cable Color	Black

### Other

Cable Assembly Length	.3 m
-----------------------	------

## Product Compliance

[For compliance documentation, visit the product page on TE.com>](#)

EU RoHS Directive 2011/65/EU	Compliant
------------------------------	-----------



EU ELV Directive 2000/53/EC	Compliant
China RoHS 2 Directive MIIT Order No 32, 2016	No Restricted Materials Above Threshold
EU REACH Regulation (EC) No. 1907/2006	Current ECHA Candidate List: JUNE 2023 (235) Candidate List Declared Against: JAN 2022 (223) Does not contain REACH SVHC
Halogen Content	BFR/CFR/PVC Free, but Br/Cl >900 ppm in other sources.
Solder Process Capability	Not applicable for solder process capability

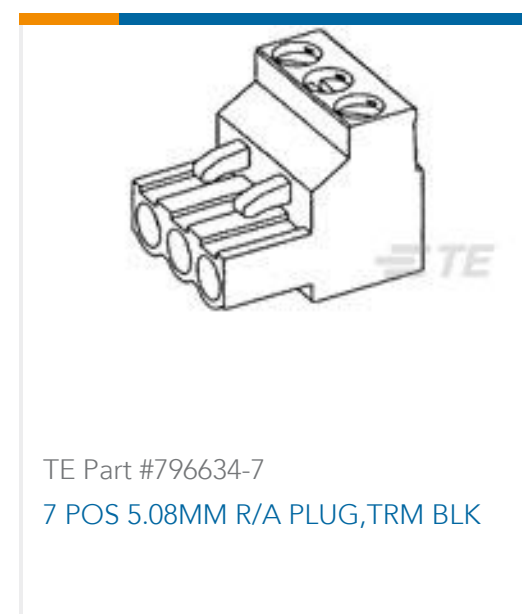
Product Compliance Disclaimer

This information is provided based on reasonable inquiry of our suppliers and represents our current actual knowledge based on the information they provided. This information is subject to change. The part numbers that TE has identified as EU RoHS compliant have a maximum concentration of 0.1% by weight in homogenous materials for lead, hexavalent chromium, mercury, PBB, PBDE, DBP, BBP, DEHP, DIBP, and 0.01% for cadmium, or qualify for an exemption to these limits as defined in the Annexes of Directive 2011/65/EU (RoHS2). Finished electrical and electronic equipment products will be CE marked as required by Directive 2011/65/EU. Components may not be CE marked. Additionally, the part numbers that TE has identified as EU ELV compliant have a maximum concentration of 0.1% by weight in homogenous materials for lead, hexavalent chromium, and mercury, and 0.01% for cadmium, or qualify for an exemption to these limits as defined in the Annexes of Directive 2000/53/EC (ELV). Regarding the REACH Regulation, the information TE provides on SVHC in articles for this part number is based on the latest European Chemicals Agency (ECHA) 'Guidance on requirements for substances in articles' posted at this URL: <https://echa.europa.eu/guidance-documents/guidance-on-reach>

### Compatible Parts



### Customers Also Bought





## Documents

### Product Drawings

[FOKIT FULLAXS FIELD INSTALL KIT S 0.3m](#)

English

### CAD Files

[3D PDF](#)

3D

Customer View Model

[ENG\\_CVM\\_CVM\\_2061664-4\\_C\\_c-2061664-4-c.2d\\_dxf.zip](#)

English

Customer View Model

[ENG\\_CVM\\_CVM\\_2061664-4\\_C\\_c-2061664-4-c.3d\\_igs.zip](#)

English

Customer View Model

[ENG\\_CVM\\_CVM\\_2061664-4\\_C\\_c-2061664-4-c.3d\\_stp.zip](#)

English

By downloading the CAD file I accept and agree to the [Terms and Conditions](#) of use.

### Datasheets & Catalog Pages

[Fiber Optic Products\\_0412](#)

English