

2058299-1 ✓ ACTIVE

LUMAWISE

TE Internal #: 2058299-1

Rectangular Connector Housings, Wire-to-Board, 2 Position, .157 in [4 mm] Centerline, 1 Row, LCP (Liquid Crystal Polymer), Hermaphroditic

[View on TE.com >](#)



Connectors > Rectangular Connectors > Rectangular Connector Housings



Connector System: **Wire-to-Board**

Number of Positions: **2**

Centerline (Pitch): **4 mm [.157 in]**

Number of Rows: **1**

Housing Material: **LCP (Liquid Crystal Polymer)**

Features

Product Type Features

Connector System	Wire-to-Board
Connector & Housing Type	Hermaphroditic
Sealable	No
Connector & Contact Terminates To	Wire & Cable

Configuration Features

Number of Positions	2
Number of Rows	1

Electrical Characteristics

Operating Voltage	90 VAC
-------------------	--------

Housing Features

Housing Color	Natural
Centerline (Pitch)	4 mm [.157 in]
Housing Material	LCP (Liquid Crystal Polymer)



Dimensions

Connector Height	6.35 mm[.249 in]
Product Width	12.4 mm[.49 in]
Product Length	19.35 mm[.762 in]

Usage Conditions

Operating Temperature Range	-40 – 105 °C
-----------------------------	--------------

Operation/Application

Circuit Application	Power
---------------------	-------

Identification Marking

Circuit Identification Feature	With
--------------------------------	------

Industry Standards

Glow Wire Rating	Standard Part - Not Glow Wire
Agency/Standard	C22.2 No. 182.3-M1987, CSA, UL
Approved Standards	UL E28476
UL Flammability Rating	UL 94V-0

Packaging Features

Packaging Method	Loose Piece
------------------	-------------

Product Compliance

[For compliance documentation, visit the product page on TE.com>](#)

EU RoHS Directive 2011/65/EU	Compliant
EU ELV Directive 2000/53/EC	Compliant
China RoHS 2 Directive MIIT Order No 32, 2016	No Restricted Materials Above Threshold
EU REACH Regulation (EC) No. 1907/2006	Current ECHA Candidate List: JUNE 2023 (235) Candidate List Declared Against: JUNE 2023 (235) Does not contain REACH SVHC
Halogen Content	Not Low Halogen - contains Br or Cl > 900 ppm.
Solder Process Capability	Not applicable for solder process capability

Product Compliance Disclaimer

This information is provided based on reasonable inquiry of our suppliers and represents our current actual knowledge based on the information they provided. This information is subject to change. The part numbers that TE has identified as EU RoHS compliant have a maximum concentration of 0.1% by weight in homogenous materials for lead, hexavalent



chromium, mercury, PBB, PBDE, DBP, BBP, DEHP, DIBP, and 0.01% for cadmium, or qualify for an exemption to these limits as defined in the Annexes of Directive 2011/65/EU (RoHS2). Finished electrical and electronic equipment products will be CE marked as required by Directive 2011/65/EU. Components may not be CE marked. Additionally, the part numbers that TE has identified as EU ELV compliant have a maximum concentration of 0.1% by weight in homogenous materials for lead, hexavalent chromium, and mercury, and 0.01% for cadmium, or qualify for an exemption to these limits as defined in the Annexes of Directive 2000/53/EC (ELV). Regarding the REACH Regulation, the information TE provides on SVHC in articles for this part number is based on the latest European Chemicals Agency (ECHA) 'Guidance on requirements for substances in articles' posted at this URL: <https://echa.europa.eu/guidance-documents/guidance-on-reach>

Compatible Parts



TE Part # 2058302-1
Socket Contact



TE Part # 2213373-1
Socket Contact, gold plated



TE Part # 2213374-1
Blade Contact, gold plated



TE Part # 2213617-1
HERM BLADE & RCPT ,LATCH, POST, SEL GOLD

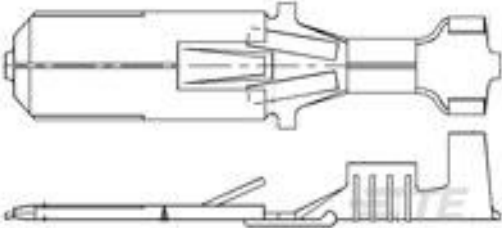
Customers Also Bought



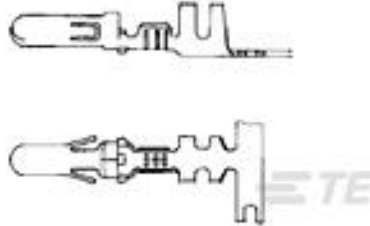
TE Part #1-770987-0
MINI UMNL PIN 22-18 AWG AU LP



TE Part #350550-1
UMNL SOK 20-14 PTPBR L/P



TE Part #42241-2
FF 250 TAB 18-14 AWG .032 TPBR



TE Part #925715-1
M-N-L PIN TPBR



TE Part #1-480698-0
02P UMNL PLUG HSG NATL



TE Part #1-480704-0
06P UMNL PLUG HSG NATL



TE Part #7574444009
RAYRIM-NR8-0-SP



TE Part #1060-16-0122-PS
PIN, SF, SIZE 16, 14-18, NI/SN, 100 PC



TE Part #1752680-1
HYP10 SOLIS FLAG 4/0AWG NEST

Documents



Product Drawings

WTB HOUSING, 2 POS, NATURAL

English

CAD Files

Customer View Model

[ENG_CVM_CVM_2058299-1_A.2d_dxf.zip](#)

English

3D PDF

3D

Customer View Model

[ENG_CVM_CVM_2058299-1_A.3d_igs.zip](#)

English

Customer View Model

[ENG_CVM_CVM_2058299-1_A.3d_stp.zip](#)

English

By downloading the CAD file I accept and agree to the [Terms and Conditions](#) of use.

Datasheets & Catalog Pages

Hermaphroditic Connectors with Select Gold Plating Flyer

Hermaphroditic Connectors with Select Gold Plating Flyer

English

[HERMAPHRODITIC_WIRE-TO-BOARD_AND_BOARD-TO-BOARD](#)

[HERMAPHRODITIC_WIRE-TO-BOARD_AND_BOARD-TO-BOARD](#)

English

Product Specifications

Application Specification

English

Agency Approvals

UL Report

English