



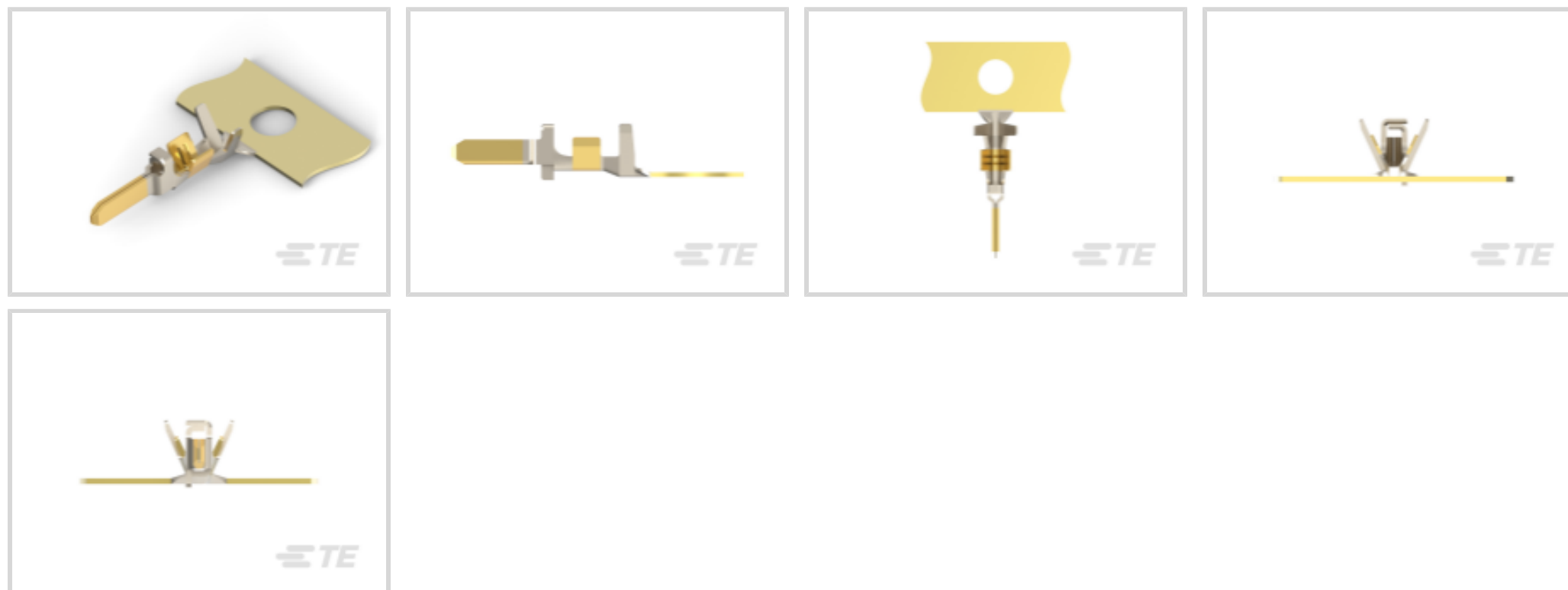
AMPMODU

TE Internal #: 2040973-2

Connector Contact, Pin, Wire-to-Board, 28 – 26 AWG Wire Size, .08 – .15 mm² Wire Size, Gold, Reel, Wire & Cable, 1 A, Power & Signal, Board Mount

[View on TE.com >](#)

Connectors > PCB Connectors > Wire-to-Board Connectors > Wire-to-Board Connector Contacts



Contact Type: **Pin**

Connector System: **Wire-to-Board**

Number of Positions: **1**

Centerline (Pitch): **1 mm [.039 in]**

Wire Size: **28 – 26 AWG**

Features

Product Type Features

Connector System	Wire-to-Board
Connector & Contact Terminates To	Wire & Cable

Configuration Features

Number of Positions	1
---------------------	---

Contact Features

Mating Tab Width	.8 mm[.031 in]
Mating Tab Thickness	.3 mm[.012 in]
Contact Base Material	Brass
Contact Type	Pin
Contact Mating Area Plating Material	Gold
Contact Current Rating (Max)	1 A

Mechanical Attachment

Connector Mounting Type	Board Mount
-------------------------	-------------



Housing Features

Centerline (Pitch)	1 mm [.039 in]
--------------------	----------------

Dimensions

Wire Size	.08 – .15 mm ²
-----------	---------------------------

Usage Conditions

Operating Temperature Range	-40 – 105 °C [-40 – 221 °F]
-----------------------------	-----------------------------

Operation/Application

Circuit Application	Power & Signal
---------------------	----------------

Packaging Features

Packaging Quantity	20000
Packaging Method	Reel

Product Compliance

[For compliance documentation, visit the product page on TE.com>](#)

EU RoHS Directive 2011/65/EU	Compliant
EU ELV Directive 2000/53/EC	Compliant
China RoHS 2 Directive MIIT Order No 32, 2016	No Restricted Materials Above Threshold
EU REACH Regulation (EC) No. 1907/2006	Current ECHA Candidate List: JUNE 2023 (235) Candidate List Declared Against: JUNE 2023 (235) Does not contain REACH SVHC
Halogen Content	Low Halogen - Br, Cl, F, I < 900 ppm per homogenous material. Also BFR/CFR/PVC Free
Solder Process Capability	Not applicable for solder process capability

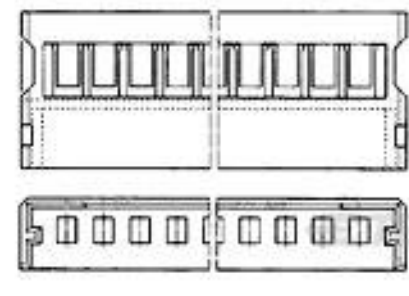
Product Compliance Disclaimer

This information is provided based on reasonable inquiry of our suppliers and represents our current actual knowledge based on the information they provided. This information is subject to change. The part numbers that TE has identified as EU RoHS compliant have a maximum concentration of 0.1% by weight in homogenous materials for lead, hexavalent chromium, mercury, PBB, PBDE, DBP, BBP, DEHP, DIBP, and 0.01% for cadmium, or qualify for an exemption to these limits as defined in the Annexes of Directive 2011/65/EU (RoHS2). Finished electrical and electronic equipment products will be CE marked as required by Directive 2011/65/EU. Components may not be CE marked. Additionally, the part numbers that TE has identified as EU ELV compliant have a maximum concentration of 0.1% by weight in homogenous materials for lead, hexavalent chromium, and mercury, and 0.01% for cadmium, or qualify for an exemption to these limits as defined in the Annexes of Directive 2000/53/EC (ELV). Regarding the REACH Regulation, the information TE provides on SVHC in articles for this part number is based on the latest European Chemicals Agency (ECHA) 'Guidance on requirements for substances in articles' posted at this URL: <https://echa.europa.eu/guidance-documents/guidance-on-reach>

Compatible Parts



TE Part # 2305570-1
Strip Terminal Cutter-Side Feed-No Crimp



TE Part # 1747470-1
PLUG HSG, MINI VP 1.0MM W TO B CONN.



TE Part # 2040974-3
PLUG HSG, 1.0VP REMODEL



TE Part # 2-2266512-2
OC-PA-S-FM-026F024SP-001-0446



TE Part # 2266512-2
OC-AT-S-FA-026F024SP-001-0446



TE Part # 7-2266512-7
OC-026F024SP-CRIMPTOOLINGKIT

Customers Also Bought



TE Part #178964-6
DYNAMIC 3100D TAB HSG 12P FREE



TE Part #1-353908-0
CT REC HSG 10P CRIMP TYPE WHIT



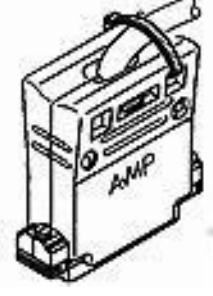
TE Part #1-1546405-1
ETHERNET DIRECT PCB MNT RCPT



TE Part #5-1478762-3
Metal backshell 25 way Top Ent



TE Part #1-1123723-6
3.96 EP HDR ASSY 6P(NATURAL)



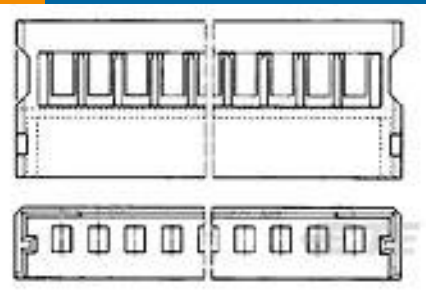
TE Part #5206471-1
CABLE CLAMP KIT,SZ 2



TE Part #353537-1
040-3 UNSEALED CONT.TAB(S)



TE Part #1473381-1
PC I/O REC KIT BAG /1PCS.



TE Part #917572-4
1.5 B-T-W PLUG HSG 4P BLACK



TE Part #2132186-1
EMI Gasket, QSFP/XFP 1x1



Documents

Product Drawings

[1.0VP REMODEL POST CONTACT](#)

Japanese

CAD Files

[3D PDF](#)

3D

Customer View Model

[ENG_CVM_CVM_2040973-2_B.2d_dxf.zip](#)

English

Customer View Model

[ENG_CVM_CVM_2040973-2_B.3d_igs.zip](#)

English

Customer View Model

[ENG_CVM_CVM_2040973-2_B.3d_stp.zip](#)

English

By downloading the CAD file I accept and agree to the [Terms and Conditions](#) of use.

Product Specifications

[Application Specification](#)

English