



Industrial USB IP20

TE Internal #: 2040305-1

USB Connectors, A, 2.0, Standard Profile, Plug, 1 Port, Cable Mount, Straight, Bag, IP20, Wire-to-Wire, 4 Position, Wire & Cable, Industrial USB IP20

[View on TE.com >](#)

Connectors > Audio & Video Connectors > USB Connectors



USB Adapter Type: **A**

USB Version: **2.0**

Connector Profile: **Standard**

Connector & Housing Type: **Plug**

Number of Ports: **1**

Features

Product Type Features

| | |
|-----------------------------------|----------------|
| Integral Locking Latch | With |
| USB Adapter Type | A |
| USB Version | 2.0 |
| Connector & Housing Type | Plug |
| Connector System | Wire-to-Wire |
| Sealable | No |
| Connector & Contact Terminates To | Wire & Cable |
| USB Connector Type | USB 2.0 Type-A |

Configuration Features

| | |
|---------------------|---|
| Number of Ports | 1 |
| Number of Positions | 4 |

Body Features

| | |
|------------------------|--------------------|
| Shell Plating Material | Nickel over Copper |
| Connector Profile | Standard |



Contact Features

| | |
|--|-------------------|
| Contact Mating Area Plating Material Thickness | .76 µm[29.92 µin] |
| Contact Mating Area Plating Material | Gold |
| Contact Current Rating (Max) | 1.5 A |

Mechanical Attachment

| | |
|--------------------------|----------------------------|
| Locking Feature | With |
| PCB Mount Location | Cable Mount |
| PCB Mount Retention Type | None |
| Connector Mounting Type | Cable Mount (Free-Hanging) |

Housing Features

| | |
|------------------|----------|
| Housing Material | Plastic |
| Housing Color | Black |
| Body Orientation | Straight |

Usage Conditions

| | |
|-----------------------------|---------------------------|
| Soldering Temperature (Max) | 350 °C[662 °F] |
| Operating Temperature Range | -55 – 85 °C[-67 – 185 °F] |

Operation/Application

| | |
|--------------------------|---------------------------------|
| Assembly Process Feature | None |
| Circuit Application | Power, Signal & High Speed Data |

Industry Standards

| | |
|-------------------|---------|
| Industry Standard | USB 2.0 |
| IP Rating | IP20 |

Packaging Features

| | |
|--------------------|-----|
| Packaging Quantity | 500 |
| Packaging Method | Bag |

Other

| | |
|---------------------------------|-------------------|
| Audio & Video Connector Comment | Latching USB Plug |
|---------------------------------|-------------------|

Product Compliance

For compliance documentation, visit the product page on TE.com>

| | |
|------------------------------|-----------|
| EU RoHS Directive 2011/65/EU | Compliant |
|------------------------------|-----------|



| | |
|---|---|
| EU ELV Directive 2000/53/EC | Compliant |
| China RoHS 2 Directive MIIT Order No 32, 2016 | No Restricted Materials Above Threshold |
| EU REACH Regulation (EC) No. 1907/2006 | Current ECHA Candidate List: JUNE 2023 (235) Candidate List Declared Against: JUNE 2023 (235) Does not contain REACH SVHC |
| Halogen Content | Not Low Halogen - contains Br or Cl > 900 ppm. |
| Solder Process Capability | Not applicable for solder process capability |

Product Compliance Disclaimer

This information is provided based on reasonable inquiry of our suppliers and represents our current actual knowledge based on the information they provided. This information is subject to change. The part numbers that TE has identified as EU RoHS compliant have a maximum concentration of 0.1% by weight in homogenous materials for lead, hexavalent chromium, mercury, PBB, PBDE, DBP, BBP, DEHP, DIBP, and 0.01% for cadmium, or qualify for an exemption to these limits as defined in the Annexes of Directive 2011/65/EU (RoHS2). Finished electrical and electronic equipment products will be CE marked as required by Directive 2011/65/EU. Components may not be CE marked. Additionally, the part numbers that TE has identified as EU ELV compliant have a maximum concentration of 0.1% by weight in homogenous materials for lead, hexavalent chromium, and mercury, and 0.01% for cadmium, or qualify for an exemption to these limits as defined in the Annexes of Directive 2000/53/EC (ELV). Regarding the REACH Regulation, the information TE provides on SVHC in articles for this part number is based on the latest European Chemicals Agency (ECHA) 'Guidance on requirements for substances in articles' posted at this URL: <https://echa.europa.eu/guidance-documents/guidance-on-reach>

Compatible Parts



Also in the Series | Industrial USB IP20



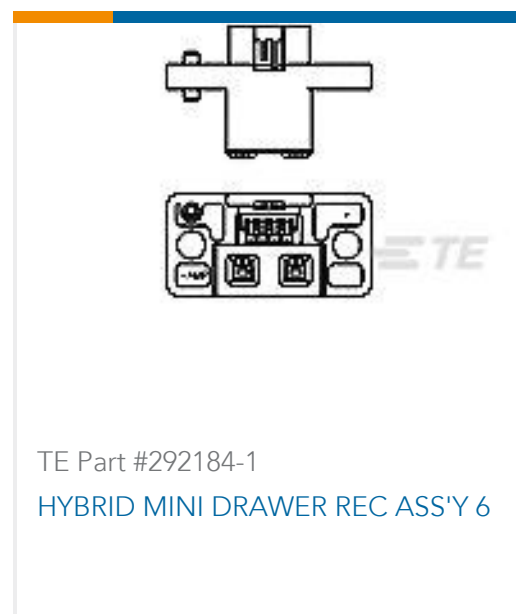
Customers Also Bought



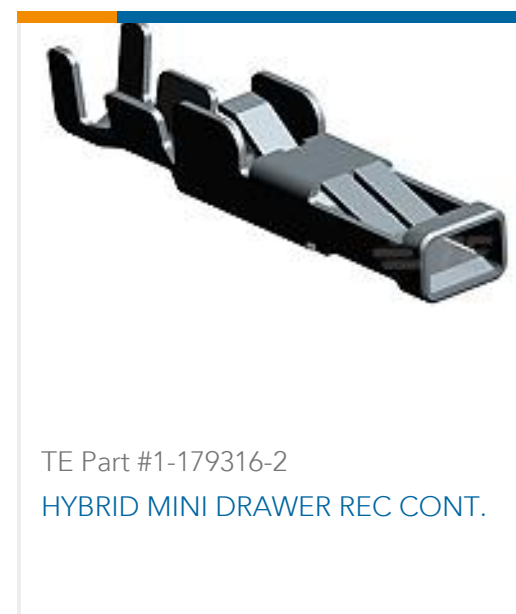
TE Part #2-353294-6
AMP MINI D/R HDR HSG 26P NATU



TE Part #2-353294-2
AMP MINI D/R HDR HSG 22P NATU



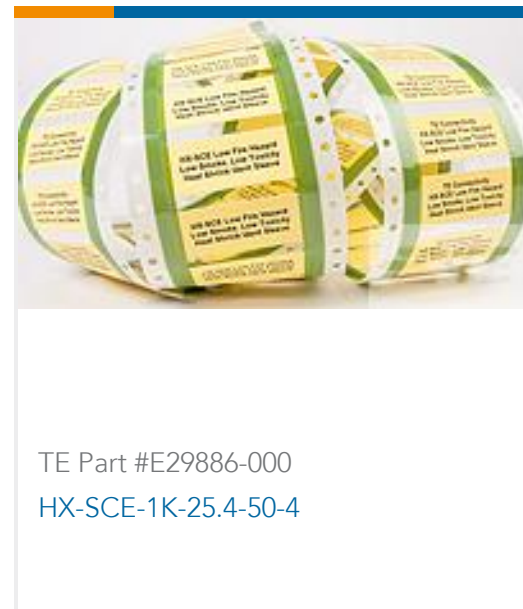
TE Part #292184-1
HYBRID MINI DRAWER REC ASS'Y 6



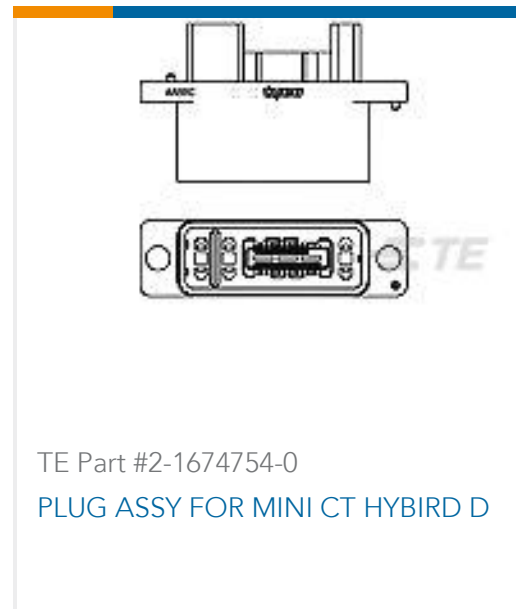
TE Part #1-179316-2
HYBRID MINI DRAWER REC CONT.



TE Part #8-1879061-9
CPF 0402 47K 0.1% 25PPM 5K RL



TE Part #E29886-000
HX-SCE-1K-25.4-50-4



TE Part #2-1674754-0
PLUG ASSY FOR MINI CT HYBRID D



TE Part #2-1674755-0
REC ASSY FOR MINI CT HYBRID DR



TE Part #1734372-1
Std USB, Type A, Plug



TE Part #60736-2
FASTON 250 FLAG REC 24-20 AWG
TPBR

Documents

Product Drawings

INDUSTRIAL USB PLUG KIT BULK PACK STYLE

English

CAD Files

Customer View Model

[ENG_CVM_CVM_2040305-1_C.2d_dxf.zip](#)

English

3D PDF

3D

Customer View Model

[ENG_CVM_CVM_2040305-1_C.3d_igs.zip](#)

English

Customer View Model

[ENG_CVM_CVM_2040305-1_C.3d_stp.zip](#)

English

By downloading the CAD file I accept and agree to the [Terms and Conditions](#) of use.

Datasheets & Catalog Pages



[USB Quick Reference Guide \(English\)](#)

English

[Product Specifications](#)

[INDUSTRIAL USB PLUG CONNECTOR KIT](#)

Japanese

[Application Specification](#)

Japanese

[Product Environmental Compliance](#)

[MD_2040305-1_041220132220_dmtec](#)

English

[MD_2040305-1_041220132220_dmtec](#)

English