

203432-1 ✓ ACTIVE

AMP | AMP M Series

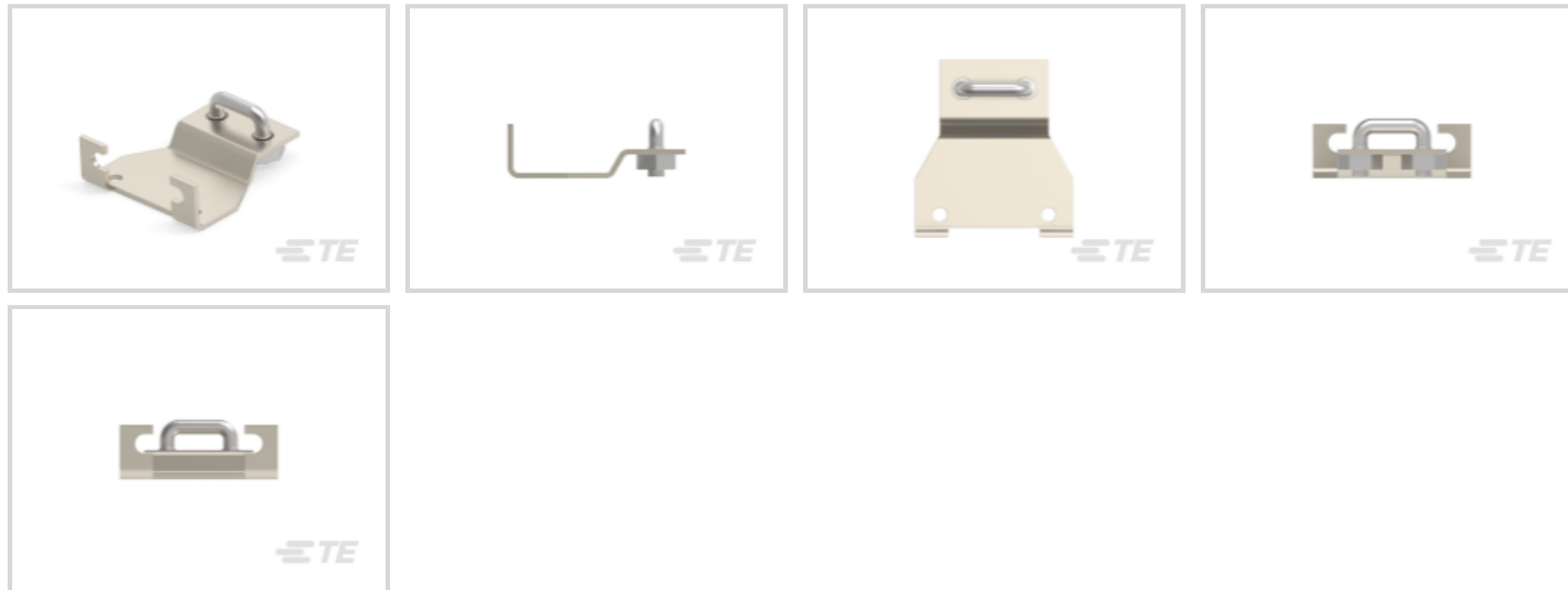
TE Internal #: 203432-1

Rectangular Connector Hardware, Strain Relief Clamp, 6 Position,
-55 – 150 °C [-67 – 302 °F], AMP M Series

[View on TE.com >](#)



Connectors > Rectangular Connectors > Rectangular Connector Accessories > Rectangular Connector Hardware



Connector Hardware Type: **Strain Relief Clamp**

Number of Positions: **6**

Operating Temperature Range: **-55 – 150 °C [-67 – 302 °F]**

Features

Configuration Features

Number of Positions	6
---------------------	---

Body Features

Strain Relief Type	Shield & Cable Clamp
Primary Product Plating Material	Nickel
Primary Product Material	Carbon Steel
Cable Exit Angle	180°, 90°

Mechanical Attachment

Strain Relief	With
Mounting Hardware	U Bolt and Hex Nuts
Thread Size	4-40
Connector Hardware Type	Strain Relief Clamp

Dimensions

Product Length	28.58 mm[1.125 in]
Product Height	25.4 mm[1 in]

Usage Conditions

Operating Temperature Range	-55 – 150 °C[-67 – 302 °F]
-----------------------------	----------------------------



Packaging Features

Packaging Quantity	1
Packaging Method	Bag

Other

Connector Accessory Comment	Hardware supplied unassembled.
-----------------------------	--------------------------------

Product Compliance

[For compliance documentation, visit the product page on TE.com>](#)

EU RoHS Directive 2011/65/EU	Compliant
EU ELV Directive 2000/53/EC	Compliant
China RoHS 2 Directive MIIT Order No 32, 2016	No Restricted Materials Above Threshold
EU REACH Regulation (EC) No. 1907/2006	Current ECHA Candidate List: JUNE 2023 (235) Candidate List Declared Against: JUNE 2022 (224) Does not contain REACH SVHC
Halogen Content	Low Halogen - Br, Cl, F, I < 900 ppm per homogenous material. Also BFR/CFR/PVC Free
Solder Process Capability	Not applicable for solder process capability

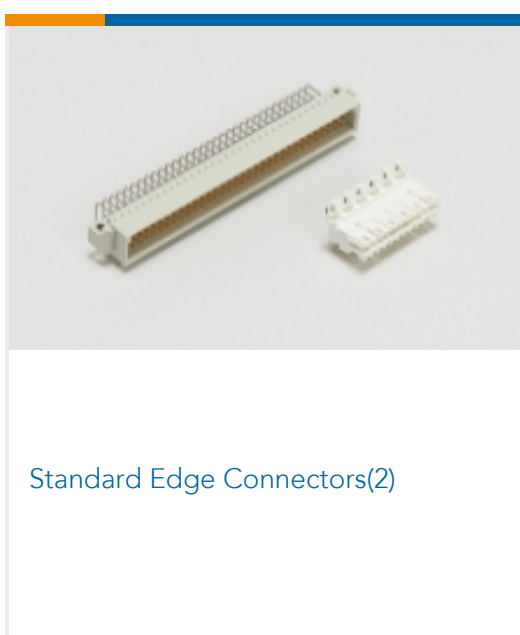
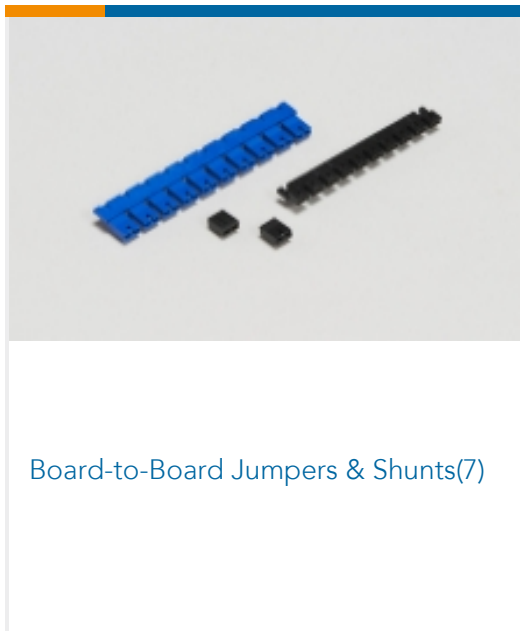
Product Compliance Disclaimer

This information is provided based on reasonable inquiry of our suppliers and represents our current actual knowledge based on the information they provided. This information is subject to change. The part numbers that TE has identified as EU RoHS compliant have a maximum concentration of 0.1% by weight in homogenous materials for lead, hexavalent chromium, mercury, PBB, PBDE, DBP, BBP, DEHP, DIBP, and 0.01% for cadmium, or qualify for an exemption to these limits as defined in the Annexes of Directive 2011/65/EU (RoHS2). Finished electrical and electronic equipment products will be CE marked as required by Directive 2011/65/EU. Components may not be CE marked. Additionally, the part numbers that TE has identified as EU ELV compliant have a maximum concentration of 0.1% by weight in homogenous materials for lead, hexavalent chromium, and mercury, and 0.01% for cadmium, or qualify for an exemption to these limits as defined in the Annexes of Directive 2000/53/EC (ELV). Regarding the REACH Regulations, TE's information on SVHC in articles for this part number is still based on the European Chemical Agency (ECHA) 'Guidance on requirements for substances in articles' (Version: 2, April 2011), applying the 0.1% weight on weight concentration threshold at the finished product level. TE is aware of the European Court of Justice ruling of September 10th, 2015 also known as O5A (Once An Article Always An Article) stating that, in case of 'complex object', the threshold for a SVHC must be applied to both the product as a whole and simultaneously to each of the articles forming part of its composition. TE has evaluated this ruling based on the new ECHA "Guidance on requirements for substances in articles" (June 2017, version 4.0) and will be updating its statements accordingly.

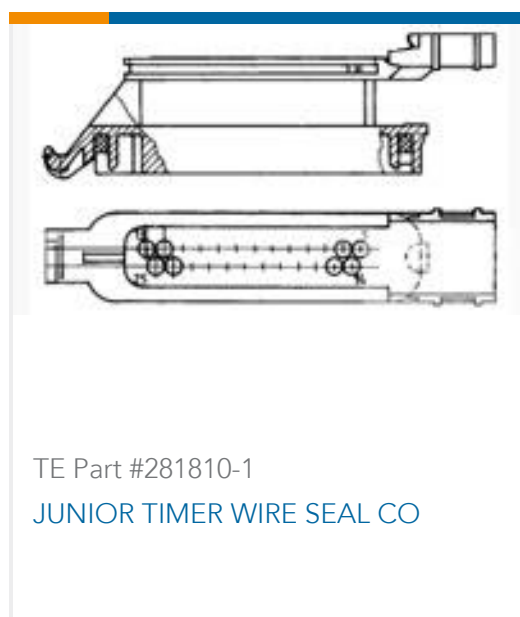
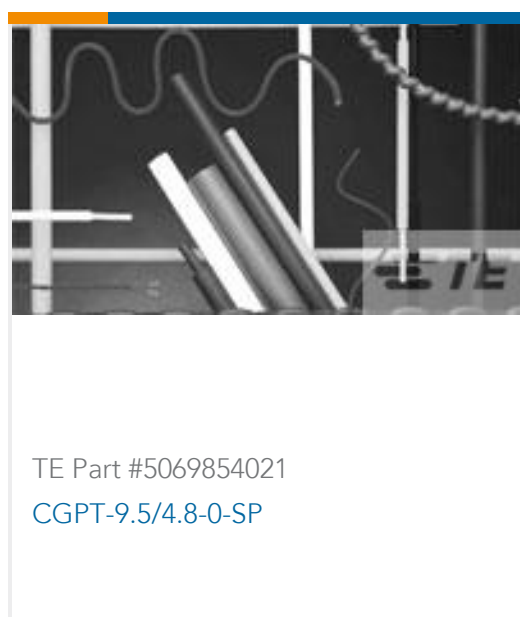
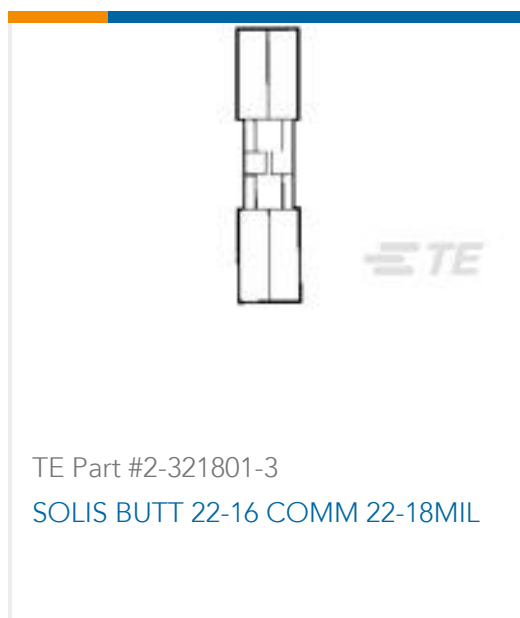
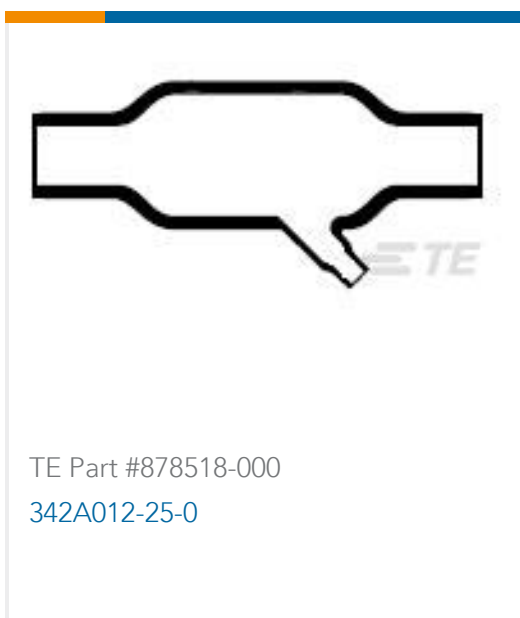
Compatible Parts

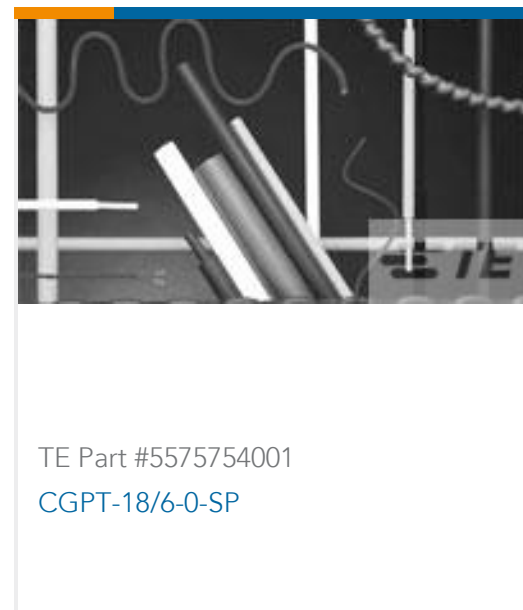


Also in the Series | AMP M Series



Customers Also Bought





Documents

Product Drawings

6 POS. RELIEF CLAMP

English

CAD Files

Customer View Model

[ENG_CVM_203432-1_E.3d_igs.zip](#)

English

Customer View Model

[ENG_CVM_203432-1_E.3d_stp.zip](#)

English

Customer View Model

[ENG_CVM_203432-1_E.2d_dxf.zip](#)

English

3D PDF

English

Customer View Model

[ENG_CVM_CVM_203432-1_D.3d_igs.zip](#)

English

Customer View Model

[ENG_CVM_CVM_203432-1_D.3d_stp.zip](#)

English

Customer View Model

[ENG_CVM_CVM_203432-1_D.2d_dxf.zip](#)

English

3D PDF

3D

By downloading the CAD file I accept and agree to the [Terms and Conditions](#) of use.

Datasheets & Catalog Pages

M_SERIES_PIN_AND_SOCKET_CONNECTORS

English