



TE Internal #: 2031991-1  
 Hand Crimping Tools, Commercial Crimp Tooling, Operator  
 Releasable & Adjustable, Removable/Interchangeable, TE Product  
 Specification (114-), Manual  
[View on TE.com >](#)

Application Tooling > Hand Crimping Tools



Tool Grade: **Commercial Crimp Tooling**  
 Ratchet Configuration: **Operator Releasable & Adjustable**  
 Die Sets Type: **Removable/Interchangeable**  
 Specification Type: **TE Product Specification (114-)**  
 TE Certification: **No**

### Features

#### Other

Crimp Form-Wire Barrel Type	Open Barrel - F Crimp
Tool Grade	Commercial Crimp Tooling
Ratchet Configuration	Operator Releasable & Adjustable
Die Sets Type	Removable/Interchangeable
Specification Type	TE Product Specification (114-)
TE Certification	No
Power Technology Type	Manual
Tooling Type	SDE Crimp Hand Tool

### Product Compliance

[For compliance documentation, visit the product page on TE.com>](#)

EU RoHS Directive 2011/65/EU	Out of Scope
EU ELV Directive 2000/53/EC	Out of Scope
China RoHS 2 Directive MIIT Order No 32, 2016	Not reviewed for China RoHS compliance
EU REACH Regulation (EC) No. 1907/2006	Current ECHA Candidate List: JUNE 2023 (235) Candidate List Declared Against: JUL 2021 (219) Does not contain REACH SVHC
Halogen Content	Not Yet Reviewed for halogen content

Solder Process Capability

Not applicable for solder process capability

Product Compliance Disclaimer

This information is provided based on reasonable inquiry of our suppliers and represents our current actual knowledge based on the information they provided. This information is subject to change. The part numbers that TE has identified as EU RoHS compliant have a maximum concentration of 0.1% by weight in homogenous materials for lead, hexavalent chromium, mercury, PBB, PBDE, DBP, BBP, DEHP, DIBP, and 0.01% for cadmium, or qualify for an exemption to these limits as defined in the Annexes of Directive 2011/65/EU (RoHS2). Finished electrical and electronic equipment products will be CE marked as required by Directive 2011/65/EU. Components may not be CE marked. Additionally, the part numbers that TE has identified as EU ELV compliant have a maximum concentration of 0.1% by weight in homogenous materials for lead, hexavalent chromium, and mercury, and 0.01% for cadmium, or qualify for an exemption to these limits as defined in the Annexes of Directive 2000/53/EC (ELV). Regarding the REACH Regulation, the information TE provides on SVHC in articles for this part number is based on the latest European Chemicals Agency (ECHA) 'Guidance on requirements for substances in articles' posted at this URL: <https://echa.europa.eu/guidance-documents/guidance-on-reach>

### Compatible Parts



TE Part # 929930-3  
JUN-POW-TIM CONTACT L/P



TE Part # 929938-1  
JPT REC 2.8 Contact SWS Sn (LP)



TE Part # 2-929930-1  
JUN-POW-TIM CONTACT



TE Part # 2031991-2  
SDE JPT 12-24AWG DIE SET



TE Part # 929942-1  
JUN-POW-TIM KONTAKT

TE Part # 2-929940-1  
JPT REC 2.8 Contact SWS Au (LP)

TE Part # 927776-3  
JUNIOR POWER TIMER CONTACT

TE Part # 1-929940-1  
JUN-POW-TIM CONTACT



TE Part # 929931-1  
JUN-POW-TIM CONTACT

TE Part # 929942-3  
JUN-POW-TIM CONTACT

TE Part # 1-929930-1  
JUN-POW-TIM KONT

TE Part # 2-929938-1  
JUN-POW-TIM CONTACT (LOOSE PIE

### Customers Also Bought



TE Part #4-1579007-3  
EXTRACTION TOOL KIT



TE Part #2-35135-2  
TERMINAL,SOLIS R 12-10 1/2



TE Part #1-963449-2  
JPT GEH KOMPL 29P



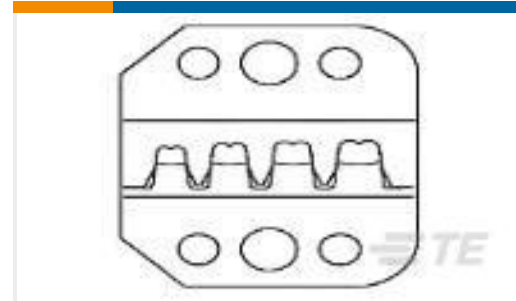
TE Part #321870  
TERMINAL SOLIS R 2/0 5/16



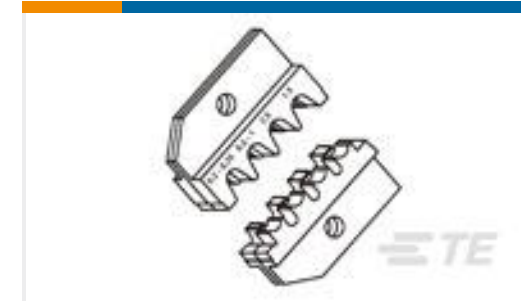
TE Part #1217092-1  
PL 250 TERMINAL RECEPTACLE 16-12  
AWG BR



TE Part #2063525-1  
SDE MQS 0.5-0.75mm2 ASSY



TE Part #2063530-2  
SDE MQS 0.5-0.75mm2 DIE SET



TE Part #539650-2  
MATRIZE JPT/TAB EDS



TE Part #9-1478240-0  
SDE SA PEW12 HAND TOOL FRAME-  
NO DIES

## Documents

### Datasheets & Catalog Pages

#### Bottoming Dies

English

### Instruction Sheets

#### Instruction Sheet (U.S.)

English