



Connectors > Power Connectors > Power Contacts



Power Contact Type: **Contact**

Contact Mating Area Plating Material: **Gold**

Wire Size: **2 – 3 mm²**

Sealable: **No**

Features

Product Type Features

Power Contact Type	Contact
Sealable	No
Connector & Contact Terminates To	Wire & Cable

Contact Features

Contact Size	Size 16
Contact Mating Area Plating Material	Gold
Contact Current Rating (Max)	23 A
Contact Type	Pin
Contact Retention Within Housing	With
Mating Pin Diameter	2.38 mm[.094 in]
Contact Base Material	Phosphor Bronze
Contact Mating Area Plating Material Thickness	.76 μm[30 μin]
Contact Mating Area Plating Material Finish	Bright
Wire Contact Termination Area Plating Material	Gold
Wire Contact Termination Area Plating Material Finish	Bright



Contact Orientation	Straight
Contact Underplating Material	Nickel
Contact Underplating Material Thickness	1.27 – 1.29 μm[52 – 50 μin]

Termination Features

Termination Method to Wire & Cable	Crimp
------------------------------------	-------

Mechanical Attachment

Contact Retention Type Within Housing	Snap-In
Wire Insulation Support	Without

Dimensions

Wire Size	2 – 3 mm ²
-----------	-----------------------

Operation/Application

Circuit Application	Power
---------------------	-------

Packaging Features

Packaging Quantity	100
Packaging Method	Bag

Product Compliance

[For compliance documentation, visit the product page on TE.com>](#)

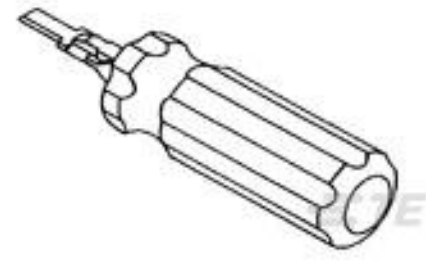
EU RoHS Directive 2011/65/EU	Compliant with Exemptions
EU ELV Directive 2000/53/EC	Compliant with Exemptions
China RoHS 2 Directive MIIT Order No 32, 2016	Restricted Materials Above Threshold
EU REACH Regulation (EC) No. 1907/2006	Current ECHA Candidate List: JUNE 2023 (235) Candidate List Declared Against: JUNE 2023 (235) SVHC > Threshold: Pb (2.5% in Component Part) Article Safe Usage Statements: Do not eat, drink or smoke when using this product. Wash thoroughly after handling. Recycle if possible and dispose of the article by following all applicable governmental regulations relevant to your geographic location.
Halogen Content	Low Halogen - Br, Cl, F, I < 900 ppm per homogenous material. Also BFR/CFR/PVC Free
Solder Process Capability	Not applicable for solder process capability

Product Compliance Disclaimer



This information is provided based on reasonable inquiry of our suppliers and represents our current actual knowledge based on the information they provided. This information is subject to change. The part numbers that TE has identified as EU RoHS compliant have a maximum concentration of 0.1% by weight in homogenous materials for lead, hexavalent chromium, mercury, PBB, PBDE, DBP, BBP, DEHP, DIBP, and 0.01% for cadmium, or qualify for an exemption to these limits as defined in the Annexes of Directive 2011/65/EU (RoHS2). Finished electrical and electronic equipment products will be CE marked as required by Directive 2011/65/EU. Components may not be CE marked. Additionally, the part numbers that TE has identified as EU ELV compliant have a maximum concentration of 0.1% by weight in homogenous materials for lead, hexavalent chromium, and mercury, and 0.01% for cadmium, or qualify for an exemption to these limits as defined in the Annexes of Directive 2000/53/EC (ELV). Regarding the REACH Regulation, the information TE provides on SVHC in articles for this part number is based on the latest European Chemicals Agency (ECHA) 'Guidance on requirements for substances in articles' posted at this URL: <https://echa.europa.eu/guidance-documents/guidance-on-reach>

Compatible Parts



TE Part # 305183-8
ET TYPE IV #20




TE Part # 202417-1
SKT CONT ASSY,TYPE I




TE Part # 356304-1
TOOL HOLDER ASSY, STRHT ACTION

Also in the Series | METRIMATE Power VIII



Insertion & Extraction Tools(1)



Power Contacts(11)

Customers Also Bought



TE Part #32589
TERMINAL,PIDG SPD 12-10 10



TE Part #200336-1
Pin and Socket Contacts, Type II



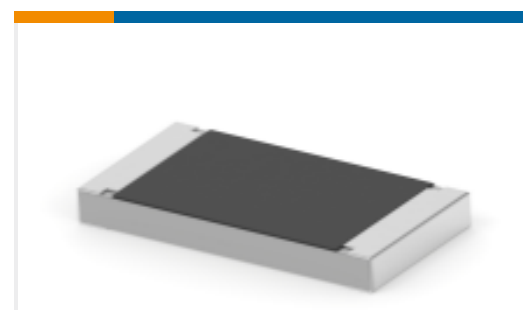
TE Part #5-1879071-4
THS50 2K2 5%



TE Part #1393240-4
RT314524



TE Part #1052422-1
2052 0000 02,SMA FM JACK RECPT



TE Part #2176350-1
CRGCO 2512 1R0 5%



TE Part #201580-1
SKT CONT ASSY,TYPE II



TE Part #1-200835-1
SERIES "M" MIN. RECT. GUIDE SOC

Documents

Product Drawings

PIN CONT ASSY,TYPE I

English

CAD Files

Customer View Model

[ENG_CVM_202422-1_H.3d_igs.zip](#)

English

Customer View Model

[ENG_CVM_202422-1_H.3d_stp.zip](#)

English

Customer View Model

[ENG_CVM_202422-1_H.2d_dxf.zip](#)

English

3D PDF

English

By downloading the CAD file I accept and agree to the [Terms and Conditions](#) of use.

Datasheets & Catalog Pages

Power Contacts

English

[M_SERIES_PIN_AND_SOCKET_CONNECTORS](#)

English

Product Specifications

Product Specification

English

Product Specification

Japanese

Connector, Breakaway

English

Product Specification

English

Contact, Type I, Crimp Type for Electrical Connectors

English



Product Environmental Compliance

Product Compliance

English

Product Compliance

English

Instruction Sheets

Instruction Sheet (U.S.)

English

AMP SELECTION CHART FOR AMP TYPE I PIN AND SOCKET CONTACTS

English

Instruction Sheet (U.S.)

English

Type I Contact Crimping Die-Set for use in Air Guns

English