



AMP | AMP Type III+

TE Internal #: 202237-2

Power Contacts, Contact, Tin-Lead, Wire & Cable, Solder Tab, Power & Signal, Socket, -55 – 90 °C [-67 – 194 °F], Brass, Bright, AMP Type III+

[View on TE.com >](#)

Connectors > Power Connectors > Power Contacts



Power Contact Type: **Contact**

Contact Mating Area Plating Material: **Tin-Lead**

Connector & Contact Terminates To: **Wire & Cable**

Termination Method to Wire & Cable: **Solder Tab**

Contact Current Rating (Max): **13 A**

**Features**

**Product Type Features**

Power Contact Type	Contact
Connector & Contact Terminates To	Wire & Cable

**Contact Features**

Contact Size	Size 16
Contact Mating Area Plating Material	Tin-Lead
Contact Current Rating (Max)	13 A
Contact Type	Socket
Contact Retention Within Housing	With
Mating Pin Diameter	1.57 mm[.062 in]
Contact Base Material	Brass
Contact Mating Area Plating Material Thickness	2.54 µm[100 µin]
Contact Mating Area Plating Material Finish	Bright
Wire Contact Termination Area Plating Thickness	2.54 µm[100 µin]
Wire Contact Termination Area Plating Material	Tin-Lead



Contact Orientation	Straight
---------------------	----------

Contact Underplating Material	Nickel
-------------------------------	--------

Contact Underplating Material Thickness	.76 µm[30 µin]
---	----------------

### Termination Features

Termination Method to Wire & Cable	Solder Tab
------------------------------------	------------

### Mechanical Attachment

Wire Insulation Support	Without
-------------------------	---------

### Usage Conditions

Operating Temperature Range	-55 – 90 °C[-67 – 194 °F]
-----------------------------	---------------------------

### Operation/Application

Circuit Application	Power & Signal
---------------------	----------------

### Packaging Features

Packaging Quantity	1000
--------------------	------

Packaging Method	Carton
------------------	--------

### Other

Power Connectors Comment	These contacts can be used in MultiMate contact positions of all connector housings.
--------------------------	--

## Product Compliance

[For compliance documentation, visit the product page on TE.com>](#)

EU RoHS Directive 2011/65/EU	Not Compliant
------------------------------	---------------

EU ELV Directive 2000/53/EC	Compliant with Exemptions
-----------------------------	---------------------------

China RoHS 2 Directive MIIT Order No 32, 2016	Restricted Materials Above Threshold
---	--------------------------------------

EU REACH Regulation (EC) No. 1907/2006	Current ECHA Candidate List: JUNE 2023 (235) Candidate List Declared Against: JUNE 2023 (235) SVHC > Threshold: Pb (13% in Component Part)
--	---

#### Article Safe Usage Statements:

Do not eat, drink or smoke when using this product. Wash thoroughly after handling. Recycle if possible and dispose of the article by following all applicable governmental regulations relevant to your geographic location.

Halogen Content	Low Halogen - Br, Cl, F, I < 900 ppm per homogenous material. Also BFR/CFR/PVC Free
-----------------	---

Solder Process Capability	Not applicable for solder process capability
---------------------------	--

Product Compliance Disclaimer

This information is provided based on reasonable inquiry of our suppliers and represents our current actual knowledge based on the information they provided. This information is subject to change. The part numbers that TE has identified as EU RoHS compliant have a maximum concentration of 0.1% by weight in homogenous materials for lead, hexavalent chromium, mercury, PBB, PBDE, DBP, BBP, DEHP, DIBP, and 0.01% for cadmium, or qualify for an exemption to these limits as defined in the Annexes of Directive 2011/65/EU (RoHS2). Finished electrical and electronic equipment products will be CE marked as required by Directive 2011/65/EU. Components may not be CE marked. Additionally, the part numbers that TE has identified as EU ELV compliant have a maximum concentration of 0.1% by weight in homogenous materials for lead, hexavalent chromium, and mercury, and 0.01% for cadmium, or qualify for an exemption to these limits as defined in the Annexes of Directive 2000/53/EC (ELV). Regarding the REACH Regulation, the information TE provides on SVHC in articles for this part number is based on the latest European Chemicals Agency (ECHA) 'Guidance on requirements for substances in articles' posted at this URL: <https://echa.europa.eu/guidance-documents/guidance-on-reach>

### Compatible Parts



TE Part # 200893-2  
INSERTION TOOL CONT




TE Part # 305183  
EXTRACT TOOL TYPE 2 20-16

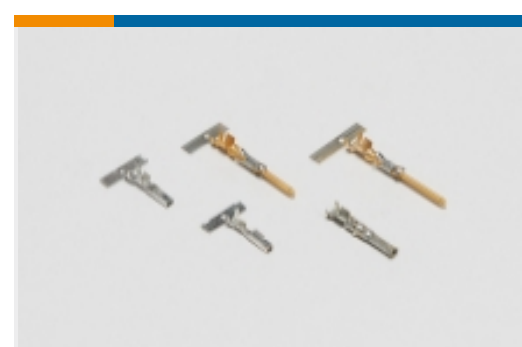


TE Part # 539972-1  
EXTRACTION TOOL

### Also in the Series | AMP Type III+

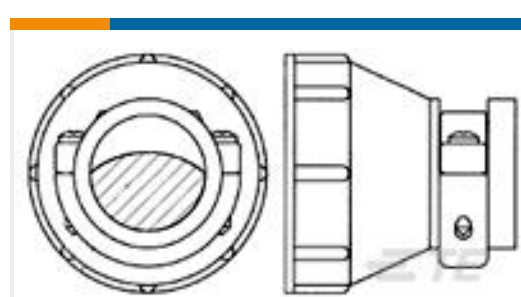


Insertion & Extraction Tools(4)



Power Contacts(409)

### Customers Also Bought



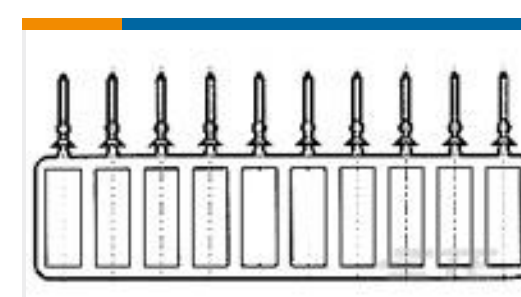
TE Part #208945-8  
SZ 28 UNASSM KIT,CMC



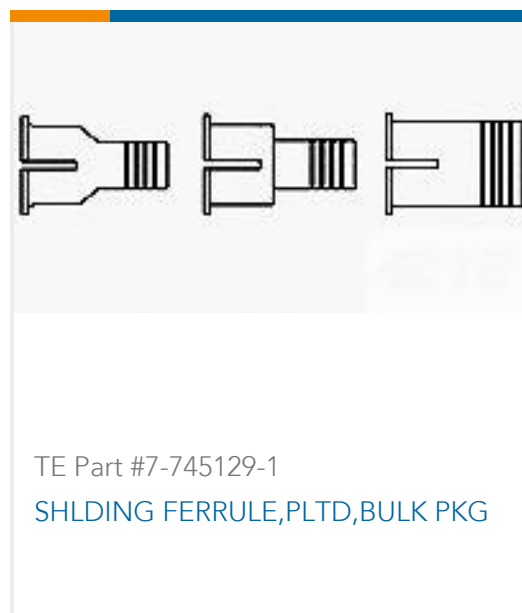
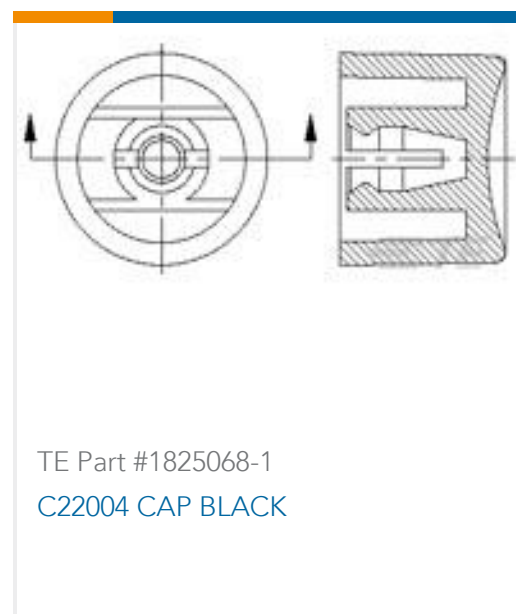
TE Part #165514-1  
TERM, WIRE PIN, PIDG, 26-22



TE Part #3-643816-4  
04P MTA100 CONN ASSY POL RIB



TE Part #641623-1  
MTA156 KEYING PLUG (10/STRIP)



## Documents

### Product Drawings

III+ SOC,SOLTAB,TIN-LEAD,LP

English

### CAD Files

3D PDF

English

Customer View Model

[ENG\\_CVM\\_202237-2\\_T.2d\\_dxf.zip](#)

English

Customer View Model

[ENG\\_CVM\\_202237-2\\_T.3d\\_igs.zip](#)

English

Customer View Model

[ENG\\_CVM\\_202237-2\\_T.3d\\_stp.zip](#)

English

3D PDF

3D

Customer View Model

[ENG\\_CVM\\_CVM\\_202237-2\\_W.2d\\_dxf.zip](#)

English

Customer View Model

[ENG\\_CVM\\_CVM\\_202237-2\\_W.3d\\_igs.zip](#)

English

Customer View Model

[ENG\\_CVM\\_CVM\\_202237-2\\_W.3d\\_stp.zip](#)

English



By downloading the CAD file I accept and agree to the [Terms and Conditions](#) of use.

## Datasheets & Catalog Pages

### M\_SERIES\_PIN\_AND\_SOCKET\_CONNECTORS

English

## Product Specifications

### Application Specification

English

## Product Environmental Compliance

### Product Compliance

English

### Product Compliance

English