



Relays, Contactors & Switches > Relays > Relay Accessories, Sockets & Clips



Relay Accessory, Socket & Clip Product Type: **Accessory**

Grounding Provision: **Without**

Relay Accessory Type: **Retaining Clip**

Features

Product Type Features

Relay Accessory, Socket & Clip Product Type	Accessory
Relay Accessory Type	Retaining Clip

Configuration Features

Grounding Provision	Without
---------------------	---------

Product Compliance

[For compliance documentation, visit the product page on TE.com>](#)

EU RoHS Directive 2011/65/EU	Compliant
EU ELV Directive 2000/53/EC	Compliant
China RoHS 2 Directive MIIT Order No 32, 2016	No Restricted Materials Above Threshold
EU REACH Regulation (EC) No. 1907/2006	Current ECHA Candidate List: JUNE 2023 (235) Candidate List Declared Against: JUNE 2023 (235) Does not contain REACH SVHC
Halogen Content	Low Halogen - Br, Cl, F, I < 900 ppm per homogenous material. Also BFR/CFR/PVC Free

Solder Process Capability

Not applicable for solder process capability

Product Compliance Disclaimer

This information is provided based on reasonable inquiry of our suppliers and represents our current actual knowledge based on the information they provided. This information is subject to change. The part numbers that TE has identified as EU RoHS compliant have a maximum concentration of 0.1% by weight in homogenous materials for lead, hexavalent chromium, mercury, PBB, PBDE, DBP, BBP, DEHP, DIBP, and 0.01% for cadmium, or qualify for an exemption to these limits as defined in the Annexes of Directive 2011/65/EU (RoHS2). Finished electrical and electronic equipment products will be CE marked as required by Directive 2011/65/EU. Components may not be CE marked. Additionally, the part numbers that TE has identified as EU ELV compliant have a maximum concentration of 0.1% by weight in homogenous materials for lead, hexavalent chromium, and mercury, and 0.01% for cadmium, or qualify for an exemption to these limits as defined in the Annexes of Directive 2000/53/EC (ELV). Regarding the REACH Regulation, the information TE provides on SVHC in articles for this part number is based on the latest European Chemicals Agency (ECHA) 'Guidance on requirements for substances in articles' posted at this URL: <https://echa.europa.eu/guidance-documents/guidance-on-reach>

Compatible Parts



TE Part # 6-1415035-1
RT78726



TE Part # 1860306-1
RT78725



TE Part # 1860200-1
RT7872P



TE Part # 1887213-1
XT484T30



TE Part # 1887113-3
XT374R24



TE Part # 1887112-1
XT374LC4



TE Part # 1887202-2
XT424L24



TE Part # 1887212-1
XT484LC4



TE Part # 1887100-3
XT314024



TE Part # 1887112-6
XT374L12



TE Part # 1887100-6
XT314110



TE Part # 1887113-1
XT374T30




TE Part # 1887212-2
XT484L24



TE Part # 1887213-3
XT484R24



TE Part # 1887100-2
XT314012



TE Part # 1887101-3
XT314524



TE Part # 1887101-7
XT314615



TE Part # 1887102-2
XT314L24

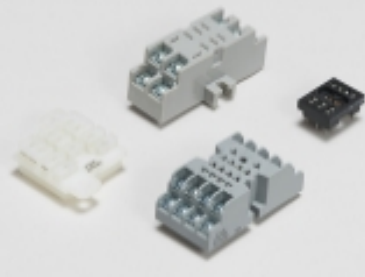


TE Part # 1887103-1
XT314T30



TE Part # 1887103-3
XT314R24

Also in the Series | SCHRACK Accessories PT/RT/XT

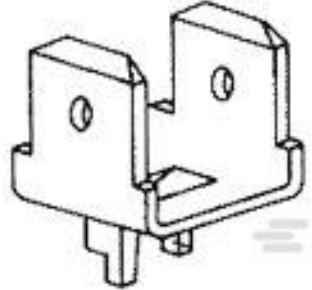


Relay Accessories, Sockets & Clips(33)

Customers Also Bought



TE Part #5-1415036-1
PTML0024



TE Part #62221-1
187 FASTON TAB TPBR



TE Part #2-1415036-1
PTMG0024



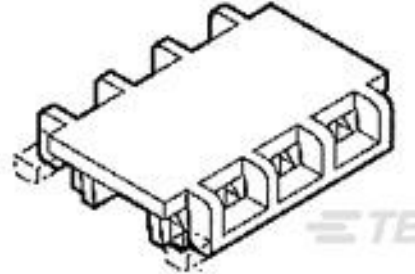
TE Part #ZPF000000000008596
983-6S 14-04 SN-L



TE Part #ZPF000000000000335
006-0912-12 A



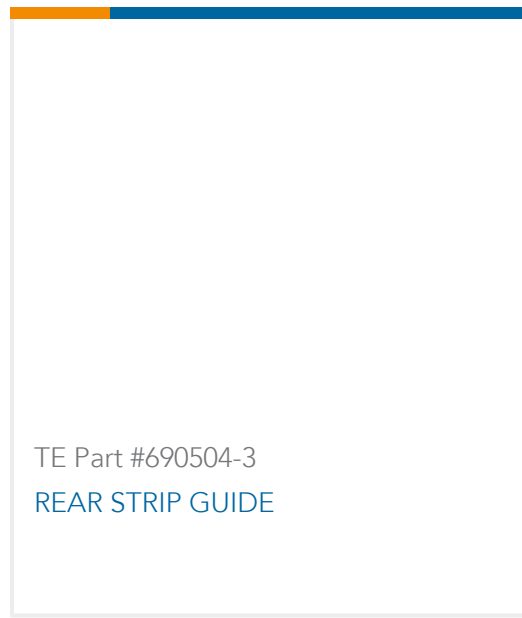
TE Part #8-1419111-7
PT570524



TE Part #1-643071-5
15P 156 CL MTA FD/TH COVER



TE Part #ZPF0000000000033222
983-0S 14-04 PN-L



Documents

CAD Files

[3D PDF](#)

3D

Customer View Model

[ENG_CVM_CVM_2022104-1_A_c-2022104-1-a.2d_dxf.zip](#)

English

Customer View Model

[ENG_CVM_CVM_2022104-1_A_c-2022104-1-a.3d_igs.zip](#)

English

Customer View Model

[ENG_CVM_CVM_2022104-1_A_c-2022104-1-a.3d_stp.zip](#)

English

By downloading the CAD file I accept and agree to the [Terms and Conditions](#) of use.

Datasheets & Catalog Pages

[Accessories - Power Relay XT](#)

English

Product Specifications

[Definitions General Purpose Relays](#)

English