



Connectors > Rectangular Connectors > Rectangular Connector Accessories > Rectangular Connector Hardware



Connector Hardware Type: **Guide Pin Kit**

Guide Pin/Socket Type: **Corner**

Number of Positions: **104**

Operating Temperature Range: **-55 – 150 °C [-67 – 302 °F]**

Features

Configuration Features

Number of Positions	104
---------------------	-----

Body Features

Primary Product Material	Stainless Steel
Guide Pin/Socket Type	Corner

Mechanical Attachment

Strain Relief	Without
Mounting Hardware	Nuts and Lockwashers
Thread Size	6-32
Connector Hardware Type	Guide Pin Kit

Dimensions

Product Width	6.35 mm[.25 in]
Product Length	27.86 mm[1.097 in]
Product Height	6.35 mm[.289 in]

Usage Conditions

Operating Temperature Range	-55 – 150 °C[-67 – 302 °F]
-----------------------------	----------------------------



Packaging Features

Packaging Quantity	100
Packaging Method	Bag

Product Compliance

[For compliance documentation, visit the product page on TE.com>](#)

EU RoHS Directive 2011/65/EU	Compliant
EU ELV Directive 2000/53/EC	Compliant
China RoHS 2 Directive MIIT Order No 32, 2016	No Restricted Materials Above Threshold
EU REACH Regulation (EC) No. 1907/2006	Current ECHA Candidate List: JUNE 2023 (235) Candidate List Declared Against: JAN 2023 (233) Does not contain REACH SVHC
Halogen Content	BFR/CFR/PVC Free, but Br/Cl >900 ppm in other sources.
Solder Process Capability	Not applicable for solder process capability

Product Compliance Disclaimer

This information is provided based on reasonable inquiry of our suppliers and represents our current actual knowledge based on the information they provided. This information is subject to change. The part numbers that TE has identified as EU RoHS compliant have a maximum concentration of 0.1% by weight in homogenous materials for lead, hexavalent chromium, mercury, PBB, PBDE, DBP, BBP, DEHP, DIBP, and 0.01% for cadmium, or qualify for an exemption to these limits as defined in the Annexes of Directive 2011/65/EU (RoHS2). Finished electrical and electronic equipment products will be CE marked as required by Directive 2011/65/EU. Components may not be CE marked. Additionally, the part numbers that TE has identified as EU ELV compliant have a maximum concentration of 0.1% by weight in homogenous materials for lead, hexavalent chromium, and mercury, and 0.01% for cadmium, or qualify for an exemption to these limits as defined in the Annexes of Directive 2000/53/EC (ELV). Regarding the REACH Regulation, the information TE provides on SVHC in articles for this part number is based on the latest European Chemicals Agency (ECHA) 'Guidance on requirements for substances in articles' posted at this URL: <https://echa.europa.eu/guidance-documents/guidance-on-reach>

Compatible Parts

 <p>TE Part # 202173-8 GUIDE PIN ASSY</p>	 <p>TE Part # 204099-2 SER *M* GUIDE SOCKET ASSM</p>	 <p>TE Part # 202174-4 GUIDE SOC. ASSY. 104 CTR. FSTN</p>
--	---	--

Customers Also Bought



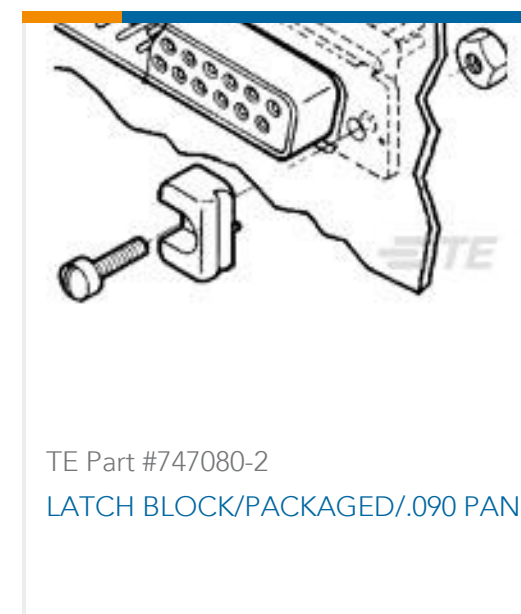
TE Part #1-206455-2
23-63 SZ CPC PSTD PIN RECPT LF



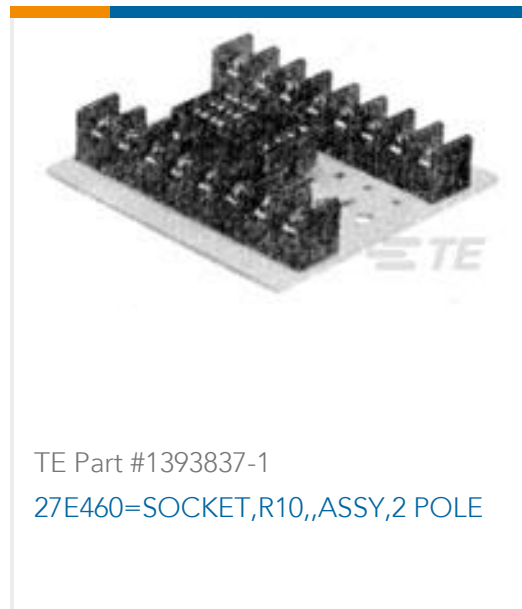
TE Part #6364106-4
A/L UNIV HDR 20P VERT LG LAT



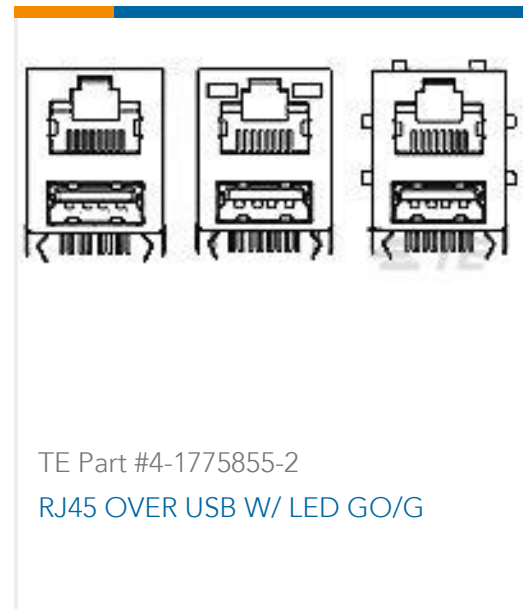
TE Part #745255-2
SPRING LATCH 2/BAG



TE Part #747080-2
LATCH BLOCK/PACKAGED/.090 PANL



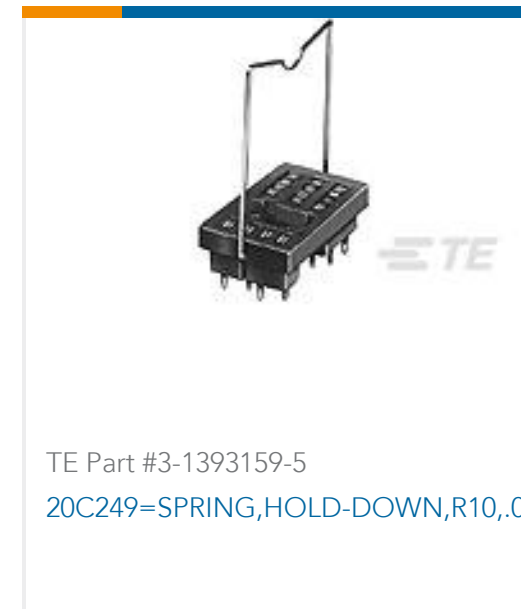
TE Part #1393837-1
27E460=SOCKET,R10,,ASSY,2 POLE



TE Part #4-1775855-2
RJ45 OVER USB W/ LED GO/G



TE Part #5-1393104-7
KRPA-11DY-24=KRPA



TE Part #3-1393159-5
20C249=SPRING,HOLD-DOWN,R10,,0



TE Part #55893-1
CRIMP.TOOL 22-10(SEALED PROD.)

Documents

Product Drawings

[104 CTR. FASTNR. GUIDE PIN ASY](#)

English

CAD Files

Customer View Model

[ENG_CVM_CVM_202173-7_S.2d_dxf.zip](#)

English

3D PDF

3D

Customer View Model

[ENG_CVM_CVM_202173-7_S.3d_igs.zip](#)

English

Customer View Model

[ENG_CVM_CVM_202173-7_S.3d_stp.zip](#)

English

By downloading the CAD file I accept and agree to the [Terms and Conditions](#) of use.

Datasheets & Catalog Pages



M_SERIES_PIN_AND_SOCKET_CONNECTORS

English