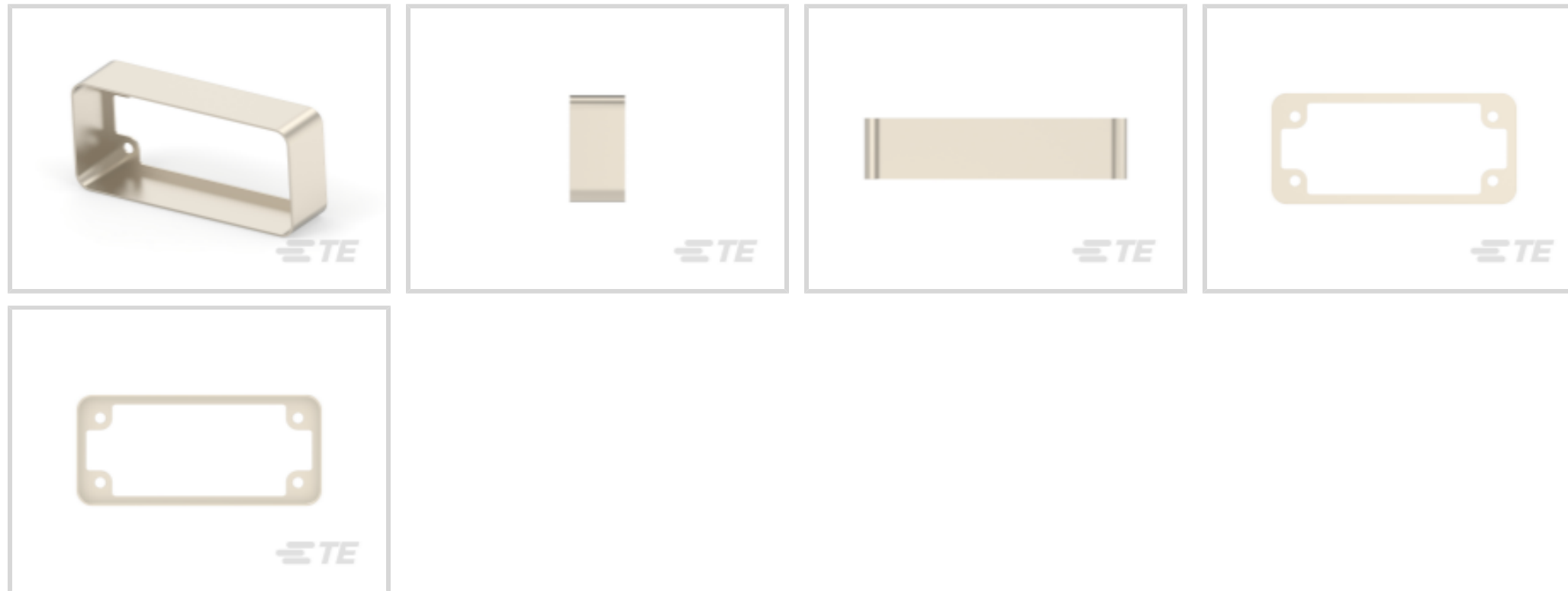




Connectors > Rectangular Connectors > Rectangular Connector Accessories > Rectangular Connector Hardware



Connector Hardware Type: **Pin Hood**

Pin Hood Type: **External Closed End**

Number of Positions: **104**

Operating Temperature Range: **-55 – 150 °C [-67 – 302 °F]**

Features

Configuration Features

Number of Positions	104
---------------------	-----

Body Features

Primary Product Material	Carbon Steel
--------------------------	--------------

Contact Features

Pin Hood Type	External Closed End
---------------	---------------------

Mechanical Attachment

Strain Relief	Without
---------------	---------

Connector Hardware Type	Pin Hood
-------------------------	----------

Dimensions

Product Width	35.56 mm[1.4 in]
---------------	------------------

Product Length	78.74 mm[3.1 in]
----------------	------------------

Product Height	18.24 mm[.718 in]
----------------	-------------------

Usage Conditions

Operating Temperature Range	-55 – 150 °C[-67 – 302 °F]
-----------------------------	----------------------------

Packaging Features

Packaging Quantity	100
Packaging Method	Bag

Product Compliance

[For compliance documentation, visit the product page on TE.com>](#)

EU RoHS Directive 2011/65/EU	Compliant
EU ELV Directive 2000/53/EC	Compliant
China RoHS 2 Directive MIIT Order No 32, 2016	No Restricted Materials Above Threshold
EU REACH Regulation (EC) No. 1907/2006	Current ECHA Candidate List: JUNE 2023 (235) Candidate List Declared Against: JAN 2023 (233) Does not contain REACH SVHC
Halogen Content	Low Halogen - Br, Cl, F, I < 900 ppm per homogenous material. Also BFR/CFR/PVC Free
Solder Process Capability	Not applicable for solder process capability

Product Compliance Disclaimer

This information is provided based on reasonable inquiry of our suppliers and represents our current actual knowledge based on the information they provided. This information is subject to change. The part numbers that TE has identified as EU RoHS compliant have a maximum concentration of 0.1% by weight in homogenous materials for lead, hexavalent chromium, mercury, PBB, PBDE, DBP, BBP, DEHP, DIBP, and 0.01% for cadmium, or qualify for an exemption to these limits as defined in the Annexes of Directive 2011/65/EU (RoHS2). Finished electrical and electronic equipment products will be CE marked as required by Directive 2011/65/EU. Components may not be CE marked. Additionally, the part numbers that TE has identified as EU ELV compliant have a maximum concentration of 0.1% by weight in homogenous materials for lead, hexavalent chromium, and mercury, and 0.01% for cadmium, or qualify for an exemption to these limits as defined in the Annexes of Directive 2000/53/EC (ELV). Regarding the REACH Regulation, the information TE provides on SVHC in articles for this part number is based on the latest European Chemicals Agency (ECHA) 'Guidance on requirements for substances in articles' posted at this URL: <https://echa.europa.eu/guidance-documents/guidance-on-reach>

Compatible Parts



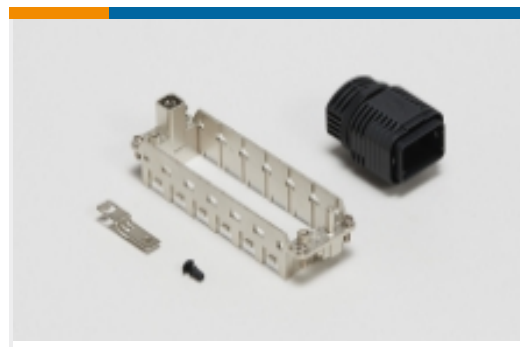
Also in the Series | [NECTOR M Series](#)



Circular Connector Hardware(1)



Plug & Socket Lighting Connector Accessories(1)



Rectangular Connector Hardware(13)



Rectangular Power Connectors(2)



Standard Circular Connectors(124)

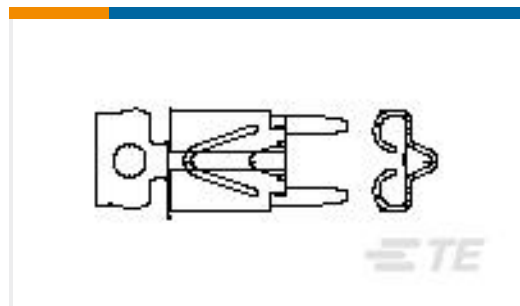
Customers Also Bought



TE Part #6609020-1
1EB1=F7098 S0



TE Part #5650861-5
ASSEMBLY, RECEPTACLE, EUROCARD, T



TE Part #63968-1
FASTON 205/250 LIF PCB MOUNTED TPBR



TE Part #770103-1
15P .093 COMM P&S RECPT



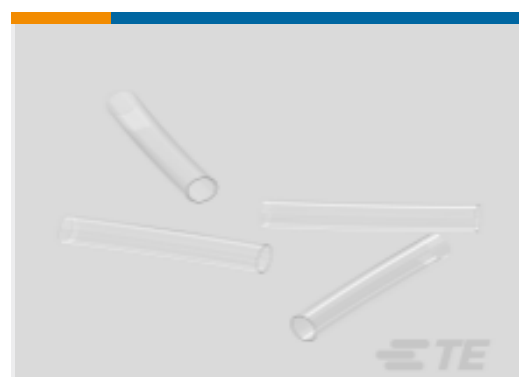
TE Part #2327989-1
M12 X-CODE CAT6A



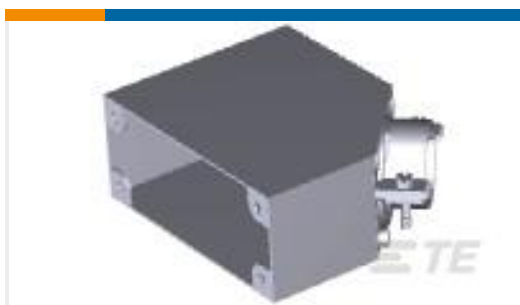
TE Part #1825603-1
BP1532004=Boot, Pushbutton



TE Part #1969694-4
PTL 1X4 PCB HEADER R/A STDTEMP KEY A NAT



TE Part #NB15924001
RT-375-1/16-X-SP



TE Part #202110-1
104 UNASSM KIT, M SERIES

Documents



Product Drawings

PIN HOOD

English

CAD Files

Customer View Model

[ENG_CVM_202119-2_E.3d_igs.zip](#)

English

Customer View Model

[ENG_CVM_202119-2_E.3d_stp.zip](#)

English

Customer View Model

[ENG_CVM_202119-2_E.2d_dxf.zip](#)

English

3D PDF

English

3D PDF

3D

Customer View Model

[ENG_CVM_CVM_202119-2_N.2d_dxf.zip](#)

English

Customer View Model

[ENG_CVM_CVM_202119-2_N.3d_igs.zip](#)

English

Customer View Model

[ENG_CVM_CVM_202119-2_N.3d_stp.zip](#)

English

By downloading the CAD file I accept and agree to the [Terms and Conditions](#) of use.

Datasheets & Catalog Pages

M_SERIES_PIN_AND_SOCKET_CONNECTORS

English

Product Environmental Compliance

[MD_202119-2_050320172337_dmtec](#)

English

[MD_202119-2_050320172337_dmtec](#)

English

Instruction Sheets

Instruction Sheet (U.S.)

English

[AMP CLOSED END PIN HOOD FOR 104 POSITION CENTER FASTENER CONNECTOR](#)

English

Agency Approvals



Agency Approval Document

English