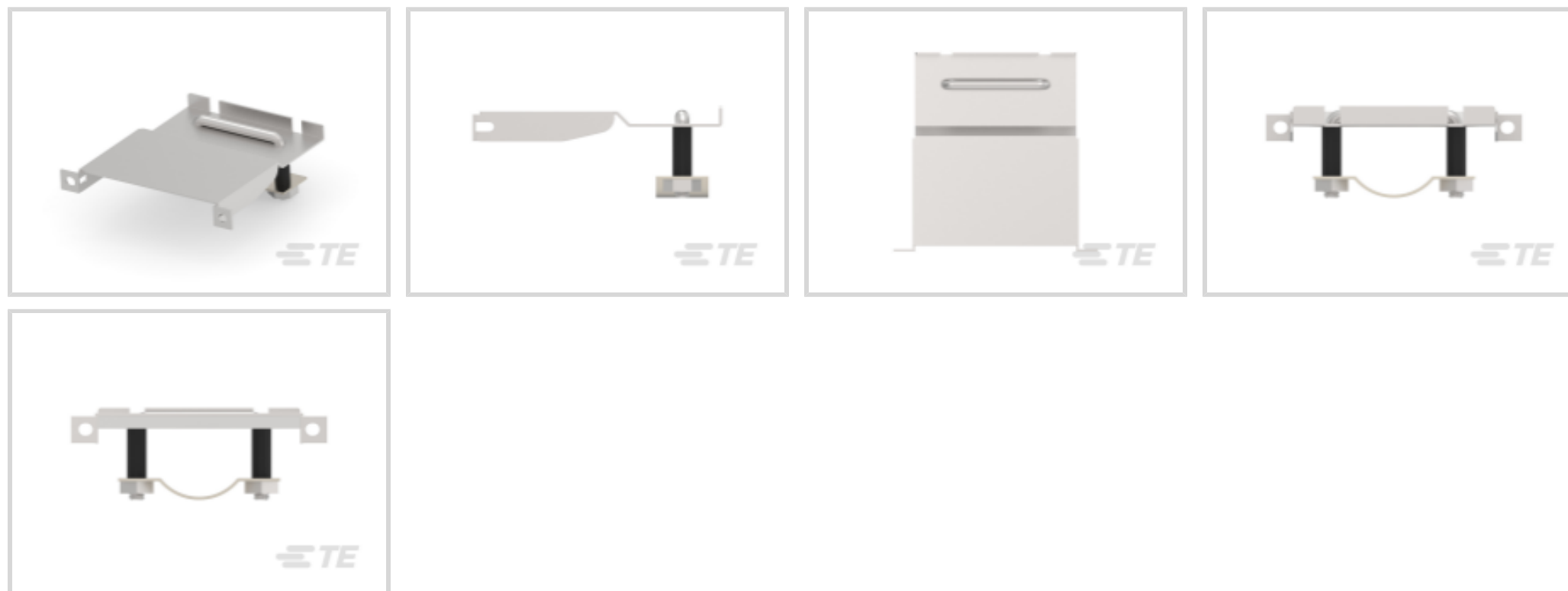




Connectors > Rectangular Connectors > Rectangular Connector Accessories > Rectangular Connector Hardware



Connector Hardware Type: **Strain Relief Clamp**

Number of Positions: **75**

Operating Temperature Range: **-55 – 150 °C [-67 – 302 °F]**

## Features

### Configuration Features

Number of Positions	75
---------------------	----

### Body Features

Strain Relief Type	Shield & Cable Clamp
Primary Product Material	Stainless Steel
Cable Exit Angle	180°, 90°

### Mechanical Attachment

Strain Relief	With
Thread Size	8-32
Connector Hardware Type	Strain Relief Clamp

### Dimensions

Product Length	95.44 mm
Product Height	65.86 mm

### Usage Conditions

Operating Temperature Range	-55 – 150 °C[-67 – 302 °F]
-----------------------------	----------------------------

### Packaging Features

--	--



Packaging Quantity	1
Packaging Method	Bag

### Product Compliance

[For compliance documentation, visit the product page on TE.com>](#)

EU RoHS Directive 2011/65/EU	Compliant
EU ELV Directive 2000/53/EC	Compliant
China RoHS 2 Directive MIIT Order No 32, 2016	No Restricted Materials Above Threshold
EU REACH Regulation (EC) No. 1907/2006	Current ECHA Candidate List: JUNE 2023 (235) Candidate List Declared Against: JAN 2021 (211) Does not contain REACH SVHC
Halogen Content	Low Halogen - Br, Cl, F, I < 900 ppm per homogenous material. Also BFR/CFR/PVC Free
Solder Process Capability	Not applicable for solder process capability

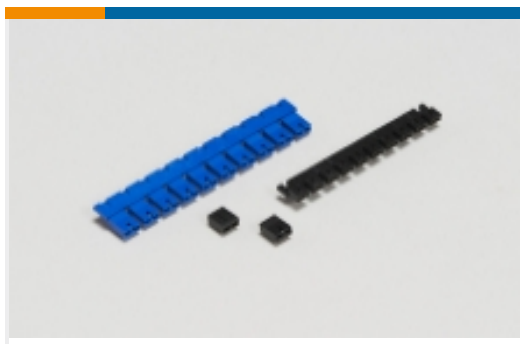
#### Product Compliance Disclaimer

This information is provided based on reasonable inquiry of our suppliers and represents our current actual knowledge based on the information they provided. This information is subject to change. The part numbers that TE has identified as EU RoHS compliant have a maximum concentration of 0.1% by weight in homogenous materials for lead, hexavalent chromium, mercury, PBB, PBDE, DBP, BBP, DEHP, DIBP, and 0.01% for cadmium, or qualify for an exemption to these limits as defined in the Annexes of Directive 2011/65/EU (RoHS2). Finished electrical and electronic equipment products will be CE marked as required by Directive 2011/65/EU. Components may not be CE marked. Additionally, the part numbers that TE has identified as EU ELV compliant have a maximum concentration of 0.1% by weight in homogenous materials for lead, hexavalent chromium, and mercury, and 0.01% for cadmium, or qualify for an exemption to these limits as defined in the Annexes of Directive 2000/53/EC (ELV). Regarding the REACH Regulation, the information TE provides on SVHC in articles for this part number is based on the latest European Chemicals Agency (ECHA) 'Guidance on requirements for substances in articles' posted at this URL: <https://echa.europa.eu/guidance-documents/guidance-on-reach>

### Compatible Parts



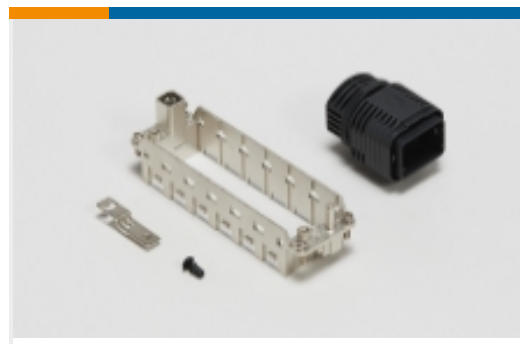
Also in the Series | [AMP M Series](#)



Board-to-Board Jumpers & Shunts(7)



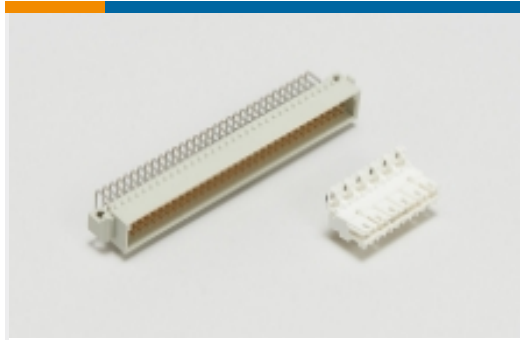
Rack & Panel Connectors(1)



Rectangular Connector Hardware(51)



Rectangular Power Connectors(66)

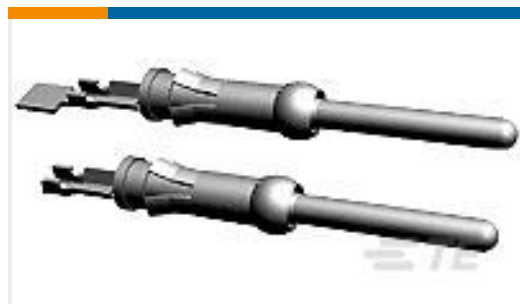


Standard Edge Connectors(2)

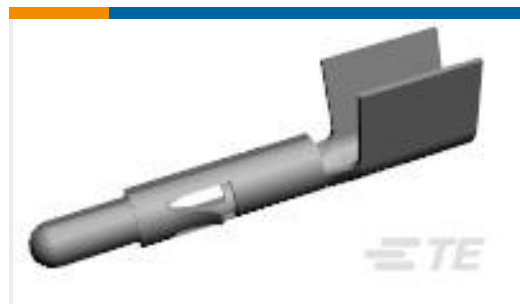
## Customers Also Bought



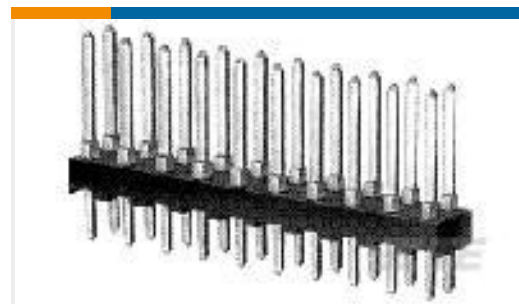
TE Part #324533  
TERMINAL,PIDG R 16-14 10



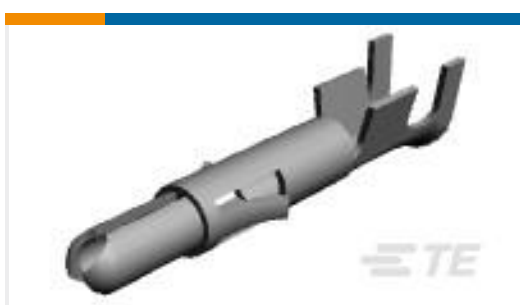
TE Part #66361-3  
III+ PIN,18-14,15AU/FL,LP



TE Part #640309-6  
UMNL PIN 12-10 AU/PHBZ



TE Part #1-87215-0  
02 MODII HDR DRST UNSHRD .100



TE Part #350705-7  
UMNL SPLIT PIN 20-14 AUBR L/P



TE Part #1-201046-2  
SERIES "M" MIN RECT GUIDE PIN



TE Part #1757819-4  
AMPLIMITE,ASY,PLUG,STD,109,ZN,4



TE Part #201047-2  
SERIES "M" ST. STL. GUIDE SOC.



TE Part #200875-7  
SKT ASSY,M SERIES



TE Part #201501-1  
SPIROL PIN

## Documents



### Product Drawings

#### STRAIN RELIEF CLAMP UNASSEM.

English

---

### CAD Files

Customer View Model

[ENG\\_CVM\\_CVM\\_201848-5\\_L.3d\\_stp.zip](#)

English

Customer View Model

[ENG\\_CVM\\_CVM\\_201848-5\\_L.2d\\_dxf.zip](#)

English

Customer View Model

[ENG\\_CVM\\_CVM\\_201848-5\\_L.3d\\_igs.zip](#)

English

**3D PDF**

3D

By downloading the CAD file I accept and agree to the [Terms and Conditions](#) of use.

---

### Instruction Sheets

**Instruction Sheet (U.S.)**

English

**STRAIN RELIEF CLAMP CATALOG NO. 201848-[] FOR AMP SERIES "M" CONN**

English