

201501-1 ✓ ACTIVE

NECTOR | NECTOR M Series

TE Internal #: 201501-1

Rectangular Connector Hardware, Spirol Pin, Turnable, Male / Female Jackscrew, -55 – 150 °C [-67 – 302 °F], NECTOR M Series

[View on TE.com >](#)



Connectors > Rectangular Connectors > Rectangular Connector Accessories > Rectangular Connector Hardware



Connector Hardware Type: **Spirol Pin**

Jackscrew Type: **Turnable**

Jackscrew Style: **Female, Male**

Operating Temperature Range: **-55 – 150 °C [-67 – 302 °F]**

Features

Body Features

Primary Product Material	Stainless Steel
--------------------------	-----------------

Mechanical Attachment

Strain Relief	Without
Connector Hardware Type	Spirol Pin
Jackscrew Type	Turnable
Jackscrew Style	Female, Male

Dimensions

Product Width	1.27 mm[.05 in]
Product Length	5.56 mm[.227 in]
Product Height	1.27 mm[.05 in]

Usage Conditions

Operating Temperature Range	-55 – 150 °C[-67 – 302 °F]
-----------------------------	----------------------------

Packaging Features

Packaging Quantity	1
Packaging Method	Package

Product Compliance

For compliance documentation, visit the product page on [TE.com](#)>

EU RoHS Directive 2011/65/EU	Compliant
EU ELV Directive 2000/53/EC	Compliant
China RoHS 2 Directive MIIT Order No 32, 2016	No Restricted Materials Above Threshold
EU REACH Regulation (EC) No. 1907/2006	Current ECHA Candidate List: JUNE 2023 (235) Candidate List Declared Against: JUNE 2023 (235) Does not contain REACH SVHC
Halogen Content	Low Halogen - Br, Cl, F, I < 900 ppm per homogenous material. Also BFR/CFR/PVC Free
Solder Process Capability	Not applicable for solder process capability

Product Compliance Disclaimer

This information is provided based on reasonable inquiry of our suppliers and represents our current actual knowledge based on the information they provided. This information is subject to change. The part numbers that TE has identified as EU RoHS compliant have a maximum concentration of 0.1% by weight in homogenous materials for lead, hexavalent chromium, mercury, PBB, PBDE, DBP, BBP, DEHP, DIBP, and 0.01% for cadmium, or qualify for an exemption to these limits as defined in the Annexes of Directive 2011/65/EU (RoHS2). Finished electrical and electronic equipment products will be CE marked as required by Directive 2011/65/EU. Components may not be CE marked. Additionally, the part numbers that TE has identified as EU ELV compliant have a maximum concentration of 0.1% by weight in homogenous materials for lead, hexavalent chromium, and mercury, and 0.01% for cadmium, or qualify for an exemption to these limits as defined in the Annexes of Directive 2000/53/EC (ELV). Regarding the REACH Regulation, the information TE provides on SVHC in articles for this part number is based on the latest European Chemicals Agency (ECHA) 'Guidance on requirements for substances in articles' posted at this URL: <https://echa.europa.eu/guidance-documents/guidance-on-reach>

Compatible Parts



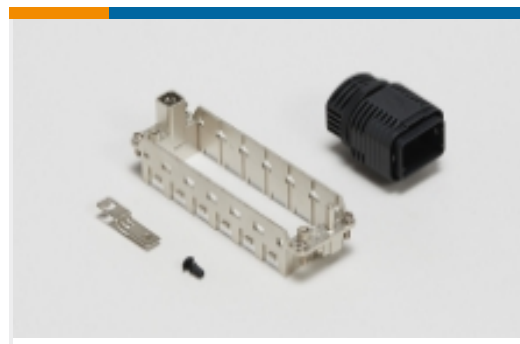
Also in the Series | [NECTOR M Series](#)



Circular Connector Hardware(1)



Plug & Socket Lighting Connector Accessories(1)



Rectangular Connector Hardware(13)



Rectangular Power Connectors(2)



Standard Circular Connectors(124)

Customers Also Bought



TE Part #324533
 TERMINAL,PIDG R 16-14 10



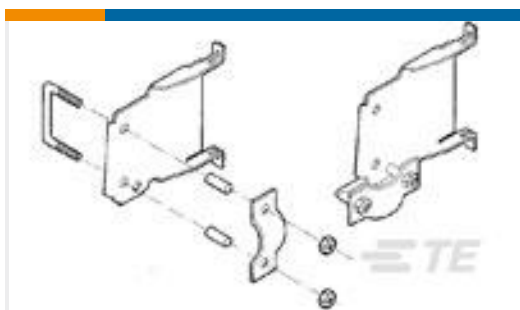
TE Part #33468
 TERMINAL,SOLIS R 4 10



TE Part #201368-4
 75 PL. EXTERNAL PIN HOOD



TE Part #1-201046-2
 SERIES "M" MIN RECT GUIDE PIN



TE Part #201848-5
 STRAIN RELIEF CLAMP UNASSEM.



TE Part #201369-4
 75 POS. PIN HOOD



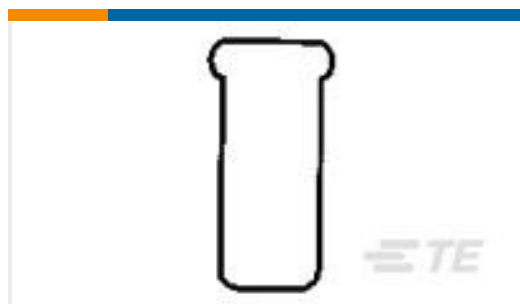
TE Part #201047-2
 SERIES "M" ST. STL. GUIDE SOC.



TE Part #212007-1
 CONTACT PIN ASSY, SZ 8



TE Part #31906
 TERMINAL,PIDG R 16-14 1/4



TE Part #328308
 SPARE WIRE CAP,BLU, 16-14 AWG

Documents



Product Drawings

SPIROL PIN

English

CAD Files

Customer View Model

[ENG_CVM_201501-1_H.3d_igs.zip](#)

English

Customer View Model

[ENG_CVM_201501-1_H.3d_stp.zip](#)

English

Customer View Model

[ENG_CVM_201501-1_H.2d_dxf.zip](#)

English

3D PDF

English

Customer View Model

[ENG_CVM_CVM_201501-1_R.3d_igs.zip](#)

English

Customer View Model

[ENG_CVM_CVM_201501-1_R.3d_stp.zip](#)

English

Customer View Model

[ENG_CVM_CVM_201501-1_R.2d_dxf.zip](#)

English

3D PDF

3D

By downloading the CAD file I accept and agree to the [Terms and Conditions](#) of use.

Datasheets & Catalog Pages

M_SERIES_PIN_AND_SOCKET_CONNECTORS

English

Product Environmental Compliance

Product Compliance

English

Product Compliance

English

Instruction Sheets

Instruction Sheet (non U.S.)

English

TYPICAL ASSEMBLY

English