



Buchanan WireMate

TE Internal #: 2008563-2

Poke-In Connectors, Wire-to-Board, 1 Position, Wire & Cable, Height .154 in [3.9 mm], Surface Mount, 18 – 22 AWG Wire Size, Power & Signal

[View on TE.com >](#)

Connectors > Lighting Connectors > Poke-In Connectors



Connector System: **Wire-to-Board**

Number of Positions: 1

Connector & Contact Terminates To: **Wire & Cable**

Connector Height: **3.9 mm [.154 in]**

Termination Method to Printed Circuit Board: **Surface Mount**

Features

Product Type Features

| | |
|-----------------------------------|---------------|
| Product Line | Poke-In |
| Connector System | Wire-to-Board |
| Connector & Contact Terminates To | Wire & Cable |

Configuration Features

| | |
|---------------------|---|
| Number of Positions | 1 |
|---------------------|---|

Electrical Characteristics

| | |
|-------------------|---------|
| Operating Voltage | 250 VAC |
|-------------------|---------|

Body Features

| | |
|-------------------------|------------|
| Header Mating Direction | Horizontal |
| Primary Product Color | Black |

Contact Features

| | |
|---|------------------|
| Contact Fabrication | Stamped & Formed |
| PCB Contact Termination Area Plating Material Thickness | 3 μm[118.11 μin] |



| | |
|--|---------------|
| Contact Layout | Inline |
| Contact Mating Area Plating Material Thickness | 3 µm[118 µin] |
| Contact Mating Area Plating Material | Tin |
| PCB Contact Termination Area Plating Material Finish | Matte |
| Contact Mating Area Plating Material Finish | Matte |
| Contact Underplating Material | Nickel |
| PCB Contact Termination Area Plating Material | Tin |
| Contact Current Rating (Max) | 4 A |

Termination Features

| | |
|---|---------------|
| Termination Method to Printed Circuit Board | Surface Mount |
|---|---------------|

Mechanical Attachment

| | |
|-------------------------|-------------|
| PCB Mount Retention | With |
| Connector Mounting Type | Board Mount |

Dimensions

| | |
|--------------------------------------|-----------------|
| Compatible Insulation Diameter Range | 2.1 mm[.083 in] |
| Connector Height | 3.9 mm[.154 in] |
| Wire Size | 18 – 22 AWG |

Usage Conditions

| | |
|-----------------------------|----------------------------|
| Operating Temperature Range | -40 – 105 °C[-40 – 221 °F] |
|-----------------------------|----------------------------|

Operation/Application

| | |
|---------------------|----------------|
| Circuit Application | Power & Signal |
|---------------------|----------------|

Industry Standards

| | |
|------------------------|---|
| Agency/Standard | CSA, UL |
| Approved Standards | CSA/C22.2 No. 182.3-M1987, UL 1977, UL E28476 |
| UL Flammability Rating | UL 94V-0 |

Packaging Features

| | |
|------------------|-----------------|
| Packaging Method | SMT Pocket Tape |
|------------------|-----------------|

Product Compliance

For compliance documentation, visit the product page on TE.com>

| | |
|------------------------------|-----------|
| EU RoHS Directive 2011/65/EU | Compliant |
|------------------------------|-----------|



| | |
|---|---|
| EU ELV Directive 2000/53/EC | Compliant |
| China RoHS 2 Directive MIIT Order No 32, 2016 | No Restricted Materials Above Threshold |
| EU REACH Regulation (EC) No. 1907/2006 | Current ECHA Candidate List: JUNE 2023 (235) Candidate List Declared Against: JUNE 2023 (235) Does not contain REACH SVHC |
| Halogen Content | Low Halogen - Br, Cl, F, I < 900 ppm per homogenous material. Also BFR/CFR/PVC Free |
| Solder Process Capability | Reflow solder capable to 260°C |

Product Compliance Disclaimer

This information is provided based on reasonable inquiry of our suppliers and represents our current actual knowledge based on the information they provided. This information is subject to change. The part numbers that TE has identified as EU RoHS compliant have a maximum concentration of 0.1% by weight in homogenous materials for lead, hexavalent chromium, mercury, PBB, PBDE, DBP, BBP, DEHP, DIBP, and 0.01% for cadmium, or qualify for an exemption to these limits as defined in the Annexes of Directive 2011/65/EU (RoHS2). Finished electrical and electronic equipment products will be CE marked as required by Directive 2011/65/EU. Components may not be CE marked. Additionally, the part numbers that TE has identified as EU ELV compliant have a maximum concentration of 0.1% by weight in homogenous materials for lead, hexavalent chromium, and mercury, and 0.01% for cadmium, or qualify for an exemption to these limits as defined in the Annexes of Directive 2000/53/EC (ELV). Regarding the REACH Regulation, the information TE provides on SVHC in articles for this part number is based on the latest European Chemicals Agency (ECHA) 'Guidance on requirements for substances in articles' posted at this URL: <https://echa.europa.eu/guidance-documents/guidance-on-reach>

Compatible Parts



TE Part # 2834006-2
RELEASE POKE-IN
CONNECTOR_2POLES

Customers Also Bought



TE Part #1658641-2
HDP-20,PLUG,SIZE 5, 50 POSN



TE Part #206438-1
CPC RECPT ASSEMBLY SIZE 23-57



TE Part #206044-1
CPC PLUG ASSEMBLY SIZE 17-14



TE Part #206070-8
CABLE CLAMP KIT #17



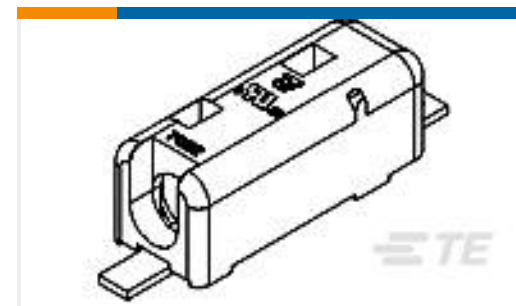
TE Part #6641710001
TMS-SCE-1/4-2.0-9



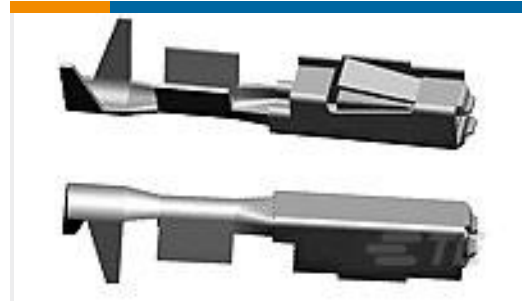
TE Part #34138
SPLICE,SOLIS PARA 12-10



TE Part #1-1355350-1
MQS ABDECKKAPPE 18P



TE Part #2008563-1
Connector,1 Pos SMT Poke-In



TE Part #144969-1
MQS0,63 Sn rec LL unseal. 0,2-0,6



TE Part #5103308-1
A/L LOW PRO HDR 10P VERT BLACK

Documents

Product Drawings

[Connector,1 Pos SMT Poke-In, B](#)

English

CAD Files

[Customer View Model](#)

[ENG_CVM_CVM_2008563-2_A1.2d_dxf.zip](#)

English

[3D PDF](#)

3D

[Customer View Model](#)

[ENG_CVM_CVM_2008563-2_A1.3d_igs.zip](#)

English

[Customer View Model](#)

[ENG_CVM_CVM_2008563-2_A1.3d_stp.zip](#)

English

By downloading the CAD file I accept and agree to the [Terms and Conditions](#) of use.

Datasheets & Catalog Pages

[SMT_AND_THRU-HOLE_POKE-IN_WIRE_LIGHTING_CONNECTORS](#)

English

Product Specifications

[Product Specification](#)

English