



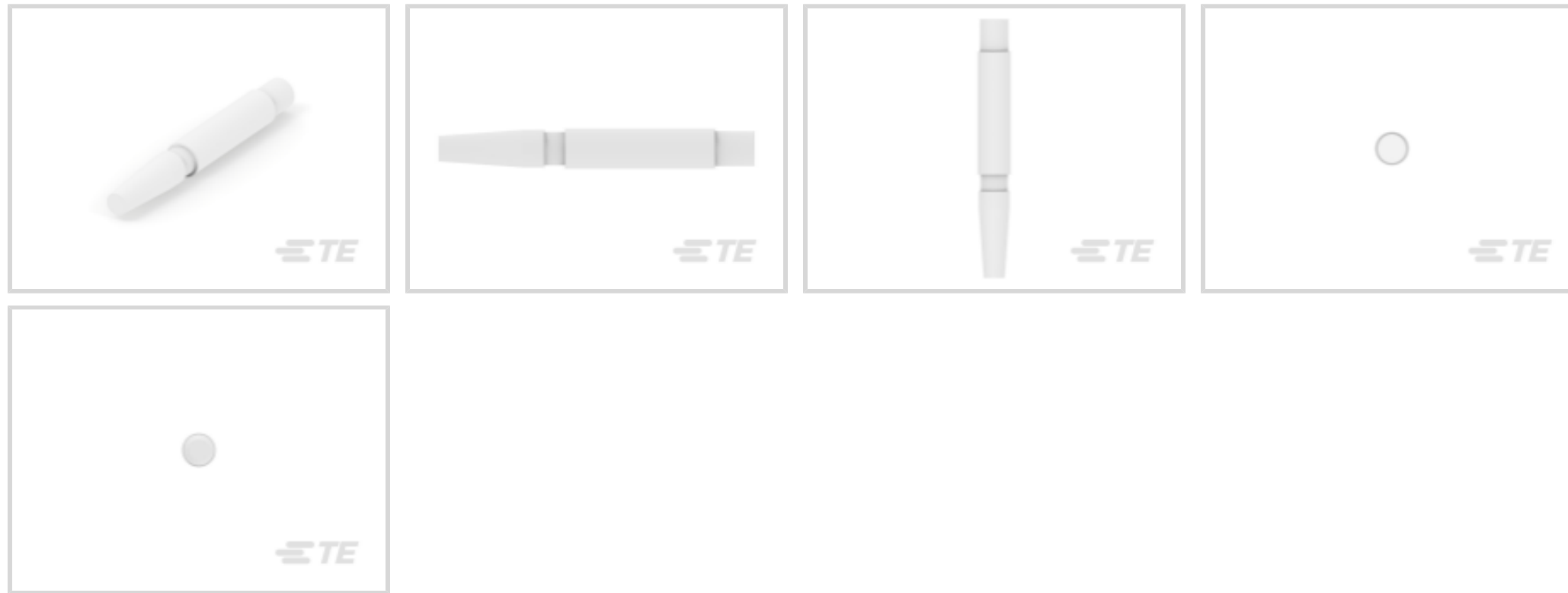
AMP

TE Internal #: 200821-1

Rectangular Connector Keying Plugs, Keying Plug, -55 – 105 °C [-67 – 221 °F]

[View on TE.com >](#)

Connectors > Rectangular Connectors > Rectangular Connector Accessories > Rectangular Connector Keying Plugs



Connector Keying Accessory Type: **Keying Plug**

Operating Temperature Range: -55 – 105 °C [-67 – 221 °F]

Features

Product Type Features

Connector Keying Accessory Type	Keying Plug
---------------------------------	-------------

Body Features

Primary Product Material	PA 66
Primary Product Color	Natural

Usage Conditions

Operating Temperature Range	-55 – 105 °C[-67 – 221 °F]
-----------------------------	----------------------------

Industry Standards

UL Flammability Rating	UL 94V-2
------------------------	----------

Packaging Features

Packaging Quantity	1
Packaging Method	Package

Other

Connector Accessory Comment	Snaps into socket housing.
-----------------------------	----------------------------

Product Compliance

[For compliance documentation, visit the product page on TE.com>](#)



EU RoHS Directive 2011/65/EU	Compliant
EU ELV Directive 2000/53/EC	Compliant
China RoHS 2 Directive MIIT Order No 32, 2016	No Restricted Materials Above Threshold
EU REACH Regulation (EC) No. 1907/2006	Current ECHA Candidate List: JUNE 2023 (235) Candidate List Declared Against: JUNE 2023 (235) Does not contain REACH SVHC
Halogen Content	Low Halogen - Br, Cl, F, I < 900 ppm per homogenous material. Also BFR/CFR/PVC Free
Solder Process Capability	Not applicable for solder process capability

Product Compliance Disclaimer

This information is provided based on reasonable inquiry of our suppliers and represents our current actual knowledge based on the information they provided. This information is subject to change. The part numbers that TE has identified as EU RoHS compliant have a maximum concentration of 0.1% by weight in homogenous materials for lead, hexavalent chromium, mercury, PBB, PBDE, DBP, BBP, DEHP, DIBP, and 0.01% for cadmium, or qualify for an exemption to these limits as defined in the Annexes of Directive 2011/65/EU (RoHS2). Finished electrical and electronic equipment products will be CE marked as required by Directive 2011/65/EU. Components may not be CE marked. Additionally, the part numbers that TE has identified as EU ELV compliant have a maximum concentration of 0.1% by weight in homogenous materials for lead, hexavalent chromium, and mercury, and 0.01% for cadmium, or qualify for an exemption to these limits as defined in the Annexes of Directive 2000/53/EC (ELV). Regarding the REACH Regulation, the information TE provides on SVHC in articles for this part number is based on the latest European Chemicals Agency (ECHA) 'Guidance on requirements for substances in articles' posted at this URL: <https://echa.europa.eu/guidance-documents/guidance-on-reach>

Compatible Parts

TE Part # CAT-AM71-C83998J
Cable/Panel Mount Connector, CPC Series 1

TE Part # CAT-AM71-C83998CC
CPC Connector Housing, Series 4

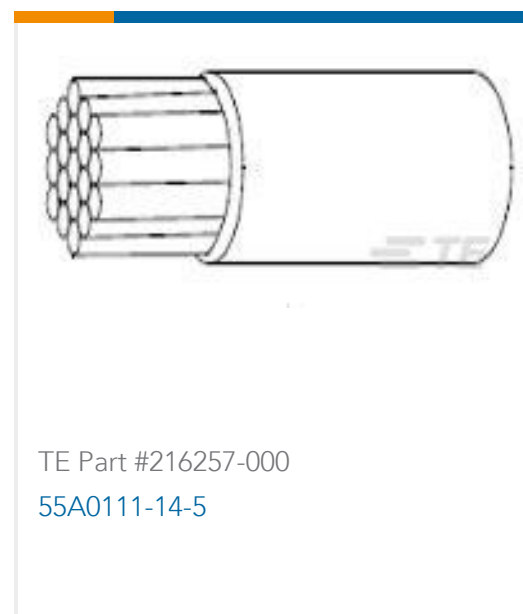
Customers Also Bought

TE Part #206151-1
23-37 RECEPT STD SEX

TE Part #66104-9
Strip Pin and Socket Contacts, Type III

TE Part #66260-2
MALE CONTACT ASSY. (L.P.)

TE Part #207008-5
CABLE CLAMP, SIZE 13



Documents

Product Drawings

CMNL KEYING PLUG

English

CAD Files

3D PDF

3D

Customer View Model

[ENG_CVM_CVM_200821-1_M.2d_dxf.zip](#)

English

Customer View Model

[ENG_CVM_CVM_200821-1_M.3d_igs.zip](#)

English

Customer View Model

[ENG_CVM_CVM_200821-1_M.3d_stp.zip](#)

English

By downloading the CAD file I accept and agree to the [Terms and Conditions](#) of use.

Datasheets & Catalog Pages

M_SERIES_PIN_AND_SOCKET_CONNECTORS

English

SOFT_SHELL_PIN_SOCKET_CONNECTORS_STANDARD_DENSITY

English

Product Environmental Compliance

MD_200821-1_06112018240_dmtec

English

MD_200821-1_06112018240_dmtec

English

Instruction Sheets

Instruction Sheet (U.S.)

English