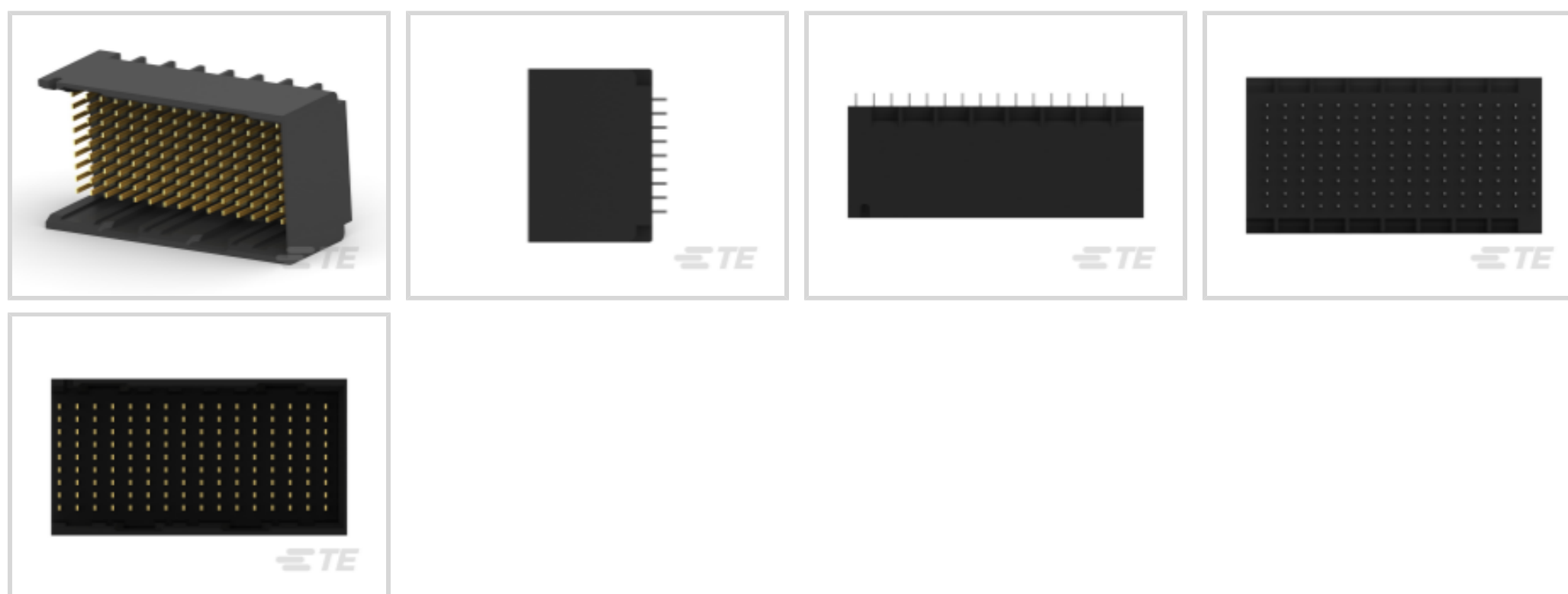




TE Internal #: 2007807-1  
 High Speed Backplane Connectors, 144 Position, Mating Alignment, Polarization Mating Alignment Type, 9 Row, 16 Column, PCB Mount Header, Vertical

[View on TE.com >](#)

Connectors > PCB Connectors > Backplane Connectors > High Speed Backplane Connectors



Connector System: **Board-to-Board**  
 Number of Positions: **144**  
 Row-to-Row Spacing: **1.35 mm [ .053 in ]**  
 Mating Alignment: **With**  
 Mating Alignment Type: **Polarization**

### Features

#### Product Type Features

Connector System	Board-to-Board
PCB Connector Assembly Type	PCB Mount Header
Shroud Style	Partially Shrouded
Connector & Contact Terminates To	Printed Circuit Board

#### Configuration Features

Number of Positions	144
Number of Rows	9
Number of Columns	16
PCB Mount Orientation	Vertical
Guide Location	Unguided

#### Contact Features

Contact Type	Pin
Contact Current Rating (Max)	.75 A

#### Mechanical Attachment



Mating Alignment	With
Mating Alignment Type	Polarization
Connector Mounting Type	Board Mount

### Housing Features

Number of Shrouded Sides	3
Centerline (Pitch)	1.9 mm[.075 in]

### Dimensions

Row-to-Row Spacing	1.35 mm[.053 in]
--------------------	------------------

### Usage Conditions

Operating Temperature Range	-55 – 85 °C[-67 – 185 °F]
-----------------------------	---------------------------

### Operation/Application

Circuit Application	Signal
---------------------	--------

## Product Compliance

[For compliance documentation, visit the product page on TE.com>](#)

EU RoHS Directive 2011/65/EU	Compliant
EU ELV Directive 2000/53/EC	Compliant
China RoHS 2 Directive MIIT Order No 32, 2016	No Restricted Materials Above Threshold
EU REACH Regulation (EC) No. 1907/2006	Current ECHA Candidate List: JUNE 2023 (235) Candidate List Declared Against: JUNE 2023 (235) Does not contain REACH SVHC
Halogen Content	Low Halogen - Br, Cl, F, I < 900 ppm per homogenous material. Also BFR/CFR/PVC Free
Solder Process Capability	Not applicable for solder process capability

#### Product Compliance Disclaimer

This information is provided based on reasonable inquiry of our suppliers and represents our current actual knowledge based on the information they provided. This information is subject to change. The part numbers that TE has identified as EU RoHS compliant have a maximum concentration of 0.1% by weight in homogenous materials for lead, hexavalent chromium, mercury, PBB, PBDE, DBP, BBP, DEHP, DIBP, and 0.01% for cadmium, or qualify for an exemption to these limits as defined in the Annexes of Directive 2011/65/EU (RoHS2). Finished electrical and electronic equipment products will be CE marked as required by Directive 2011/65/EU. Components may not be CE marked. Additionally, the part numbers that TE has identified as EU ELV compliant have a maximum concentration of 0.1% by weight in homogenous materials for lead, hexavalent chromium, and mercury, and 0.01% for cadmium, or qualify for an exemption to these limits as defined in the Annexes of Directive 2000/53/EC (ELV). Regarding the REACH Regulation, the information TE provides on SVHC in articles for this part number is based on the latest European Chemicals Agency (ECHA) 'Guidance on requirements for substances in articles' posted at this URL: <https://echa.europa.eu/guidance-documents/guidance-on-reach>

## Compatible Parts

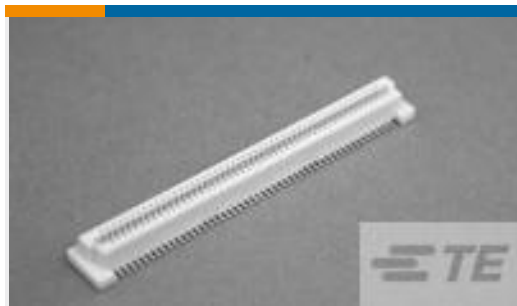


TE Part # 2007711-1  
IMP100S,R,RA3P16C,UG,39



TE Part # 2018378-1  
TOOL, SEAT 3 PR 16 COL, BP CONN

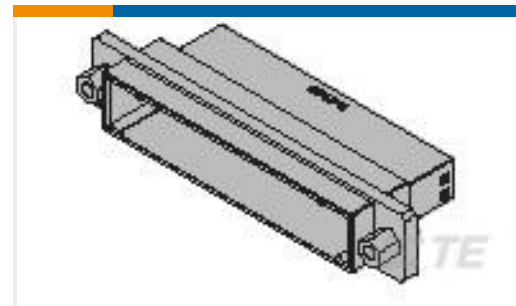
## Customers Also Bought



TE Part #1735482-4  
0.8FH,R17H.5,100,08/Sn,TR,SC



TE Part #50865  
SOCKET,MIN-SPR AU SER-4



TE Part #1376073-2  
DYNAMIC D-2000 TAB ASSY 50P



TE Part #1-1879208-4  
CPF 0402 36R 0.1% 25PPM 1K RL



TE Part #4-2176230-7  
3522 5K6 5% 3W



TE Part #9-1734774-3  
PCI EXP 2.3L 64 POS BLK 30u"

## Documents

### Product Drawings

[IMP100S,H,V3P16C,UG,REW39,4.5](#)

English

### CAD Files

[3D PDF](#)

3D

Customer View Model

[ENG\\_CVM\\_CVM\\_2007807-1\\_B.2d\\_dxf.zip](#)

English

Customer View Model

[ENG\\_CVM\\_CVM\\_2007807-1\\_B.3d\\_igs.zip](#)

English

Customer View Model



[ENG\\_CVM\\_CVM\\_2007807-1\\_B.3d\\_stp.zip](#)

English

By downloading the CAD file I accept and agree to the [Terms and Conditions](#) of use.

### Datasheets & Catalog Pages

[7-1773458-1\\_IMPACT\\_BACKPLANE\\_CONNECTOR\\_SYSTEM\\_CATALOG](#)

English

### Agency Approvals

[Agency Approval Document](#)

English