



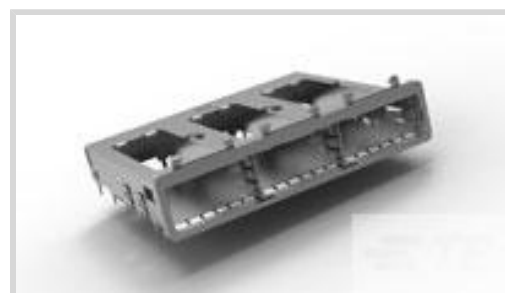
QSFP/QSFP+

TE Internal #: 2007473-1

QSFP, QSFP+ & zQSFP+, Cage, 1 x 3, Customer Applied Gasket, Standard, 3 Port, 1 Rear EONs per Port Column, Cable-to-Board, Sealable, QSFP/QSFP+

[View on TE.com >](#)

Connectors > Pluggable IO Connectors & Cages > QSFP, QSFP+ & zQSFP+



Pluggable I/O Product Type: **Cage**

Port Matrix Configuration: **1 x 3**

EMI Containment Feature Type: **Customer Applied Gasket**

Included Lightpipe: **No**

Enhancements: **Standard**

Features

Product Type Features

Form Factor	QSFP+
Cage Type	Ganged
Pluggable I/O Product Type	Cage
Connector System	Cable-to-Board
Sealable	Yes
Connector & Contact Terminates To	Printed Circuit Board

Configuration Features

Port Matrix Configuration	1 x 3
Number of Ports	3
Number of Rear EONs per Port Column	1

Contact Features

PCB Contact Termination Area Plating Material	Tin
---	-----

Termination Features

Termination Post & Tail Length	2.2 mm[.086 in]
Termination Method to Printed Circuit Board	Through Hole - Press-Fit

Mechanical Attachment

Connector Mounting Type	Board Mount
-------------------------	-------------

Housing Features



Cage Material	Nickel Silver
---------------	---------------

Dimensions

PCB Thickness (Recommended)	1.45 mm[.057 in]
-----------------------------	------------------

Operation/Application

Heat Sink Compatible	Yes
For Use With Pluggable I/O Products	QSFP Cable Assembly, QSFP MSA Compatible Transceiver
Pluggable I/O Applications	SFP+ Stacked Belly-to-Belly
Circuit Application	Signal

Industry Standards

UL Flammability Rating	UL 94V-0
------------------------	----------

Packaging Features

Packaging Method	Box & Tray
------------------	------------

Other

EMI Containment Feature Type	Customer Applied Gasket
Included Lightpipe	No
Enhancements	Standard

Product Compliance

[For compliance documentation, visit the product page on TE.com>](#)

EU RoHS Directive 2011/65/EU	Compliant
EU ELV Directive 2000/53/EC	Compliant
China RoHS 2 Directive MIIT Order No 32, 2016	No Restricted Materials Above Threshold
EU REACH Regulation (EC) No. 1907/2006	Current ECHA Candidate List: JUNE 2023 (235) Candidate List Declared Against: JUNE 2023 (235) Does not contain REACH SVHC
Halogen Content	Low Halogen - Br, Cl, F, I < 900 ppm per homogenous material. Also BFR/CFR/PVC Free
Solder Process Capability	Not applicable for solder process capability

Product Compliance Disclaimer

This information is provided based on reasonable inquiry of our suppliers and represents our current actual knowledge based on the information they provided. This information is subject to change. The part numbers that TE has identified as



EU RoHS compliant have a maximum concentration of 0.1% by weight in homogenous materials for lead, hexavalent chromium, mercury, PBB, PBDE, DBP, BBP, DEHP, DIBP, and 0.01% for cadmium, or qualify for an exemption to these limits as defined in the Annexes of Directive 2011/65/EU (RoHS2). Finished electrical and electronic equipment products will be CE marked as required by Directive 2011/65/EU. Components may not be CE marked. Additionally, the part numbers that TE has identified as EU ELV compliant have a maximum concentration of 0.1% by weight in homogenous materials for lead, hexavalent chromium, and mercury, and 0.01% for cadmium, or qualify for an exemption to these limits as defined in the Annexes of Directive 2000/53/EC (ELV). Regarding the REACH Regulation, the information TE provides on SVHC in articles for this part number is based on the latest European Chemicals Agency (ECHA) 'Guidance on requirements for substances in articles' posted at this URL: <https://echa.europa.eu/guidance-documents/guidance-on-reach>

Compatible Parts



TE Part # CAT-C11-H501114
QSFP to QSFP I/O Cable Assembly: 30 AWG



TE Part # CAT-C11-H50111
QSFP-Four SFP+ I/O Cable Assembly 30 AWG



TE Part # 1761987-9
ReceptacleConnAssm38PosTape/Re



TE Part # 1888810-2
EMI/Dust Cover,XFP And QSFP



TE Part # 2110819-1
QSFP+ Enh EVERCLEAR PT Conn



TE Part # CAT-C11-H5011
QSFP-Four SFP+ I/O Cable Assembly 28 AWG



TE Part # CAT-C11-H5011142
QSFP to QSFP I/O Cable Assembly: 33 AWG




TE Part # 2053638-4
C/A, QSFP, 4M, P1-P2, UNEQUALIZED



TE Part # 2007477-3
1xN QSFP Bhnd Bzl Dbl L Pipe



TE Part # 2202165-4
QSFP TO QSFP, 26AWG, FDR, 4.0 METER



TE Part # 2202165-5
QSFP TO QSFP, 26AWG, FDR, 5.0 METER



TE Part # 2829040-2
QSFP IB EDR, 33AWG, 1.0M



TE Part # 2829040-4
QSFP IB EDR, 30AWG, 1.0M



TE Part # 2829040-6
QSFP IB EDR, 30AWG, 2.0M



TE Part # 2829040-7
QSFP IB EDR, 26AWG, 2.0M



TE Part # 2829040-8
QSFP IB EDR, 26AWG, 3.0M



TE Part # 2821033-8
QSFP TO [4]SFP+, 28G, 1M, 33AWG

Also in the Series | QSFP/QSFP+



Heat Sinks(1)



Pluggable I/O Cable Assemblies(23)



QSFP, QSFP+ & zQSFP+(158)

Customers Also Bought



TE Part #206070-8
CABLE CLAMP KIT #17



TE Part #DT04-2P
REC, 2P, GRY, N



TE Part #DT06-2S
PLG, 2P, GRY, N



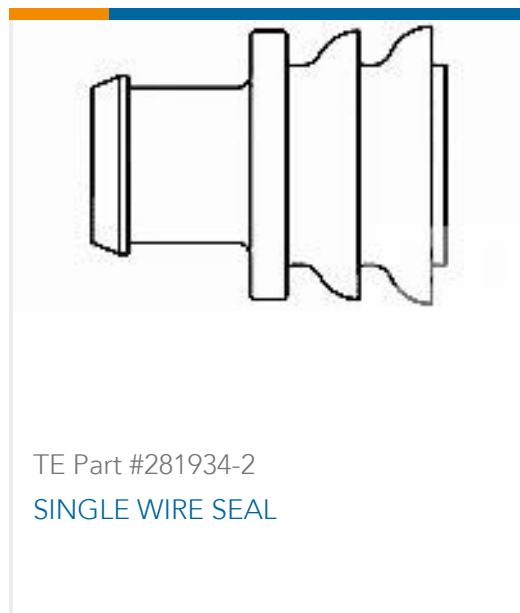
TE Part #W2P
Wedgelocks: DEUTSCH DT



TE Part #0462-201-16141
DEUTSCH Solid Contacts



TE Part #282080-1
AMP SUPERSEAL 1.5MM,
CONNECTOR HOUSING



TE Part #281934-2
SINGLE WIRE SEAL

Documents

Product Drawings

[1x3 QSFP Cage Assy Behind Bzl](#)

English

CAD Files

[3D PDF](#)

[3D](#)



Customer View Model

[ENG_CVM_CVM_2007473-1_D.2d_dxf.zip](#)

English

Customer View Model

[ENG_CVM_CVM_2007473-1_D.3d_igs.zip](#)

English

Customer View Model

[ENG_CVM_CVM_2007473-1_D.3d_stp.zip](#)

English

By downloading the CAD file I accept and agree to the [Terms and Conditions](#) of use.

Datasheets & Catalog Pages

[1773408-1 Pluggable Input/Output Solutions catalog - QSFP section](#)

English

[4-1773455-5 - Quick Reference Guide QSFP/QSFP+ Solutions](#)

English

Product Specifications

[Application Specification](#)

English