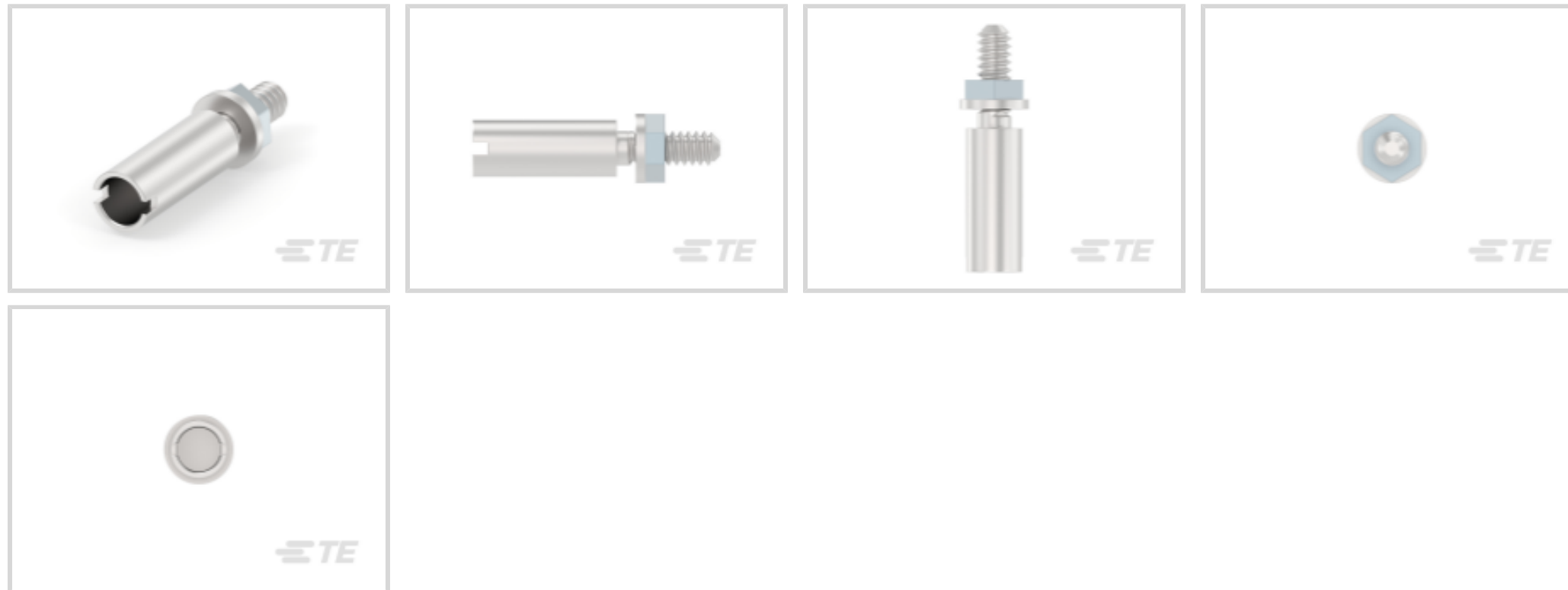




Connectors > Rectangular Connectors > Rectangular Connector Accessories > Rectangular Connector Hardware



Connector Hardware Type: **Guide Socket Kit**

Guide Pin/Socket Type: **Center**

Number of Positions: **6, 12, 14, 15, 16, 20, 26, 28, 34, 41, 42, 50, 75, 104**

Operating Temperature Range: **-55 – 150 °C [-67 – 302 °F]**

## Features

### Configuration Features

|                     |  |
|---------------------|--|
| Number of Positions | 6, 12, 14, 15, 16, 20, 26, 28, 34, 41, 42, 50, 75, 104 |
|---------------------|--|

### Body Features

|                          |                 |
|--------------------------|-----------------|
| Primary Product Material | Stainless Steel |
| Guide Pin/Socket Type    | Center          |

### Mechanical Attachment

|                         |                      |
|-------------------------|----------------------|
| Strain Relief           | Without              |
| Mounting Hardware       | Nuts and Lockwashers |
| Thread Size             | 4-40                 |
| Connector Hardware Type | Guide Socket Kit     |

### Dimensions

|                |                   |
|----------------|-------------------|
| Product Width  | 5.72 mm [.225 in] |
| Product Length | 19.81 mm [.78 in] |
| Product Height | 5.72 mm [.225 in] |

### Usage Conditions

|                             |                            |
|-----------------------------|----------------------------|
| Operating Temperature Range | -55 – 150 °C[-67 – 302 °F] |
|-----------------------------|----------------------------|

### Packaging Features

|                    |     |
|--------------------|-----|
| Packaging Quantity | 100 |
| Packaging Method   | Bag |

### Product Compliance

[For compliance documentation, visit the product page on TE.com>](#)

|   |   |
|---|---|
| EU RoHS Directive 2011/65/EU                  | Compliant   |
| EU ELV Directive 2000/53/EC                   | Compliant   |
| China RoHS 2 Directive MIIT Order No 32, 2016 | No Restricted Materials Above Threshold   |
| EU REACH Regulation (EC) No. 1907/2006        | Current ECHA Candidate List: JUNE 2023 (235)<br>Candidate List Declared Against: JUNE 2023 (235)<br>Does not contain REACH SVHC |
| Halogen Content                               | BFR/CFR/PVC Free, but Br/Cl >900 ppm in other sources.  |
| Solder Process Capability                     | Not applicable for solder process capability  |

#### Product Compliance Disclaimer

This information is provided based on reasonable inquiry of our suppliers and represents our current actual knowledge based on the information they provided. This information is subject to change. The part numbers that TE has identified as EU RoHS compliant have a maximum concentration of 0.1% by weight in homogenous materials for lead, hexavalent chromium, mercury, PBB, PBDE, DBP, BBP, DEHP, DIBP, and 0.01% for cadmium, or qualify for an exemption to these limits as defined in the Annexes of Directive 2011/65/EU (RoHS2). Finished electrical and electronic equipment products will be CE marked as required by Directive 2011/65/EU. Components may not be CE marked. Additionally, the part numbers that TE has identified as EU ELV compliant have a maximum concentration of 0.1% by weight in homogenous materials for lead, hexavalent chromium, and mercury, and 0.01% for cadmium, or qualify for an exemption to these limits as defined in the Annexes of Directive 2000/53/EC (ELV). Regarding the REACH Regulation, the information TE provides on SVHC in articles for this part number is based on the latest European Chemicals Agency (ECHA) 'Guidance on requirements for substances in articles' posted at this URL: <https://echa.europa.eu/guidance-documents/guidance-on-reach>

### Compatible Parts



### Customers Also Bought



TE Part #208478-1  
CMC PLUG ASSEMBLY, SZ 28



TE Part #61919-1  
187 FASTON REC 20-16 AWG BR



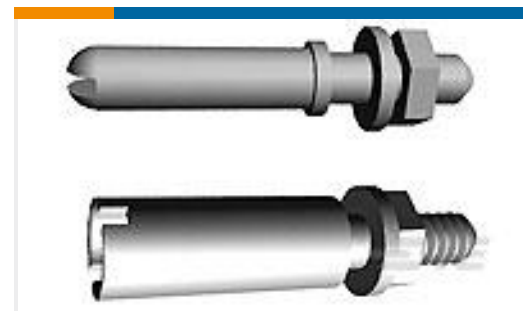
TE Part #1-456403-6  
CRIMPER WIRE .062 F



TE Part #200512-2  
FEMALE BLOCK 26 PL.



TE Part #201414-4  
SERIES "M" JACK SCREW--FEMALE A



TE Part #171082-1  
GUIDE PIN



TE Part #1-1393128-7  
PRD-5DY0-24=PRD



TE Part #3-1105050-2  
HN.D-C-STI.AU.0,75

## Documents

### Product Drawings

#### SERIES "M" GUIDE SOCKET

English

### CAD Files

#### Customer View Model

[ENG\\_CVM\\_CVM\\_200390-9\\_Y.2d\\_dxf.zip](#)

English

### 3D PDF

3D

#### Customer View Model

[ENG\\_CVM\\_CVM\\_200390-9\\_Y.3d\\_igs.zip](#)

English

#### Customer View Model

[ENG\\_CVM\\_CVM\\_200390-9\\_Y.3d\\_stp.zip](#)

English

By downloading the CAD file I accept and agree to the [Terms and Conditions](#) of use.

### Datasheets & Catalog Pages

#### M\_SERIES\_PIN\_AND\_SOCKET\_CONNECTORS

English

### Product Environmental Compliance

[MD\\_200390-9\\_04212016254\\_dmtec](#)

English

[MD\\_200390-9\\_04212016254\\_dmtec](#)

English

200390-9

Rectangular Connector Hardware, Guide Socket Kit, 34 / 41 / 16 Position, -55 – 150 °C  
[-67 – 302 °F]



[Instruction Sheets](#)

[Instruction Sheet \(U.S.\)](#)

English