



AMP | AMP Type II

TE Internal #: 200336-1

Power Contacts, Contact, Gold, 18 – 16 AWG Wire Size, .8 – 1.4 mm<sup>2</sup> Wire Size, Wire & Cable, Crimp, Signal, Pin, AMP Type II

[View on TE.com >](#)

Connectors > Power Connectors > Power Contacts > Pin and Socket Contacts, Type II



Power Contact Type: **Contact**

Contact Mating Area Plating Material: **Gold**

Wire Size: **.8 – 1.4 mm<sup>2</sup>**

Sealable: **No**

[All Pin and Socket Contacts, Type II \(16\)](#)

## Features

### Product Type Features

Power Contact Type	Contact
Sealable	No
Connector & Contact Terminates To	Wire & Cable

### Contact Features

Contact Size	Size 16
Contact Mating Area Plating Material	Gold
Contact Current Rating (Max)	13 A
Contact Type	Pin
Contact Retention Within Housing	With
Mating Pin Diameter	1.57 mm[.062 in]
Contact Base Material	Brass
Contact Mating Area Plating Material Thickness	.76 μm[30 μin]
Contact Mating Area Plating Material Finish	Bright
Wire Contact Termination Area Plating Thickness	.76 μm[30 μin]



Wire Contact Termination Area Plating Material	Gold
Contact Orientation	Straight
Contact Underplating Material	Nickel
Contact Underplating Material Thickness	1.27 μm[50 μin]

### Termination Features

Termination Method to Wire & Cable	Crimp
------------------------------------	-------

### Mechanical Attachment

Contact Retention Type Within Housing	Snap-In
Wire Insulation Support	Without

### Dimensions

Wire Size	.8 – 1.4 mm <sup>2</sup>
-----------	--------------------------

### Usage Conditions

Operating Temperature Range	-55 – 105 °C[-55 – 302 °F]
-----------------------------	----------------------------

### Operation/Application

Circuit Application	Signal
---------------------	--------

### Identification Marking

Contact Color Code	Blue/Blue
--------------------	-----------

### Packaging Features

Packaging Quantity	900
Packaging Method	Bag

### Other

Power Connectors Comment	Extraction Tool No. 305183, Insertion Tool No. 200893-2 (for insulation diameters 1.78 [.07] or less), Use turret TH502 (p/n 1-601967-6) with hand tool 601967-1.
--------------------------	---

### Product Compliance

[For compliance documentation, visit the product page on TE.com>](#)

EU RoHS Directive 2011/65/EU	Compliant with Exemptions
EU ELV Directive 2000/53/EC	Compliant with Exemptions
China RoHS 2 Directive MIIT Order No 32, 2016	Restricted Materials Above Threshold
EU REACH Regulation (EC) No. 1907/2006	Current ECHA Candidate List: JUNE 2023 (235)

Candidate List Declared Against: JUNE 2023 (235)

SVHC > Threshold:

Pb (3.7% in Component Part)

**Article Safe Usage Statements:**

Do not eat, drink or smoke when using this product. Wash thoroughly after handling. Recycle if possible and dispose of the article by following all applicable governmental regulations relevant to your geographic location.

Halogen Content

Low Halogen - Br, Cl, F, I < 900 ppm per homogenous material. Also BFR/CFR/PVC Free


Solder Process Capability

Not applicable for solder process capability

**Product Compliance Disclaimer**

This information is provided based on reasonable inquiry of our suppliers and represents our current actual knowledge based on the information they provided. This information is subject to change. The part numbers that TE has identified as EU RoHS compliant have a maximum concentration of 0.1% by weight in homogenous materials for lead, hexavalent chromium, mercury, PBB, PBDE, DBP, BBP, DEHP, DIBP, and 0.01% for cadmium, or qualify for an exemption to these limits as defined in the Annexes of Directive 2011/65/EU (RoHS2). Finished electrical and electronic equipment products will be CE marked as required by Directive 2011/65/EU. Components may not be CE marked. Additionally, the part numbers that TE has identified as EU ELV compliant have a maximum concentration of 0.1% by weight in homogenous materials for lead, hexavalent chromium, and mercury, and 0.01% for cadmium, or qualify for an exemption to these limits as defined in the Annexes of Directive 2000/53/EC (ELV). Regarding the REACH Regulation, the information TE provides on SVHC in articles for this part number is based on the latest European Chemicals Agency (ECHA) 'Guidance on requirements for substances in articles' posted at this URL: <https://echa.europa.eu/guidance-documents/guidance-on-reach>

## Compatible Parts




TE Part # CAT-AM71-C83998C  
Circular Plastic Connector, CMC Series 1



TE Part # CAT-AM71-C83998Y  
One-Piece Connector, Sealed, CPC Series 1



TE Part # CAT-AM71-C83998J  
Cable/Panel Mount Connector, CPC Series 1



TE Part # CAT-AM71-C83998K  
Circular Connector, Environmentally Sealed, CPC Series 6



TE Part # 200893-2  
INSERTION TOOL CONT



TE Part # 305183  
EXTRACT TOOL TYPE 2 20-16



TE Part # 601967-1  
CRIMPING TOOL M22520/1-01



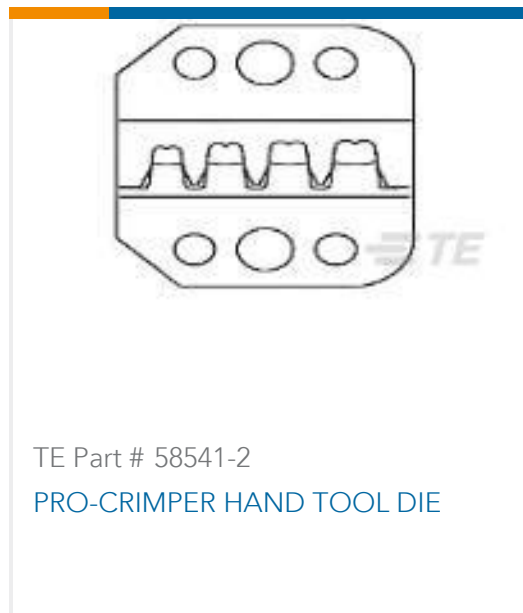
TE Part # 539972-1  
EXTRACTION TOOL



TE Part # 58541-1  
PRO-CRIMPER HAND TOOL & DIE



TE Part # 91539-1  
CCII TYPE II SKT 22-14 2x18 ASSY



TE Part # 58541-2  
PRO-CRIMPER HAND TOOL DIE

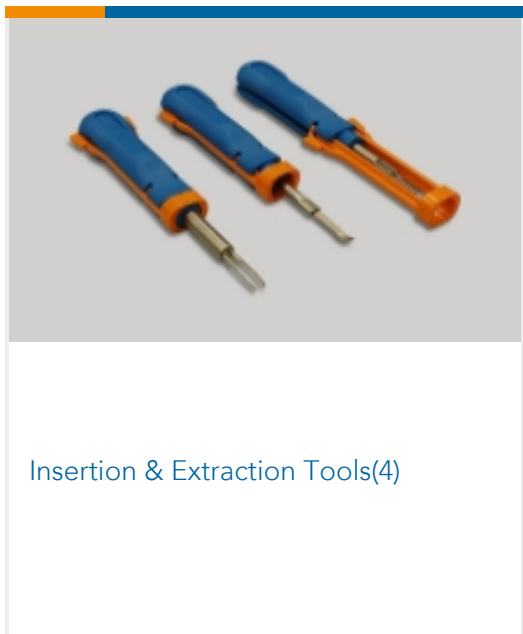


TE Part # 1-601967-6  
POSITIONER TYPE II CONTACTS

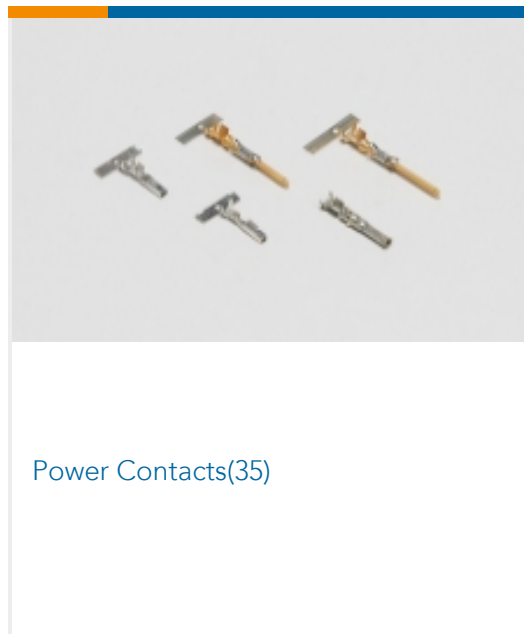


TE Part # 201161-1  
CONTACT SKT ASSY, SZ 16

### Also in the Series | AMP Type II



Insertion & Extraction Tools(4)



Power Contacts(35)

### Customers Also Bought



TE Part #7-1609097-8  
16EQ1=F8365



TE Part #35363  
TERMINAL,PIDG R 16-14HD 10



TE Part #1-794610-2  
MICRO MNL RPT CNT,LS PC 30AU L



TE Part #1445022-4  
MICRO MNL RFECEPT HSG SINGLE R



TE Part #3-2176092-9  
RP 2A 0.25W 1K78 0.1% 25PPM 1K RL



TE Part #201578-1  
CONTACT PIN ASSY.



TE Part #5-103957-3  
5X4 MTE RCPT SR LATCH .100CL



TE Part #201580-1  
SKT CONT ASSY,TYPE II



## Documents

### Product Drawings

#### CONTACT PIN ASSY.

English

### CAD Files

#### 3D PDF

3D

#### Customer View Model

[ENG\\_CVM\\_CVM\\_200336-1\\_AS.2d\\_dxf.zip](#)

English

#### Customer View Model

[ENG\\_CVM\\_CVM\\_200336-1\\_AS.3d\\_igs.zip](#)

English

#### Customer View Model

[ENG\\_CVM\\_CVM\\_200336-1\\_AS.3d\\_stp.zip](#)

English

#### 3D PDF

English

#### Customer View Model

[ENG\\_CVM\\_200336-1\\_AL.2d\\_dxf.zip](#)

English

#### Customer View Model

[ENG\\_CVM\\_200336-1\\_AL.3d\\_igs.zip](#)

English

#### Customer View Model

[ENG\\_CVM\\_200336-1\\_AL.3d\\_stp.zip](#)

English

By downloading the CAD file I accept and agree to the [Terms and Conditions](#) of use.

### Datasheets & Catalog Pages

#### AMP Circular Connectors for Commercial Signal & Power Applications

English

#### Signal Contacts

English

#### M\_SERIES\_PIN\_AND\_SOCKET\_CONNECTORS

English

### Product Specifications

#### Application Specification

Japanese

#### Application Specification

English

#### Type II Screw Machine Contacts





Japanese

[Application Specification](#)

Japanese

---

**Product Environmental Compliance**

[Product Compliance](#)

English

[Product Compliance](#)

English

---

**Instruction Sheets**

[Instruction Sheet \(U.S.\)](#)

Japanese

[Instruction Sheet \(U.S.\)](#)

English

[Instruction Sheet \(U.S.\)](#)

English

[Application and Maintenance for Crimping Die Assemblies](#)

English

[Instruction Sheet \(U.S.\)](#)

English

[Instruction Sheet \(U.S.\)](#)

English