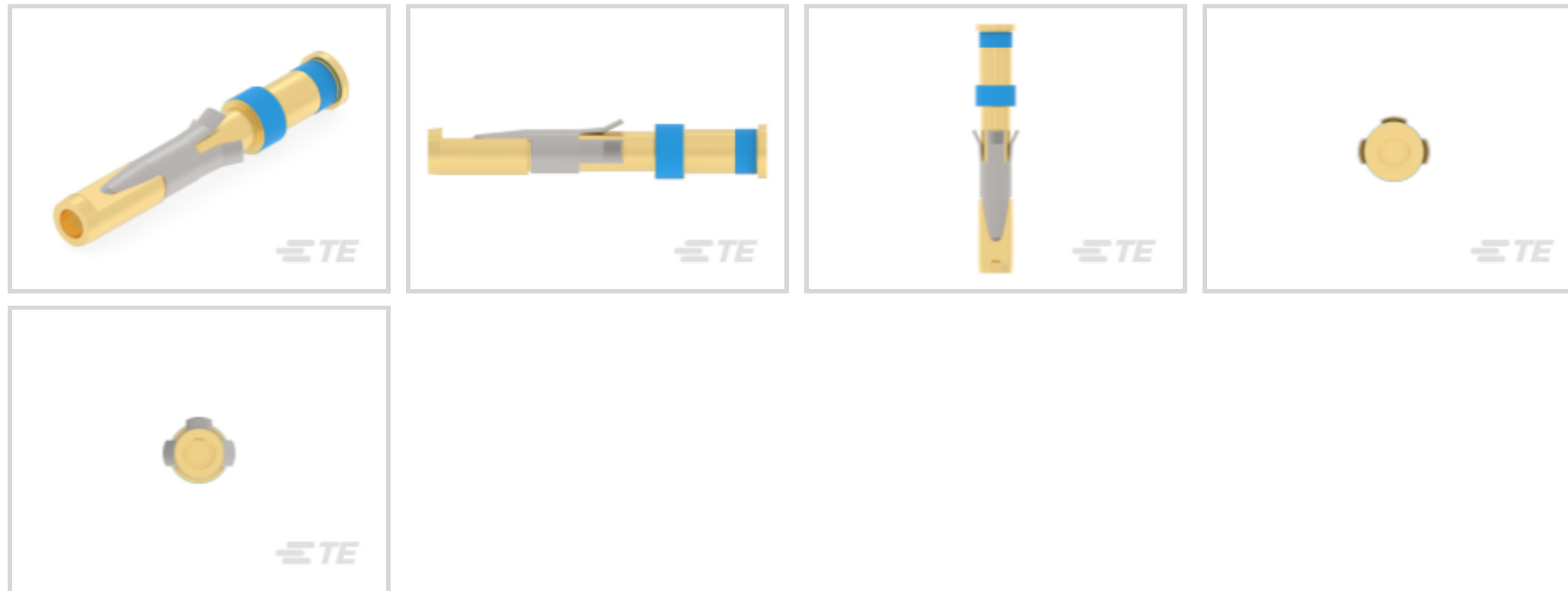




Connectors > Power Connectors > Power Contacts > Pin and Socket Contacts, Type II



Power Contact Type: **Contact**

Contact Mating Area Plating Material: **Gold**

Wire Size: **.8 – 1.4 mm²**

Sealable: **No**

[All Pin and Socket Contacts, Type II \(16\)](#)

Features

Product Type Features

| | |
|-----------------------------------|--------------|
| Power Contact Type | Contact |
| Sealable | No |
| Connector & Contact Terminates To | Wire & Cable |

Contact Features

| | |
|---|------------------|
| Contact Size | Size 16 |
| Contact Mating Area Plating Material | Gold |
| Contact Current Rating (Max) | 13 A |
| Contact Type | Socket |
| Contact Retention Within Housing | With |
| Mating Pin Diameter | 1.57 mm[.062 in] |
| Contact Base Material | Brass |
| Contact Mating Area Plating Material Thickness | .76 μm[30 μin] |
| Contact Mating Area Plating Material Finish | Bright |
| Wire Contact Termination Area Plating Thickness | .76 μm[30 μin] |



| | |
|--|-----------------|
| Wire Contact Termination Area Plating Material | Gold |
| Contact Orientation | Straight |
| Contact Underplating Material | Nickel |
| Contact Underplating Material Thickness | 1.27 µm[50 µin] |

Termination Features

| | |
|------------------------------------|-------|
| Termination Method to Wire & Cable | Crimp |
|------------------------------------|-------|

Mechanical Attachment

| | |
|---------------------------------------|---------|
| Contact Retention Type Within Housing | Snap-In |
| Wire Insulation Support | Without |

Dimensions

| | |
|-----------|--------------------------|
| Wire Size | .8 – 1.4 mm ² |
|-----------|--------------------------|

Usage Conditions

| | |
|-----------------------------|----------------------------|
| Operating Temperature Range | -55 – 105 °C[-55 – 302 °F] |
|-----------------------------|----------------------------|

Operation/Application

| | |
|---------------------|--------|
| Circuit Application | Signal |
|---------------------|--------|

Identification Marking

| | |
|--------------------|-----------|
| Contact Color Code | Blue/Blue |
|--------------------|-----------|

Packaging Features

| | |
|--------------------|------|
| Packaging Quantity | 1000 |
| Packaging Method | Bag |

Other

| | |
|--------------------------|---|
| Power Connectors Comment | Extraction Tool No. 305183, Insertion Tool No. 200893-2 (for insulation diameters 1.78 [.07] or less), Use turret TH502 (p/n 1-601967-6) with hand tool 601967-1. |
|--------------------------|---|

Product Compliance

[For compliance documentation, visit the product page on TE.com>](#)

| | |
|---|--|
| EU RoHS Directive 2011/65/EU | Compliant with Exemptions |
| EU ELV Directive 2000/53/EC | Compliant with Exemptions |
| China RoHS 2 Directive MIIT Order No 32, 2016 | Restricted Materials Above Threshold |
| EU REACH Regulation (EC) No. 1907/2006 | Current ECHA Candidate List: JUNE 2023 (235) |

Candidate List Declared Against: JUNE 2023 (235)

SVHC > Threshold:

Pb (2.5% in Component Part)

Article Safe Usage Statements:

Do not eat, drink or smoke when using this product. Wash thoroughly after handling. Recycle if possible and dispose of the article by following all applicable governmental regulations relevant to your geographic location.

Halogen Content

Low Halogen - Br, Cl, F, I < 900 ppm per homogenous material. Also BFR/CFR/PVC Free


Solder Process Capability

Not applicable for solder process capability

Product Compliance Disclaimer

This information is provided based on reasonable inquiry of our suppliers and represents our current actual knowledge based on the information they provided. This information is subject to change. The part numbers that TE has identified as EU RoHS compliant have a maximum concentration of 0.1% by weight in homogenous materials for lead, hexavalent chromium, mercury, PBB, PBDE, DBP, BBP, DEHP, DIBP, and 0.01% for cadmium, or qualify for an exemption to these limits as defined in the Annexes of Directive 2011/65/EU (RoHS2). Finished electrical and electronic equipment products will be CE marked as required by Directive 2011/65/EU. Components may not be CE marked. Additionally, the part numbers that TE has identified as EU ELV compliant have a maximum concentration of 0.1% by weight in homogenous materials for lead, hexavalent chromium, and mercury, and 0.01% for cadmium, or qualify for an exemption to these limits as defined in the Annexes of Directive 2000/53/EC (ELV). Regarding the REACH Regulation, the information TE provides on SVHC in articles for this part number is based on the latest European Chemicals Agency (ECHA) 'Guidance on requirements for substances in articles' posted at this URL: <https://echa.europa.eu/guidance-documents/guidance-on-reach>

Compatible Parts




TE Part # CAT-AM71-C83998C
Circular Plastic Connector, CMC Series 1



TE Part # CAT-AM71-C83998Y
One-Piece Connector, Sealed, CPC Series 1



TE Part # CAT-AM71-C83998J
Cable/Panel Mount Connector, CPC Series 1



TE Part # CAT-AM71-C83998K
Circular Connector, Environmentally Sealed, CPC Series 6



TE Part # 200893-2
INSERTION TOOL CONT



TE Part # 305183
EXTRACT TOOL TYPE 2 20-16



TE Part # 601967-1
CRIMPING TOOL M22520/1-01



TE Part # 539972-1
EXTRACTION TOOL



TE Part # 58541-1
PRO-CRIMPER HAND TOOL & DIE



TE Part # 91539-1
CCII TYPE II SKT 22-14 2x18 ASSY



TE Part # 58541-2
PRO-CRIMPER HAND TOOL DIE

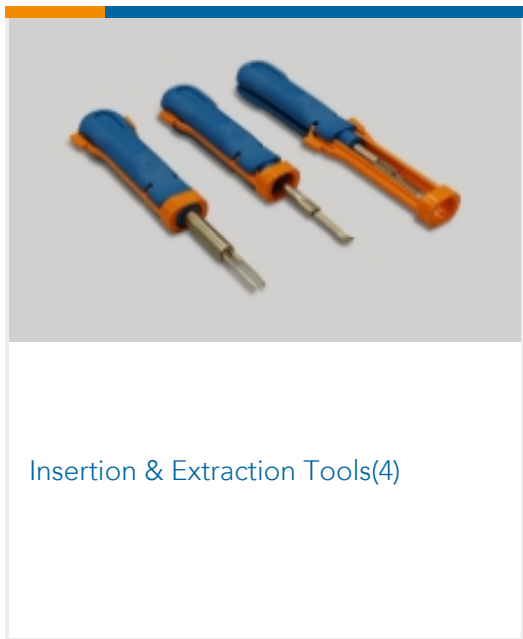


TE Part # 1-601967-5
POSITIONER TYPE II CONTACTS

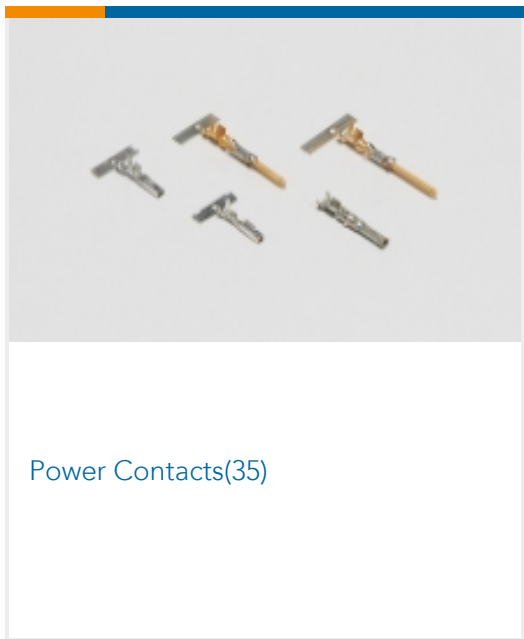


TE Part # 1-601967-6
POSITIONER TYPE II CONTACTS

Also in the Series | AMP Type II



Insertion & Extraction Tools(4)



Power Contacts(35)

Customers Also Bought



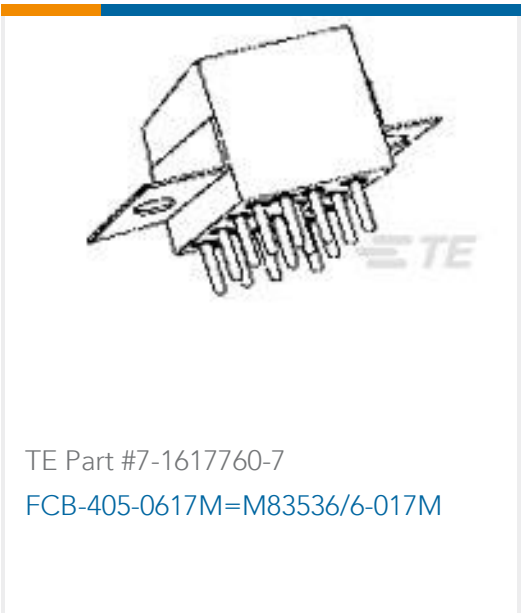
TE Part #325505
TERMINAL,AMPPOWER 3/0 1/2



TE Part #55831-2
TERM,AMPWR 500MCM HD (2)3/8



TE Part #NB12904001
RNF-100-1/2-RD-FSP



TE Part #7-1617760-7
FCB-405-0617M=M83536/6-017M



TE Part #992899-000
D-110-0181



TE Part #201501-1
SPIROL PIN



TE Part #ZPF000000000003590
724-0001-12



TE Part #528425-000
55A0122-22-9/96



Documents

Product Drawings

[CONTACT SOC. ASSY.](#)

English

CAD Files

[3D PDF](#)

English

Customer View Model

[ENG_CVM_200333-1_AU.2d_dxf.zip](#)

English

Customer View Model

[ENG_CVM_200333-1_AU.3d_igs.zip](#)

English

Customer View Model

[ENG_CVM_200333-1_AU.3d_stp.zip](#)

English

[3D PDF](#)

3D

Customer View Model

[ENG_CVM_CVM_200333-1_BF.2d_dxf.zip](#)

English

Customer View Model

[ENG_CVM_CVM_200333-1_BF.3d_igs.zip](#)

English

Customer View Model

[ENG_CVM_CVM_200333-1_BF.3d_stp.zip](#)

English

By downloading the CAD file I accept and agree to the [Terms and Conditions](#) of use.

Datasheets & Catalog Pages

[AMP Circular Connectors for Commercial Signal & Power Applications](#)

English

[Signal Contacts](#)

English

[M_SERIES_PIN_AND_SOCKET_CONNECTORS](#)



English

Product Specifications

Application Specification

Japanese

Application Specification

English

Type II Screw Machine Contacts

Japanese

Application Specification

Japanese

Product Environmental Compliance

Product Compliance

English

Product Compliance

English

Instruction Sheets

Instruction Sheet (U.S.)

Japanese

Instruction Sheet (U.S.)

English

Instruction Sheet (U.S.)

English

Application and Maintenance for Crimping Die Assemblies

English

Instruction Sheet (U.S.)

English

Instruction Sheet (U.S.)

English