



Sensors > Position Sensors > Liquid Level Switches > Horizontal Liquid Level Switches



Liquid Level Switch Mounting: **Side Entry**

Medium/Liquid: **Alcohol, Fuel, Oil**

Contact Form: **A**

Fitting: **1/2 NPT**

Liquid Level Switch Material: **Glass Filled Nylon 6.6**

[All Horizontal Liquid Level Switches \(18\)](#)

Features

Product Type Features

| | |
|----------|-----|
| Float SG | .85 |
|----------|-----|

Body Features

| | |
|------------------------------|------------------------|
| Liquid Level Switch Mounting | Side Entry |
| Liquid Level Switch Material | Glass Filled Nylon 6.6 |
| Seal Material | Silicone |

Contact Features

| | |
|--------------|---|
| Contact Form | A |
|--------------|---|

Dimensions

| | |
|----------------------------------|--------------|
| Liquid Level Switch Cable Length | 2 m[6.56 ft] |
|----------------------------------|--------------|

Other

| | |
|---------------|--------------------|
| Medium/Liquid | Alcohol, Fuel, Oil |
| Fitting | 1/2 NPT |

Product Compliance

[For compliance documentation, visit the product page on TE.com>](#)

| | |
|------------------------------|-----------|
| EU RoHS Directive 2011/65/EU | Compliant |
|------------------------------|-----------|



| | |
|---|--|
| EU ELV Directive 2000/53/EC | Out of Scope |
| China RoHS 2 Directive MIIT Order No 32, 2016 | No Restricted Materials Above Threshold |
| EU REACH Regulation (EC) No. 1907/2006 | Current ECHA Candidate List: JUNE 2023 (235) Not Yet Reviewed |
| Halogen Content | Not Yet Reviewed for halogen content |
| Solder Process Capability | Not reviewed for solder process capability |

Product Compliance Disclaimer

This information is provided based on reasonable inquiry of our suppliers and represents our current actual knowledge based on the information they provided. This information is subject to change. The part numbers that TE has identified as EU RoHS compliant have a maximum concentration of 0.1% by weight in homogenous materials for lead, hexavalent chromium, mercury, PBB, PBDE, DBP, BBP, DEHP, DIBP, and 0.01% for cadmium, or qualify for an exemption to these limits as defined in the Annexes of Directive 2011/65/EU (RoHS2). Finished electrical and electronic equipment products will be CE marked as required by Directive 2011/65/EU. Components may not be CE marked. Additionally, the part numbers that TE has identified as EU ELV compliant have a maximum concentration of 0.1% by weight in homogenous materials for lead, hexavalent chromium, and mercury, and 0.01% for cadmium, or qualify for an exemption to these limits as defined in the Annexes of Directive 2000/53/EC (ELV). Regarding the REACH Regulation, the information TE provides on SVHC in articles for this part number is based on the latest European Chemicals Agency (ECHA) 'Guidance on requirements for substances in articles' posted at this URL: <https://echa.europa.eu/guidance-documents/guidance-on-reach>

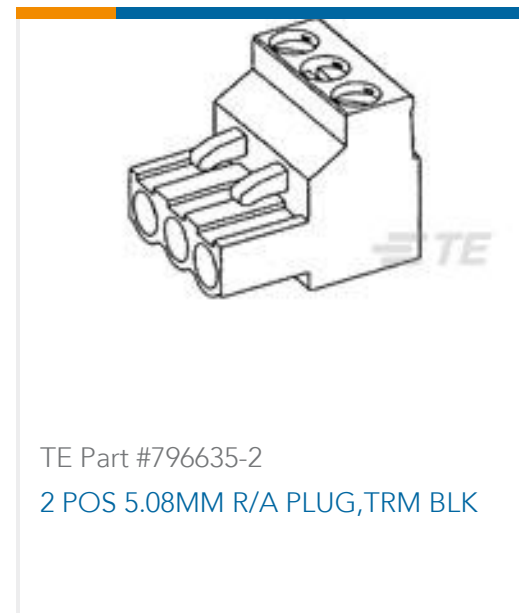
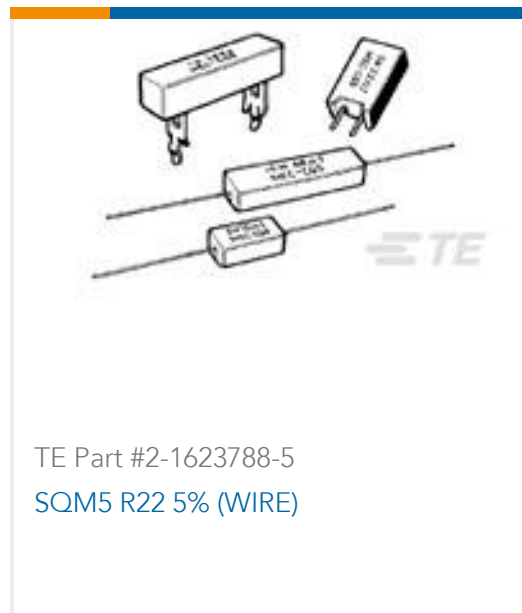
Compatible Parts



Also in the Series | MEAS LS



Customers Also Bought



Documents

Product Drawings

[LS309-32 Liquid Level Sensor](#)

English

CAD Files

[3D PDF](#)

3D

Customer View Model

[ENG_CVM_CVM_20017782-00_A.2d_dxf.zip](#)

English

Customer View Model

[ENG_CVM_CVM_20017782-00_A.3d_igs.zip](#)

English

Customer View Model

[ENG_CVM_CVM_20017782-00_A.3d_stp.zip](#)

English

By downloading the CAD file I accept and agree to the [Terms and Conditions](#) of use.

Datasheets & Catalog Pages



[LS_SERIES](#)

English