



Sensors > Position Sensors > Liquid Level Switches > Vertical Compact Liquid Level Switches



Liquid Level Switch Mounting: **Bottom Entry, Top Entry**

Medium/Liquid: **Alcohol, Fuel, Oil**

Contact Form: **A**

Fitting: **M8 Internal**

Liquid Level Switch Material: **Glass Filled Nylon 6.6**

[All Vertical Compact Liquid Level Switches \(10\)](#)

Features

Product Type Features

Float SG	.66
----------	-----

Body Features

Liquid Level Switch Mounting	Bottom Entry, Top Entry
Liquid Level Switch Material	Glass Filled Nylon 6.6
Seal Material	Nitrile

Contact Features

Contact Form	A
--------------	---

Dimensions

Liquid Level Switch Cable Length	.1 m [.328 ft]
----------------------------------	----------------

Other

Medium/Liquid	Alcohol, Fuel, Oil
Fitting	M8 Internal

Product Compliance

[For compliance documentation, visit the product page on TE.com>](#)

EU RoHS Directive 2011/65/EU	Compliant
------------------------------	-----------

EU ELV Directive 2000/53/EC	Not Yet Reviewed
China RoHS 2 Directive MIIT Order No 32, 2016	No Restricted Materials Above Threshold
EU REACH Regulation (EC) No. 1907/2006	Current ECHA Candidate List: JUNE 2023 (235) Not Yet Reviewed
Halogen Content	Not Yet Reviewed for halogen content
Solder Process Capability	Not reviewed for solder process capability

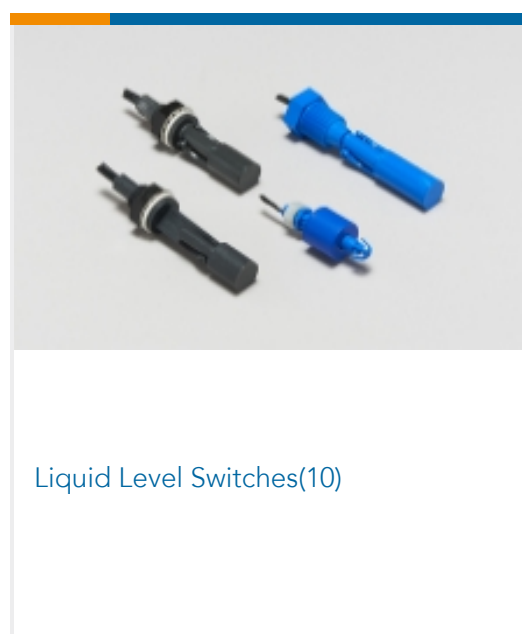
Product Compliance Disclaimer

This information is provided based on reasonable inquiry of our suppliers and represents our current actual knowledge based on the information they provided. This information is subject to change. The part numbers that TE has identified as EU RoHS compliant have a maximum concentration of 0.1% by weight in homogenous materials for lead, hexavalent chromium, mercury, PBB, PBDE, DBP, BBP, DEHP, DIBP, and 0.01% for cadmium, or qualify for an exemption to these limits as defined in the Annexes of Directive 2011/65/EU (RoHS2). Finished electrical and electronic equipment products will be CE marked as required by Directive 2011/65/EU. Components may not be CE marked. Additionally, the part numbers that TE has identified as EU ELV compliant have a maximum concentration of 0.1% by weight in homogenous materials for lead, hexavalent chromium, and mercury, and 0.01% for cadmium, or qualify for an exemption to these limits as defined in the Annexes of Directive 2000/53/EC (ELV). Regarding the REACH Regulations, TE's information on SVHC in articles for this part number is still based on the European Chemical Agency (ECHA) 'Guidance on requirements for substances in articles' (Version: 2, April 2011), applying the 0.1% weight on weight concentration threshold at the finished product level. TE is aware of the European Court of Justice ruling of September 10th, 2015 also known as O5A (Once An Article Always An Article) stating that, in case of 'complex object', the threshold for a SVHC must be applied to both the product as a whole and simultaneously to each of the articles forming part of its composition. TE has evaluated this ruling based on the new ECHA "Guidance on requirements for substances in articles" (June 2017, version 4.0) and will be updating its statements accordingly.

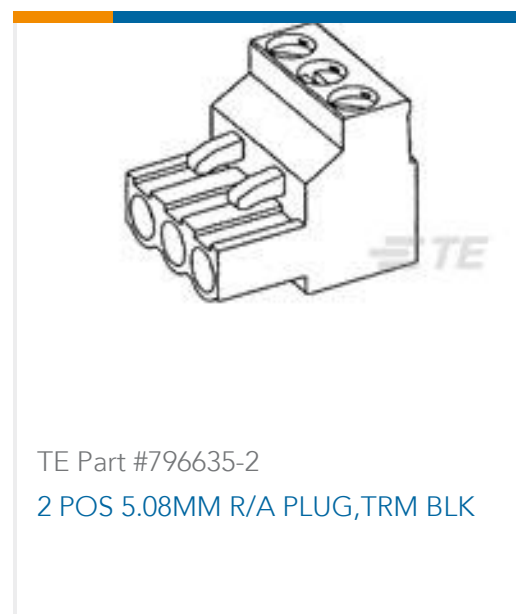
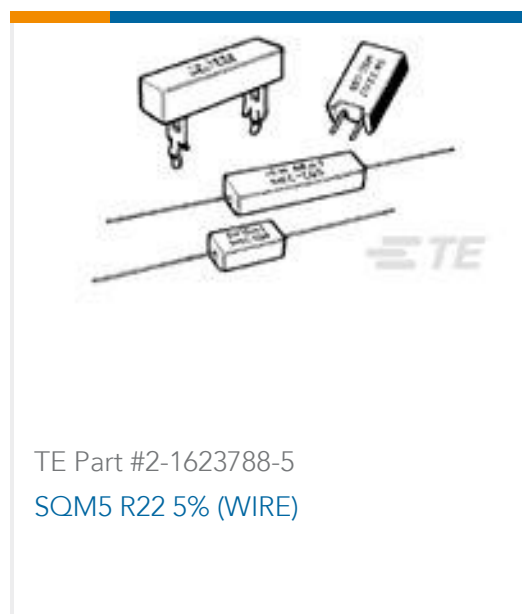
Compatible Parts



Also in the Series | MEAS VCS



Customers Also Bought



Documents

Product Drawings

VCS-06 Liquid Level Sensor

English

CAD Files

3D PDF

3D

Customer View Model

[ENG_CVM_CVM_20017616-06_A.2d_dxf.zip](#)

English

Customer View Model

[ENG_CVM_CVM_20017616-06_A.3d_igs.zip](#)

English

Customer View Model

[ENG_CVM_CVM_20017616-06_A.3d_stp.zip](#)

English

By downloading the CAD file I accept and agree to the [Terms and Conditions](#) of use.

Datasheets & Catalog Pages



VCS_SERIES

English