



Sensors > Pressure Sensors > Pressure Transducers



Pressure Transducer Sensor Type: **Low Cost Pressure Transducer**

Pressure Range: **0 – 70 bar**

Pressure Type: **Gauge**

Pressure Transducer Supply Voltage: **9 – 30 V**

Output/Span: **4 – 20 mA**

Features

Product Type Features

Pressure Transducer Sensor Type	Low Cost Pressure Transducer
Pressure Type	Gauge

Configuration Features

Electrical Connection	Cable 1 m
Pressure Port/Fitting	1/4-18 NPT

Electrical Characteristics

Pressure Transducer Supply Voltage	9 – 30 V
------------------------------------	----------

Dimensions

Dimensions	22.25 x 22.25 x 53.34 mm [.875 x .875 x 2.1 in]
------------	---

Usage Conditions

Pressure	70 bar [1000 psi]
Operating Temperature Range	-40 – 105 °C [-40 – 221 °F]

Operation/Application

Proof Pressure Range	2X Rated
Pressure Range	0 – 70 bar
Output/Span	4 – 20 mA
Pressure Accuracy	±0.25% FSO

Other



Sensor Options	Adhesive Label, No Snubber
----------------	----------------------------

Product Compliance

[For compliance documentation, visit the product page on TE.com>](#)

EU RoHS Directive 2011/65/EU	Compliant with Exemptions
EU ELV Directive 2000/53/EC	Out of Scope
China RoHS 2 Directive MIIT Order No 32, 2016	Restricted Materials Above Threshold
EU REACH Regulation (EC) No. 1907/2006	Current ECHA Candidate List: JUNE 2023 (235) Not Yet Reviewed
Halogen Content	Not Yet Reviewed for halogen content
Solder Process Capability	Not reviewed for solder process capability

Product Compliance Disclaimer

This information is provided based on reasonable inquiry of our suppliers and represents our current actual knowledge based on the information they provided. This information is subject to change. The part numbers that TE has identified as EU RoHS compliant have a maximum concentration of 0.1% by weight in homogenous materials for lead, hexavalent chromium, mercury, PBB, PBDE, DBP, BBP, DEHP, DIBP, and 0.01% for cadmium, or qualify for an exemption to these limits as defined in the Annexes of Directive 2011/65/EU (RoHS2). Finished electrical and electronic equipment products will be CE marked as required by Directive 2011/65/EU. Components may not be CE marked. Additionally, the part numbers that TE has identified as EU ELV compliant have a maximum concentration of 0.1% by weight in homogenous materials for lead, hexavalent chromium, and mercury, and 0.01% for cadmium, or qualify for an exemption to these limits as defined in the Annexes of Directive 2000/53/EC (ELV). Regarding the REACH Regulations, TE's information on SVHC in articles for this part number is still based on the European Chemical Agency (ECHA) 'Guidance on requirements for substances in articles' (Version: 2, April 2011), applying the 0.1% weight on weight concentration threshold at the finished product level. TE is aware of the European Court of Justice ruling of September 10th, 2015 also known as O5A (Once An Article Always An Article) stating that, in case of 'complex object', the threshold for a SVHC must be applied to both the product as a whole and simultaneously to each of the articles forming part of its composition. TE has evaluated this ruling based on the new ECHA "Guidance on requirements for substances in articles" (June 2017, version 4.0) and will be updating its statements accordingly.

Compatible Parts



Also in the Series | [MEAS M3200](#)



Pressure Transducers(39)

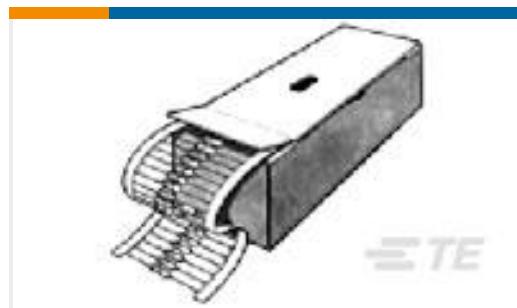
Customers Also Bought



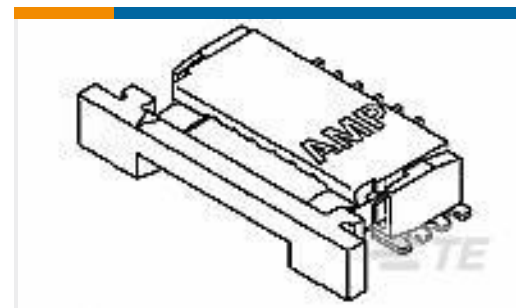
TE Part #T4013008041-000
M8,SCREW, MALE,R/A,UNSHIELD,4P,
GOLD



TE Part #1470364-2
1.0MM W T B RECPT,2POS HOUSING



TE Part #2176083-7
EP 5W (S) 100R 5%



TE Part #84952-8
1MM FPC HORZ.BTTM CONT.ASS.8P



TE Part #1-1734248-5
1.0 FPC, ZIF V/T, SMT, 15P



TE Part #5-2176337-0
CRGCO 0402 120K 1%



TE Part #5-2176337-1
CRGCO 0402 150K 1%



TE Part #2-2176325-5
CRGP 0402 1K0 1%



TE Part #2001140-03
PACKARD INTERFACE CONN/CBL 3'



TE Part #10202304-00
PRESS XDCR M5251-000005-01KPG

Documents

CAD Files

[3D PDF](#)

[3D](#)

Customer View Model

[ENG_CVM_CVM_20014203-11_H.2d_dxf.zip](#)

English

Customer View Model

[ENG_CVM_CVM_20014203-11_H.3d_igs.zip](#)



English

Customer View Model

[ENG_CVM_CVM_20014203-11_H.3d_stp.zip](#)

English

By downloading the CAD file I accept and agree to the [Terms and Conditions](#) of use.

Datasheets & Catalog Pages

[M3200 Pressure Transducer](#)

English