



Sensors > Vibration Sensors

Accelerometer Type: **3-Wire Voltage**Vibration Sensor Product Type: **AC Response Plug & Play Accelerometers**Number of Sensing Axes: **Uniaxial**Frequency Response: **2-10000 Hz**Full Scale Output Voltage: **±1.25 VDC**

Features

Product Type Features

Accelerometer Type	3-Wire Voltage
Vibration Sensor Product Type	AC Response Plug & Play Accelerometers

Configuration Features

Electrical Connection	Integral Cable
-----------------------	----------------

Electrical Characteristics

Excitation Voltage	3.3 – 5.5 VDC
Full Scale Output Voltage	±1.25 VDC

Signal Characteristics

Frequency Response	2-10000 Hz
--------------------	------------

Body Features

Product Weight	2.2 g[.078 oz]
Primary Product Material	Anodized Aluminum
Number of Sensing Axes	Uniaxial

Mechanical Attachment

Mounting Type	Adhesive
---------------	----------

Usage Conditions

Operating Temperature Range	-40 – 125 °C[-40 – 257 °F]
-----------------------------	----------------------------



Other

Nonlinearity	±2 %FSO
Acceleration Range (±)	25 g
Sensitivity	50 mV/g

Product Compliance

[For compliance documentation, visit the product page on TE.com>](#)

EU RoHS Directive 2011/65/EU	Compliant with Exemptions
EU ELV Directive 2000/53/EC	Out of Scope
China RoHS 2 Directive MIIT Order No 32, 2016	Restricted Materials Above Threshold
EU REACH Regulation (EC) No. 1907/2006	<p>Current ECHA Candidate List: JUNE 2023 (235) Candidate List Declared Against: JAN 2023 (233) SVHC > Threshold: Octamethylcyclotetrasiloxane (D4) (.25% in component part) Decamethylcyclopentasiloxane (D5) (.25% in component part) Dodecamethylcyclohexasiloxane (D6) (.25% in component part)</p> <p>Article Safe Usage Statements: Wash thoroughly after handling. Recycle if possible and dispose of the article by following all applicable governmental regulations relevant to your geographic location.</p>
Halogen Content	Not Yet Reviewed for halogen content
Solder Process Capability	Not reviewed for solder process capability

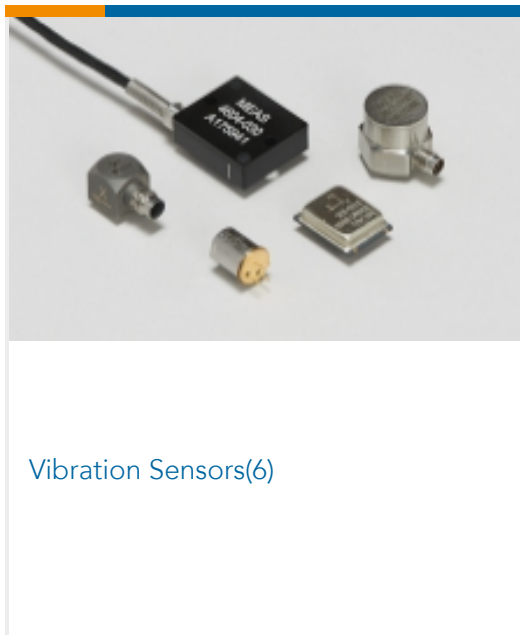
Product Compliance Disclaimer

This information is provided based on reasonable inquiry of our suppliers and represents our current actual knowledge based on the information they provided. This information is subject to change. The part numbers that TE has identified as EU RoHS compliant have a maximum concentration of 0.1% by weight in homogenous materials for lead, hexavalent chromium, mercury, PBB, PBDE, DBP, BBP, DEHP, DIBP, and 0.01% for cadmium, or qualify for an exemption to these limits as defined in the Annexes of Directive 2011/65/EU (RoHS2). Finished electrical and electronic equipment products will be CE marked as required by Directive 2011/65/EU. Components may not be CE marked. Additionally, the part numbers that TE has identified as EU ELV compliant have a maximum concentration of 0.1% by weight in homogenous materials for lead, hexavalent chromium, and mercury, and 0.01% for cadmium, or qualify for an exemption to these limits as defined in the Annexes of Directive 2000/53/EC (ELV). Regarding the REACH Regulations, TE's information on SVHC in articles for this part number is still based on the European Chemical Agency (ECHA) 'Guidance on requirements for substances in articles' (Version: 2, April 2011), applying the 0.1% weight on weight concentration threshold at the finished product level. TE is aware of the European Court of Justice ruling of September 10th, 2015 also known as O5A (Once An Article Always An Article) stating that, in case of 'complex object', the threshold for a SVHC must be applied to both the product as a whole and simultaneously to each of the articles forming part of its composition. TE has evaluated this ruling based on the new ECHA "Guidance on requirements for substances in articles" (June 2017, version 4.0) and will be updating its statements accordingly.

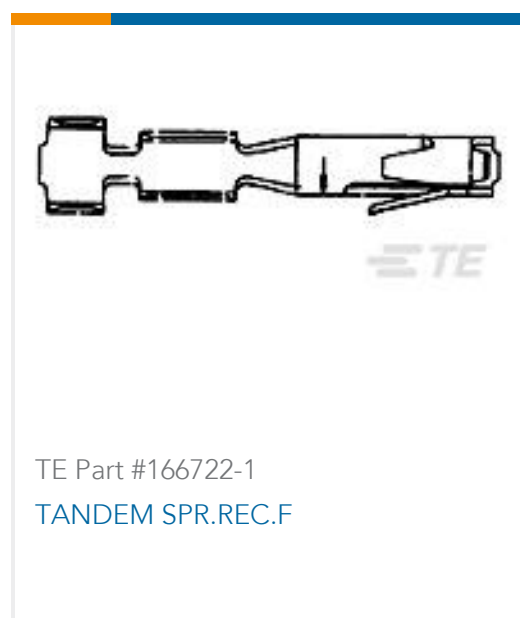
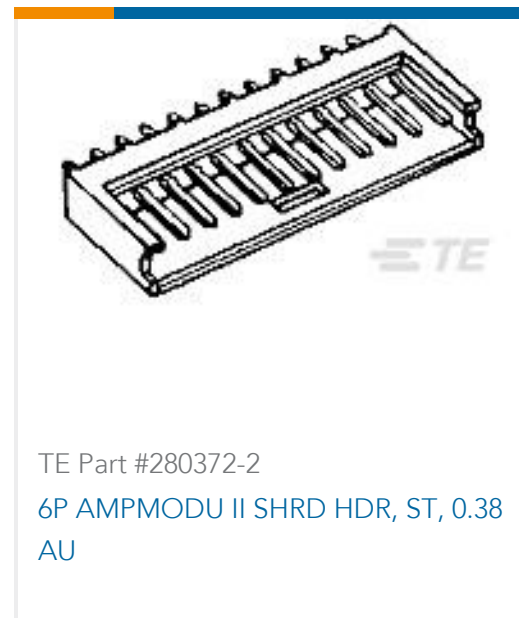
Compatible Parts



Also in the Series | MEAS 8201



Customers Also Bought





Documents

CAD Files

3D PDF

3D

Customer View Model

[ENG_CVM_CVM_20010610-00_A.2d_dxf.zip](#)

English

Customer View Model

[ENG_CVM_CVM_20010610-00_A.3d_igs.zip](#)

English

Customer View Model

[ENG_CVM_CVM_20010610-00_A.3d_stp.zip](#)

English

By downloading the CAD file I accept and agree to the [Terms and Conditions](#) of use.

Datasheets & Catalog Pages

[8201_Accelerometer](#)

English