



MEAS | MEAS FX29

TE Internal #: 20009605-18

TE Internal Description: FX29K0-040B-0050-L

Compact Compression Load Cell

[View on TE.com >](#)

Sensors > Force Sensors > Force Sensor Elements > Compact Compression Load Cell



Force Sensor Element Sensor Type: OEM Compression Load Cells

Full Scale Range: 50 – 50 lbf

Operating Temperature Range: 0 – 50 °C [32 – 122 °F]

Output Signal: 14 Bit I2C

Zero Shift in CTR: ±.05 % of FS

[All Compact Compression Load Cell \(47\)](#)

Features

Product Type Features

Force Sensor Element Sensor Type	OEM Compression Load Cells
----------------------------------	----------------------------

Electrical Characteristics

Supply Voltage	3 VDC
Full Scale Range	50 – 50 lbf

Signal Characteristics

Output Signal	14 Bit I2C
---------------	------------

Usage Conditions

Operating Temperature Range	0 – 50 °C[32 – 122 °F]
-----------------------------	------------------------

Other

Accuracy	±1 % of FS
Force Direction	Compression
Zero Shift in CTR	±.05 % of FS
Sensitivity Shift	±.05 % of FS

Product Compliance

[For compliance documentation, visit the product page on TE.com>](#)

EU RoHS Directive 2011/65/EU	Compliant with Exemptions
EU ELV Directive 2000/53/EC	Not Yet Reviewed
China RoHS 2 Directive MIIT Order No 32, 2016	Restricted Materials Above Threshold
EU REACH Regulation (EC) No. 1907/2006	Current ECHA Candidate List: JUNE 2023 (235) Candidate List Declared Against: JAN 2019 (197) SVHC > Threshold: Not Yet Reviewed
Halogen Content	Not Yet Reviewed for halogen content
Solder Process Capability	Not reviewed for solder process capability

Product Compliance Disclaimer

This information is provided based on reasonable inquiry of our suppliers and represents our current actual knowledge based on the information they provided. This information is subject to change. The part numbers that TE has identified as EU RoHS compliant have a maximum concentration of 0.1% by weight in homogenous materials for lead, hexavalent chromium, mercury, PBB, PBDE, DBP, BBP, DEHP, DIBP, and 0.01% for cadmium, or qualify for an exemption to these limits as defined in the Annexes of Directive 2011/65/EU (RoHS2). Finished electrical and electronic equipment products will be CE marked as required by Directive 2011/65/EU. Components may not be CE marked. Additionally, the part numbers that TE has identified as EU ELV compliant have a maximum concentration of 0.1% by weight in homogenous materials for lead, hexavalent chromium, and mercury, and 0.01% for cadmium, or qualify for an exemption to these limits as defined in the Annexes of Directive 2000/53/EC (ELV). Regarding the REACH Regulations, TE's information on SVHC in articles for this part number is still based on the European Chemical Agency (ECHA) 'Guidance on requirements for substances in articles' (Version: 2, April 2011), applying the 0.1% weight on weight concentration threshold at the finished product level. TE is aware of the European Court of Justice ruling of September 10th, 2015 also known as O5A (Once An Article Always An Article) stating that, in case of 'complex object', the threshold for a SVHC must be applied to both the product as a whole and simultaneously to each of the articles forming part of its composition. TE has evaluated this ruling based on the new ECHA "Guidance on requirements for substances in articles" (June 2017, version 4.0) and will be updating its statements accordingly.

Compatible Parts

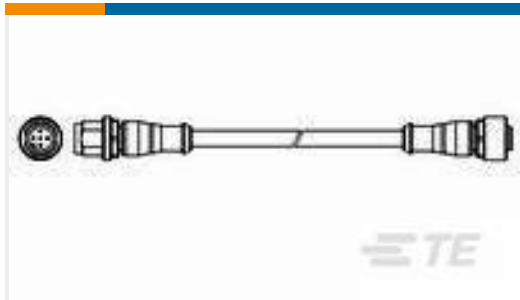


Also in the Series | [MEAS FX29](#)

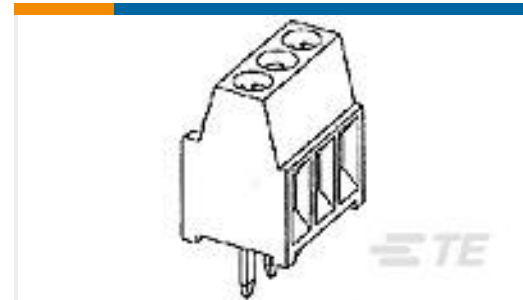


Force Sensor Elements(47)

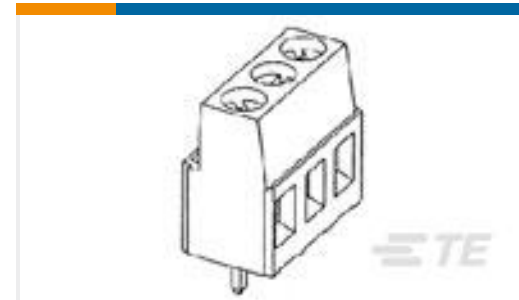
Customers Also Bought



TE Part #1-2273112-1
M12 strgt plug to M12 strgt socket AA



TE Part #282834-3
TERMI-BLOK PCB MOUNT, 90 3P.



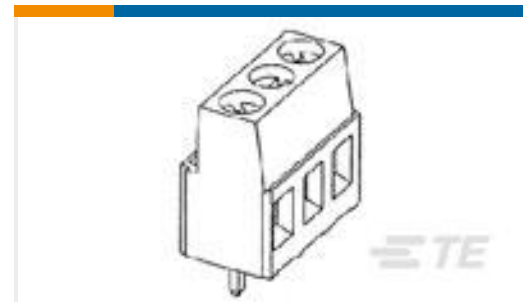
TE Part #282856-3
TERMI-BLOK PCB MOUNT 3P



TE Part #282837-3
TERMI-BLOK PCB MOUNT 3P



TE Part #1623776-1
MPC5 10R 5%



TE Part #282856-5
TERMI-BLOK PCB MOUNT 5P



TE Part #9-2176398-8
3502 180R 5%



TE Part #2-2176341-5
CRGCO 0805 1K0 1%



TE Part #3-2176342-4
CRGCO 0805 330K 5%

Documents

CAD Files

[3D PDF](#)

[3D](#)

[Customer View Model](#)

[ENG_CVM_CVM_20009605-18_D.2d_dxf.zip](#)

[English](#)

[Customer View Model](#)

[ENG_CVM_CVM_20009605-18_D.3d_igs.zip](#)



English

Customer View Model

[ENG_CVM_CVM_20009605-18_D.3d_stp.zip](#)

English

By downloading the CAD file I accept and agree to the [Terms and Conditions](#) of use.

Datasheets & Catalog Pages

[FX29 COMPRESSION LOAD CELL](#)

English