



MEAS | MEAS FX29

TE Internal #: 20009605-17

TE Internal Description: FX29K0-040B-0025-L

Compact Compression Load Cell

[View on TE.com >](#)

Sensors > Force Sensors > Force Sensor Elements > Compact Compression Load Cell



Force Sensor Element Sensor Type: OEM Compression Load Cells

Full Scale Range: 25 – 25 lbf

Operating Temperature Range: 0 – 50 °C [32 – 122 °F]

Output Signal: 14 Bit I2C

Zero Shift in CTR: ±.05 % of FS

[All Compact Compression Load Cell \(47\)](#)

Features

Product Type Features

Force Sensor Element Sensor Type	OEM Compression Load Cells
----------------------------------	----------------------------

Electrical Characteristics

Supply Voltage	3 VDC
Full Scale Range	25 – 25 lbf

Signal Characteristics

Output Signal	14 Bit I2C
---------------	------------

Usage Conditions

Operating Temperature Range	0 – 50 °C[32 – 122 °F]
-----------------------------	------------------------

Other

Accuracy	±1 % of FS
Force Direction	Compression
Zero Shift in CTR	±.05 % of FS
Sensitivity Shift	±.05 % of FS

Product Compliance

[For compliance documentation, visit the product page on TE.com>](#)



EU RoHS Directive 2011/65/EU	Compliant with Exemptions
EU ELV Directive 2000/53/EC	Compliant
China RoHS 2 Directive MIIT Order No 32, 2016	Restricted Materials Above Threshold
EU REACH Regulation (EC) No. 1907/2006	<p>Current ECHA Candidate List: JUNE 2023 (235)</p> <p>Candidate List Declared Against: JUNE 2023 (235)</p> <p>SVHC > Threshold:</p> <p>Dodecamethylcyclohexasiloxane (D6) (.26% in component part)</p> <p>Decamethylcyclopentasiloxane (D5) (.12% in component part)</p> <p>Article Safe Usage Statements: Wash thoroughly after handling. Recycle if possible and dispose of the article by following all applicable governmental regulations relevant to your geographic location.</p>
Halogen Content	Not Yet Reviewed for halogen content
Solder Process Capability	Not reviewed for solder process capability

Product Compliance Disclaimer

This information is provided based on reasonable inquiry of our suppliers and represents our current actual knowledge based on the information they provided. This information is subject to change. The part numbers that TE has identified as EU RoHS compliant have a maximum concentration of 0.1% by weight in homogenous materials for lead, hexavalent chromium, mercury, PBB, PBDE, DBP, BBP, DEHP, DIBP, and 0.01% for cadmium, or qualify for an exemption to these limits as defined in the Annexes of Directive 2011/65/EU (RoHS2). Finished electrical and electronic equipment products will be CE marked as required by Directive 2011/65/EU. Components may not be CE marked. Additionally, the part numbers that TE has identified as EU ELV compliant have a maximum concentration of 0.1% by weight in homogenous materials for lead, hexavalent chromium, and mercury, and 0.01% for cadmium, or qualify for an exemption to these limits as defined in the Annexes of Directive 2000/53/EC (ELV). Regarding the REACH Regulation, the information TE provides on SVHC in articles for this part number is based on the latest European Chemicals Agency (ECHA) 'Guidance on requirements for substances in articles' posted at this URL: <https://echa.europa.eu/guidance-documents/guidance-on-reach>

Compatible Parts

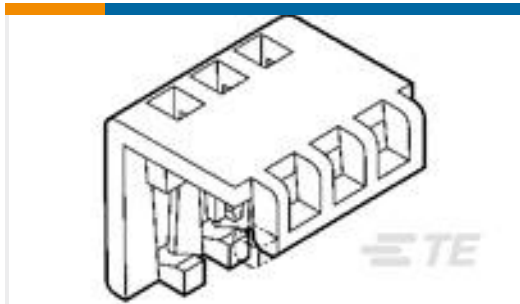


Also in the Series | **MEAS FX29**

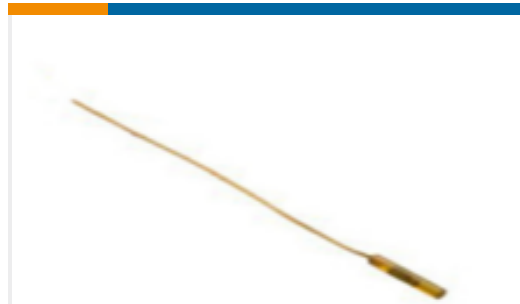


Force Sensor Elements(47)

Customers Also Bought



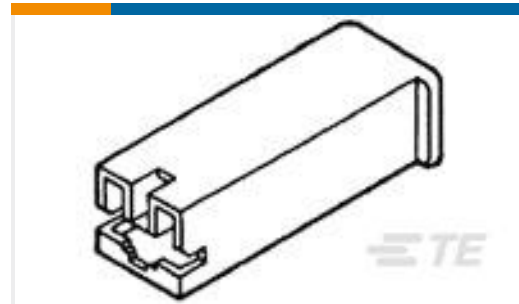
TE Part #643075-4
04P MTA100 MOLDED COVER



TE Part #GA2K7MCD1
MCD PROBE, 2K OHMS,



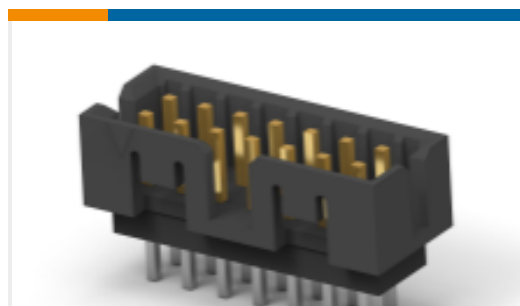
TE Part #T4061420003-005
M8 CABLE RA FEMALE 5M 3POS PUR
CABLE



TE Part #172076-6
POSITIVE LOCK 250 HOUSING
RECEPTACLE



TE Part #1969632-1
250 FASTON HSG., REC., 1 POS, BLACK



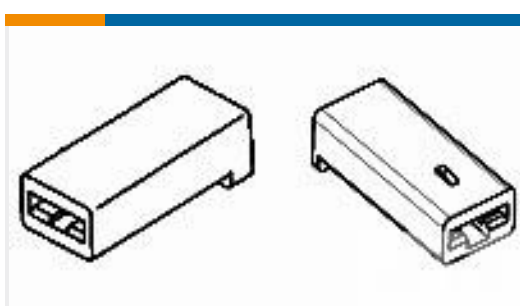
TE Part #1-2842238-4
14P, 2MM, SHRD HDR, DRVT, 0.76AU, TB



TE Part #3-644083-4
04P MTA100 CONN ASSY POL TAB



TE Part #154719-5
PL 250 REC HSG 1P NYLON GREEN



TE Part #480054-5
FF 250 REC HSG 1P NYLON RED



TE Part #INTSE-1A-180-AP-5
INTRASENSE EVALUATION KIT

Documents

[CAD Files](#)

[3D PDF](#)

[3D](#)

[Customer View Model](#)

[ENG_CVM_CVM_20009605-17_D.2d_dxf.zip](#)

[English](#)

[Customer View Model](#)

[ENG_CVM_CVM_20009605-17_D.3d_igs.zip](#)



English

Customer View Model

[ENG_CVM_CVM_20009605-17_D.3d_stp.zip](#)

English

By downloading the CAD file I accept and agree to the [Terms and Conditions](#) of use.

Datasheets & Catalog Pages

FX29 COMPRESSION LOAD CELL

English