



MEAS | MEAS FX29

TE Internal #: 20009605-04

TE Internal Description: FX292X-100A-0010-L

Compact Compression Load Cell

[View on TE.com >](#)

Sensors > Force Sensors > Force Sensor Elements > Compact Compression Load Cell



Force Sensor Element Sensor Type: OEM Compression Load Cells

Full Scale Range: 10 – 10 lbf

Operating Temperature Range: 0 – 50 °C [ 32 – 122 °F ]

Output Signal: 20 mV/V

Zero Shift in CTR: ±.05 % of FS

[All Compact Compression Load Cell \(47\)](#)

## Features

### Product Type Features

Force Sensor Element Sensor Type	OEM Compression Load Cells
----------------------------------	----------------------------

### Electrical Characteristics

Supply Voltage	5 VDC
Full Scale Range	10 – 10 lbf

### Signal Characteristics

Output Signal	20 mV/V
---------------	---------

### Usage Conditions

Operating Temperature Range	0 – 50 °C[32 – 122 °F]
-----------------------------	------------------------

### Other

Accuracy	±1 % of FS
Force Direction	Compression
Zero Shift in CTR	±.05 % of FS
Sensitivity Shift	±.05 % of FS

## Product Compliance

[For compliance documentation, visit the product page on TE.com>](#)



EU RoHS Directive 2011/65/EU	Compliant with Exemptions
EU ELV Directive 2000/53/EC	Compliant with Exemptions
China RoHS 2 Directive MIIT Order No 32, 2016	Restricted Materials Above Threshold
EU REACH Regulation (EC) No. 1907/2006	<p>Current ECHA Candidate List: JUNE 2023 (235)</p> <p>Candidate List Declared Against: JUNE 2023 (235)</p> <p>SVHC &gt; Threshold:</p> <p>Dodecamethylcyclohexasiloxane (D6) (.26% in component part)</p> <p>Decamethylcyclopentasiloxane (D5) (.12% in component part)</p> <p><b>Article Safe Usage Statements:</b> Wash thoroughly after handling. Recycle if possible and dispose of the article by following all applicable governmental regulations relevant to your geographic location.</p>
Halogen Content	Not Yet Reviewed for halogen content
Solder Process Capability	Not reviewed for solder process capability

Product Compliance Disclaimer

This information is provided based on reasonable inquiry of our suppliers and represents our current actual knowledge based on the information they provided. This information is subject to change. The part numbers that TE has identified as EU RoHS compliant have a maximum concentration of 0.1% by weight in homogenous materials for lead, hexavalent chromium, mercury, PBB, PBDE, DBP, BBP, DEHP, DIBP, and 0.01% for cadmium, or qualify for an exemption to these limits as defined in the Annexes of Directive 2011/65/EU (RoHS2). Finished electrical and electronic equipment products will be CE marked as required by Directive 2011/65/EU. Components may not be CE marked. Additionally, the part numbers that TE has identified as EU ELV compliant have a maximum concentration of 0.1% by weight in homogenous materials for lead, hexavalent chromium, and mercury, and 0.01% for cadmium, or qualify for an exemption to these limits as defined in the Annexes of Directive 2000/53/EC (ELV). Regarding the REACH Regulation, the information TE provides on SVHC in articles for this part number is based on the latest European Chemicals Agency (ECHA) 'Guidance on requirements for substances in articles' posted at this URL: <https://echa.europa.eu/guidance-documents/guidance-on-reach>

## Compatible Parts



Also in the Series | **MEAS FX29**

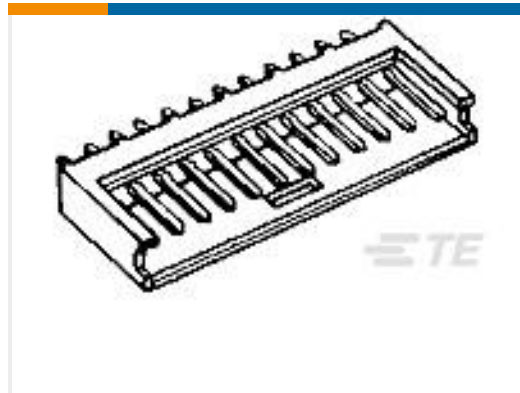


Force Sensor Elements(47)

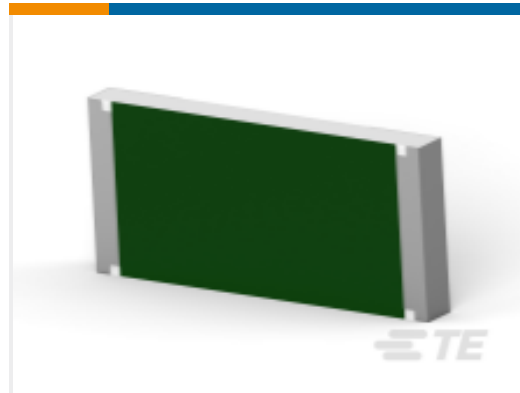
### Customers Also Bought



TE Part #20009605-05  
FX292X-100A-0025-L



TE Part #280374-2  
10P AMPMODU II SHRD HDR, ST, 0.38  
AU



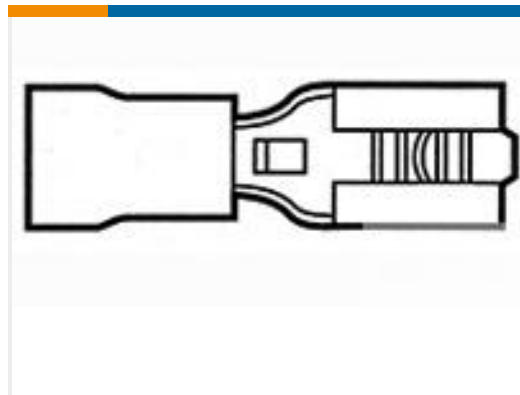
TE Part #7-2176404-1  
3550 1R0 5%



TE Part #2337230-1  
TACT ULTRA TB 3.0X2.0X0.6 160GF



TE Part #5885930001  
TRSA-1019/E/1/9



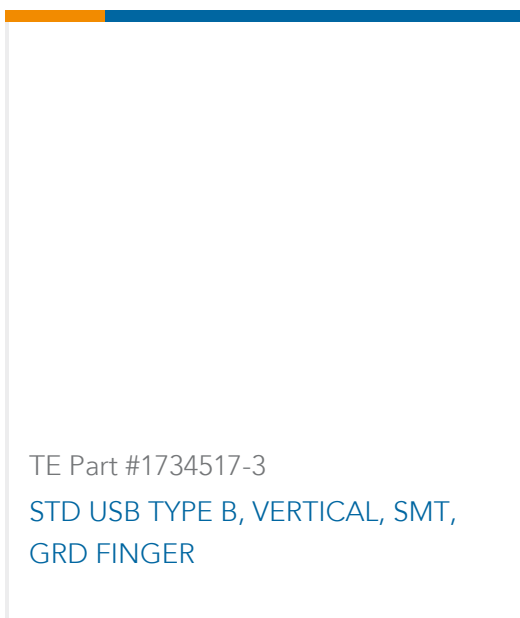
TE Part #696108-1  
.187 PIDG FASTON REC.16-14



TE Part #5885930016  
TRSA-1019/E/1/7



TE Part #5885930015  
TRSA-1019/E/1/8



TE Part #1734517-3  
STD USB TYPE B, VERTICAL, SMT,  
GRD FINGER

### Documents

#### CAD Files

[3D PDF](#)

[3D](#)

#### Customer View Model

[ENG\\_CVM\\_CVM\\_20009605-04\\_D.2d\\_dxf.zip](#)

English

#### Customer View Model

[ENG\\_CVM\\_CVM\\_20009605-04\\_D.3d\\_igs.zip](#)



English

Customer View Model

[ENG\\_CVM\\_CVM\\_20009605-04\\_D.3d\\_stp.zip](#)

English

By downloading the CAD file I accept and agree to the [Terms and Conditions](#) of use.

**Datasheets & Catalog Pages**

**[FX29 COMPRESSION LOAD CELL](#)**

English