



**MEAS**

TE Internal #: 20009210-00

TE Internal Description: TC,CAP,J,STD,U,.125D,3.0L,36.0Y,CNCTR

[View on TE.com >](#)

Sensors > Temperature Sensors > Thermocouple Sensors



Thermocouple Type: J

Thermocouple Sensor Package: **Stainless Steel Sheath**

Model Number: **200**

**Features**

**Product Type Features**

Wire/Cladding Type	Iron/Constantan
Thermocouple Type	J
Model Number	200

**Dimensions**

Length	76.2 mm[3 in]
Diameter	3.18 mm[.125 in]
Wire Length	914 mm[36 in]

**Usage Conditions**

Error Limits/T-Accuracy	Standard Limits / +/- 1.1°C
Ambient Temperature Range	-50 – 250 °C[-58 – 482 °F]

**Packaging Features**

Thermocouple Sensor Package	Stainless Steel Sheath
-----------------------------	------------------------

**Other**

Junction Grounding	Ungrounded
--------------------	------------

**Product Compliance**

[For compliance documentation, visit the product page on TE.com>](#)

EU RoHS Directive 2011/65/EU	Compliant
EU ELV Directive 2000/53/EC	Compliant
China RoHS 2 Directive MIIT Order No 32, 2016	No Restricted Materials Above Threshold

EU REACH Regulation (EC) No. 1907/2006

Current ECHA Candidate List: JUNE 2023 (235)

Candidate List Declared Against: JUNE 2022 (224)

SVHC > Threshold:

EGDME (75% in Component)

**Article Safe Usage Statements:**

Do not eat, drink or smoke when using this product. Wash thoroughly after handling. Recycle if possible and dispose of the article by following all applicable governmental regulations relevant to your geographic location.

Halogen Content

Not Yet Reviewed for halogen content

Solder Process Capability

Not reviewed for solder process capability

**Product Compliance Disclaimer**

This information is provided based on reasonable inquiry of our suppliers and represents our current actual knowledge based on the information they provided. This information is subject to change. The part numbers that TE has identified as EU RoHS compliant have a maximum concentration of 0.1% by weight in homogenous materials for lead, hexavalent chromium, mercury, PBB, PBDE, DBP, BBP, DEHP, DIBP, and 0.01% for cadmium, or qualify for an exemption to these limits as defined in the Annexes of Directive 2011/65/EU (RoHS2). Finished electrical and electronic equipment products will be CE marked as required by Directive 2011/65/EU. Components may not be CE marked. Additionally, the part numbers that TE has identified as EU ELV compliant have a maximum concentration of 0.1% by weight in homogenous materials for lead, hexavalent chromium, and mercury, and 0.01% for cadmium, or qualify for an exemption to these limits as defined in the Annexes of Directive 2000/53/EC (ELV). Regarding the REACH Regulations, TE's information on SVHC in articles for this part number is still based on the European Chemical Agency (ECHA) 'Guidance on requirements for substances in articles' (Version: 2, April 2011), applying the 0.1% weight on weight concentration threshold at the finished product level. TE is aware of the European Court of Justice ruling of September 10th, 2015 also known as O5A (Once An Article Always An Article) stating that, in case of 'complex object', the threshold for a SVHC must be applied to both the product as a whole and simultaneously to each of the articles forming part of its composition. TE has evaluated this ruling based on the new ECHA "Guidance on requirements for substances in articles" (June 2017, version 4.0) and will be updating its statements accordingly.

## Customers Also Bought



TE Part #1-1462037-8  
IM03TS=IM RELAY 140mW 5V



TE Part #1624213-2  
23SE 10KB 6.35X50FL B7 CAT



TE Part #142270-3  
CONNECTOR SHUNT 2 P



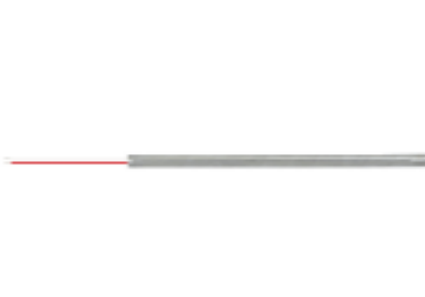
TE Part #G-NSDOG2-021  
AXISENSE-2 USB-90 TILT SENSOR



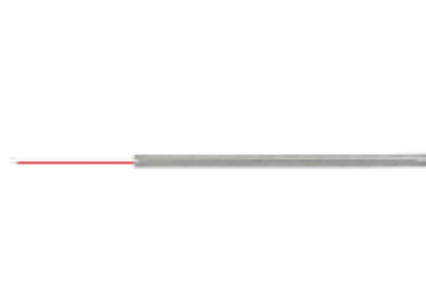
TE Part #36808  
TERMINAL,SOLIS R 6 1/2



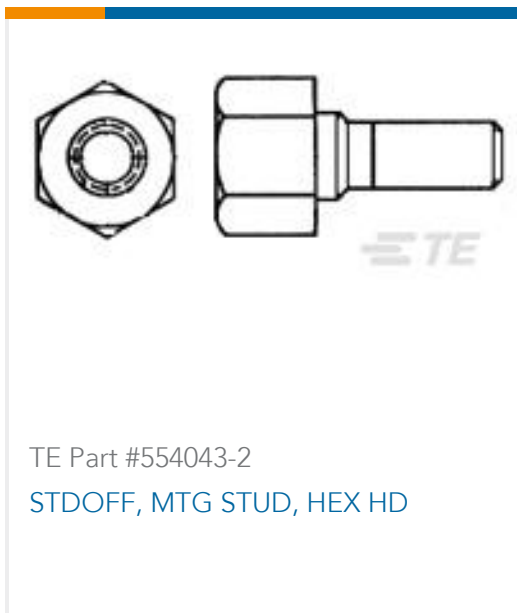
TE Part #1618387-3  
LEV200A4ANA=RELAY, SPST-NO



TE Part #20009210-01  
TC,CAP,K,STD,U,.125D,3.0L,36.0Y,CNCTR



TE Part #20009210-02  
TC,CAP,T,STD,U,.125D,3.0L,36.0Y,CNCTR



## Documents

### Datasheets & Catalog Pages

[TESS-ANDO-408-000031](#)

English