



Sensors > Temperature Sensors > RTD Sensors > RTD Probes



Sensor Type: **Thin Film**

Element Package: **Stainless Steel**

Element Material: **Platinum**

Lead Wire Style: **PTFE**

Maximum Temperature: **250 °C [482 °F]**

Features

Product Type Features

Sensor Type	Thin Film
Element Material	Platinum
Lead Wire Style	PTFE

Usage Conditions

Maximum Temperature	250 °C[482 °F]
---------------------	----------------

Packaging Features

Element Package	Stainless Steel
-----------------	-----------------

Product Compliance

[For compliance documentation, visit the product page on TE.com>](#)

EU RoHS Directive 2011/65/EU	Not Yet Reviewed
EU ELV Directive 2000/53/EC	Out of Scope
China RoHS 2 Directive MIIT Order No 32, 2016	Not reviewed for China RoHS compliance
EU REACH Regulation (EC) No. 1907/2006	Current ECHA Candidate List: JUNE 2023 (235) Not Yet Reviewed
Halogen Content	Not Yet Reviewed for halogen content
Solder Process Capability	Not reviewed for solder process capability

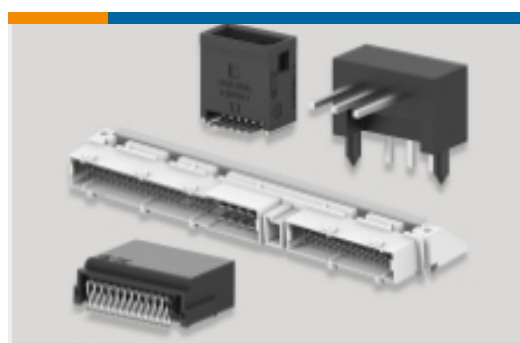
Product Compliance Disclaimer

This information is provided based on reasonable inquiry of our suppliers and represents our current actual knowledge based on the information they provided. This information is subject to change. The part numbers that TE has identified as EU RoHS compliant have a maximum concentration of 0.1% by weight in homogenous materials for lead, hexavalent chromium, mercury, PBB, PBDE, DBP, BBP, DEHP, DIBP, and 0.01% for cadmium, or qualify for an exemption to these limits as defined in the Annexes of Directive 2011/65/EU (RoHS2). Finished electrical and electronic equipment products will be CE marked as required by Directive 2011/65/EU. Components may not be CE marked. Additionally, the part numbers that TE has identified as EU ELV compliant have a maximum concentration of 0.1% by weight in homogenous materials for lead, hexavalent chromium, and mercury, and 0.01% for cadmium, or qualify for an exemption to these limits as defined in the Annexes of Directive 2000/53/EC (ELV). Regarding the REACH Regulation, the information TE provides on SVHC in articles for this part number is based on the latest European Chemicals Agency (ECHA) 'Guidance on requirements for substances in articles' posted at this URL: <https://echa.europa.eu/guidance-documents/guidance-on-reach>

Also in the Series | **RAYCHEM RTD**



Coax Connectors(28)



PCB Headers & Receptacles(2)



Standard Labels(17)

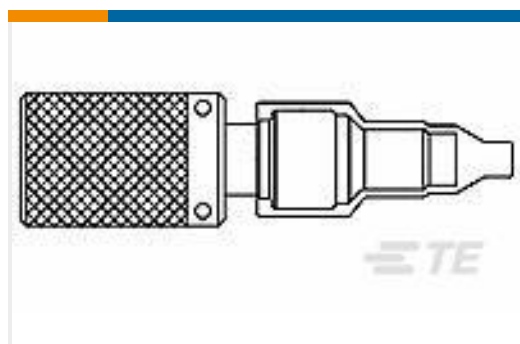


Wire-to-Board Connector Contacts(1)

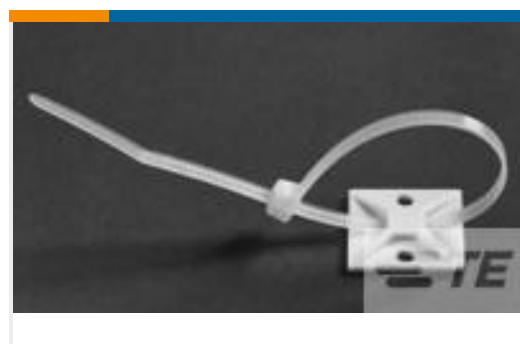
Customers Also Bought



TE Part #4-640440-4
14P MTA100 CONN ASSY 22AWG RED



TE Part #363549-000
DK-621-0011-P



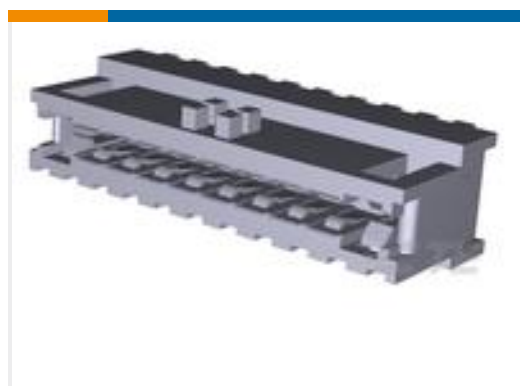
TE Part #608803-1
CABLE TIE MOUNT, 4-WAY,1-1/8"



TE Part #3-2176369-5
RQ 0603 90R9 0.1% 10PPM 5K RL



TE Part #YDTS20W09-35PNV001
RECP ASSY



TE Part #1-1355181-8
DUOPLUG2,5GEH 8P 6X

Documents

Datasheets & Catalog Pages

[TESS-ANDO-408-0000073](#)

English

