

2-746610-1 ✓ ACTIVE

AMP-LATCH

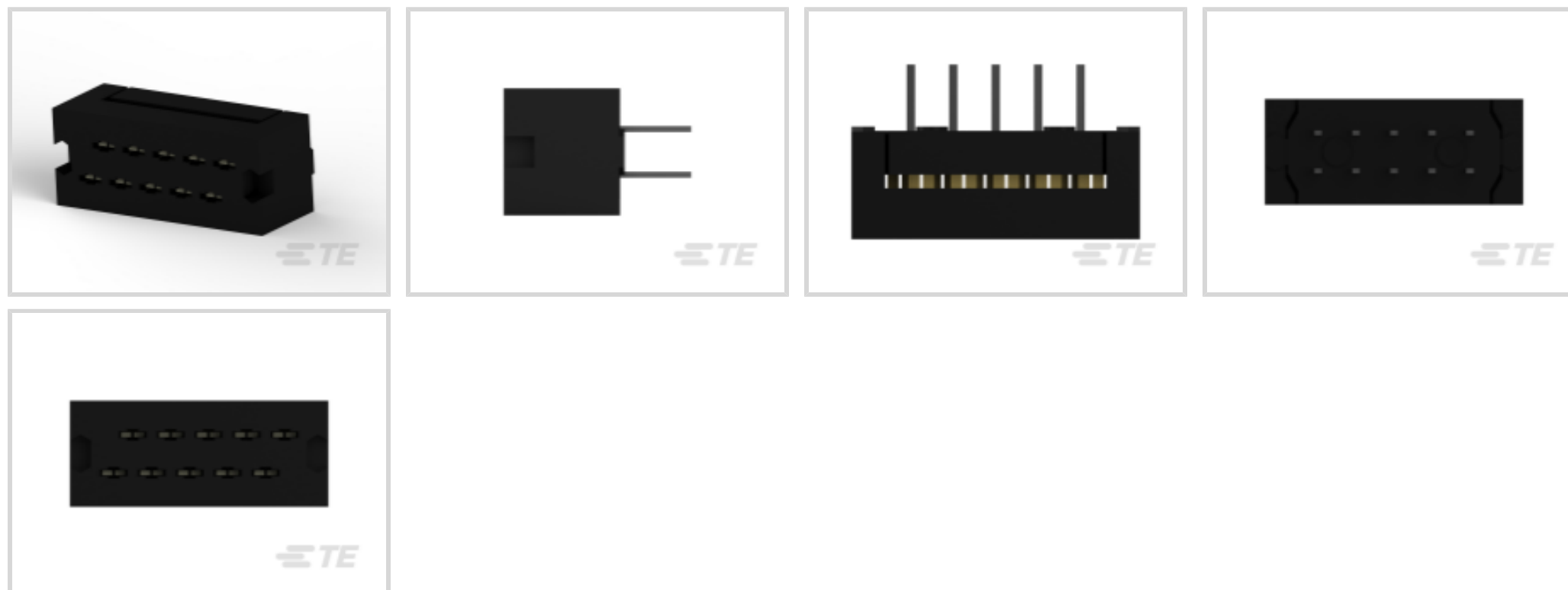
TE Internal #: 2-746610-1

Ribbon Cable Connectors, Wire-to-Board, 10 Position, 2.54 mm [.1 in] Centerline, Vertical, Through Hole - Solder, 2 Row, Plug, Standard Profile

[View on TE.com >](#)



Connectors > PCB Connectors > Wire-to-Board Connectors > FFC, FPC & Ribbon Connectors > Ribbon Cable Connectors



Connector System: **Wire-to-Board**

Number of Positions: **10**

Centerline (Pitch): **2.54 mm [.1 in]**

PCB Mount Retention: **Without**

PCB Mount Orientation: **Vertical**

Features

Product Type Features

| | |
|------------------------------------|-------------------------------------|
| Ribbon Cable Connector Header Type | Pin Header |
| Connector Product Type | Connector Assembly |
| Connector System | Wire-to-Board |
| Connector & Housing Type | Plug |
| Connector & Contact Terminates To | Printed Circuit Board, Wire & Cable |

Configuration Features

| | |
|-----------------------|----------|
| Number of Positions | 10 |
| PCB Mount Orientation | Vertical |
| Number of Rows | 2 |

Electrical Characteristics

| | |
|-----------------------|-----------------|
| Insulation Resistance | 5000 M Ω |
| Operating Voltage | 250 VAC |

Body Features

| | |
|-------------|---------|
| Daisy Chain | Without |
|-------------|---------|



| | |
|-----------------------|----------|
| Primary Product Color | Black |
| Connector Profile | Standard |

Contact Features

| | |
|---|---|
| PCB Contact Termination Area Plating Material Thickness | 2.54 – 5.08 μm [100 – 200 μin] |
| Contact Layout | Inline |
| Contact Type | Pin |
| Wire Contact Termination Area Plating Thickness | .127 μm [5 μin] |
| Wire Contact Termination Area Plating Material | Gold |
| Contact Mating Area Plating Material Thickness | 2.54 μm [100 μin] |
| PCB Contact Termination Area Plating Material | Tin |
| Contact Base Material | Phosphor Bronze |
| Contact Current Rating (Max) | 1 A |

Termination Features

| | |
|---|-------------------------------|
| Rectangular Termination Post & Tail Thickness | .32 mm[.013 in] |
| Rectangular Termination Post & Tail Width | .5 mm[.02 in] |
| Termination Post & Tail Length | 3.96 mm[.156 in] |
| Termination Method to Wire & Cable | Insulation Displacement (IDC) |
| Termination Method to Printed Circuit Board | Through Hole - Solder |

Mechanical Attachment

| | |
|-------------------------|--------------|
| Mating Alignment | With |
| PCB Mount Alignment | Without |
| Panel Mount Feature | Without |
| PCB Mount Retention | Without |
| Mating Alignment Type | Polarization |
| Mating Retention | Without |
| Connector Mounting Type | Board Mount |

Housing Features

| | |
|--------------------|----------------|
| Housing Material | Thermoplastic |
| Centerline (Pitch) | 2.54 mm[.1 in] |

Dimensions

| | |
|------------------|------------------|
| Connector Length | 17.27 mm[.68 in] |
| Connector Height | 6.43 mm[.253 in] |



| | |
|--------------------------------------|-------------------------------|
| Connector Width | 7.06 mm[.278 in] |
| Wire Size | .051 – .15 mm ² |
| PCB Thickness (Recommended) | 3.18 mm[.125 in] |
| Compatible Insulation Diameter Range | .81 – 1.07 mm[.032 – .042 in] |
| Row-to-Row Spacing | 2 mm[.1 in] |

Usage Conditions

| | |
|-----------------------------|----------------------------|
| Operating Temperature Range | -65 – 105 °C[-85 – 221 °F] |
|-----------------------------|----------------------------|

Operation/Application

| | |
|------------------------|---------------|
| Solder Process Feature | Solder Dipped |
| Circuit Application | Signal |

Industry Standards

| | |
|------------------------|-----------------------|
| UL Rating | Recognized |
| Agency/Standard | CSA, UL |
| Approved Standards | CSA LR7189, UL E28476 |
| UL Flammability Rating | UL 94V-0 |

Packaging Features

| | |
|--------------------|------------------|
| Packaging Quantity | 50 |
| Packaging Method | Box & Tube, Tube |

Product Compliance

[For compliance documentation, visit the product page on TE.com>](#)

| | |
|---|---|
| EU RoHS Directive 2011/65/EU | Compliant |
| EU ELV Directive 2000/53/EC | Compliant |
| China RoHS 2 Directive MIIT Order No 32, 2016 | No Restricted Materials Above Threshold |
| EU REACH Regulation (EC) No. 1907/2006 | Current ECHA Candidate List: JUNE 2023 (235) Candidate List Declared Against: JUNE 2023 (235) Does not contain REACH SVHC |
| Halogen Content | Not Low Halogen - contains Br or Cl > 900 ppm. |
| Solder Process Capability | Wave solder capable to 265°C |

Product Compliance Disclaimer

This information is provided based on reasonable inquiry of our suppliers and represents our current actual knowledge based on the information they provided. This information is subject to change. The part numbers that TE has identified as EU RoHS compliant have a maximum concentration of 0.1% by weight in homogenous materials for lead, hexavalent chromium, mercury, PBB, PBDE, DBP, BBP, DEHP, DIBP, and 0.01% for cadmium, or qualify for an exemption to these limits as defined in the Annexes of Directive 2011/65/EU (RoHS2). Finished electrical and electronic equipment products will be CE marked as required by Directive 2011/65/EU. Components may not be CE marked. Additionally, the part numbers that TE has identified as EU ELV compliant have a maximum concentration of 0.1% by weight in homogenous materials for lead, hexavalent chromium, and mercury, and 0.01% for cadmium, or qualify for an exemption to these limits as defined in the Annexes of Directive 2000/53/EC (ELV). Regarding the REACH Regulation, the information TE provides on SVHC in articles for this part number is based on the latest European Chemicals Agency (ECHA) 'Guidance on requirements for substances in articles' posted at this URL: <https://echa.europa.eu/guidance-documents/guidance-on-reach>

Compatible Parts



TE Part # 1658525-6
622-1053LF, PCB IDC, LEAD FREE



TE Part # 768340-1
UNIV HAND TOOL KIT AMPLATCH

Customers Also Bought



TE Part #213570-1
CPC MIL-C-5015 Connector



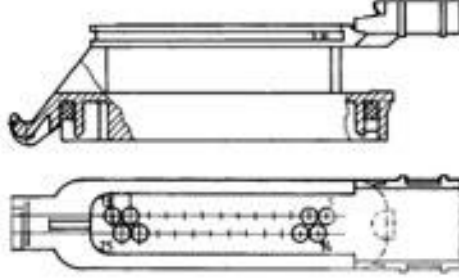
TE Part #5102154-5
A/L UNIV HDR 24P VERT



TE Part #211908-1
RECPT, 11-4, REVERSE SEX CPC



TE Part #5-66461-9
SKT,.062 DIA,.025 SQ POST,LP



TE Part #281810-1
JUNIOR TIMER WIRE SEAL CO



TE Part #1-66473-7
SKT,.062 DIA,.045 SQ POST,LP



TE Part #1-66473-8
SKT,.062 DIA,.045 SQ POST,LP



TE Part #5-146277-8
08 MODII HDR SRST B/A .100CL



Documents

Product Drawings

[010 DIP PLUG 100CL TIN](#)

English

CAD Files

[3D PDF](#)

3D

Customer View Model

[ENG_CVM_CVM_2-746610-1_F.2d_dxf.zip](#)

English

Customer View Model

[ENG_CVM_CVM_2-746610-1_F.3d_igs.zip](#)

English

Customer View Model

[ENG_CVM_CVM_2-746610-1_F.3d_stp.zip](#)

English

By downloading the CAD file I accept and agree to the [Terms and Conditions](#) of use.

Datasheets & Catalog Pages

[Ribbon Cable Interconnect Solutions](#)

English

Product Specifications

[Application Specification](#)

English

Product Environmental Compliance

[010 DIP PLUG 100CL TIN](#)

English

[010 DIP PLUG 100CL TIN](#)

English

Instruction Sheets

[Instruction Sheet \(U.S.\)](#)

English

Agency Approvals



Agency Approval Document

English