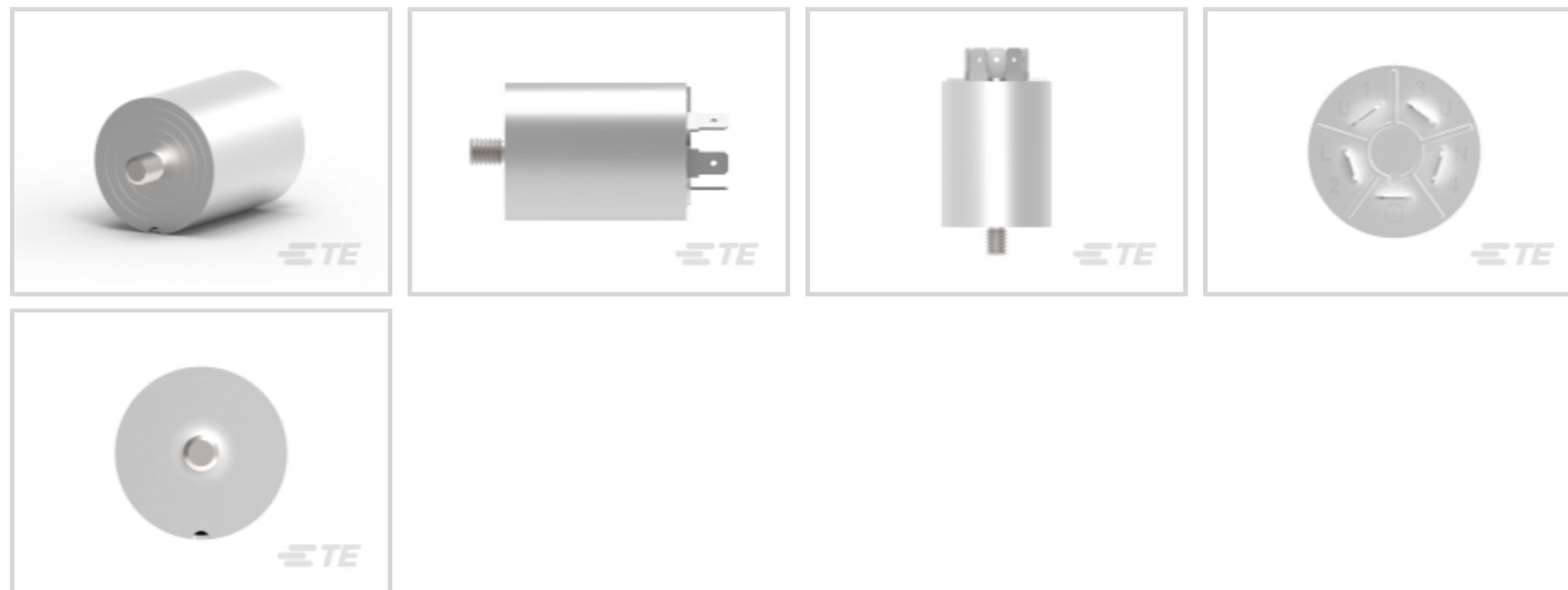




EMI & EMC Solutions > EMI Filters > Power Line Filters > Single Phase Filters > Single Phase Filters, Corcom WG Series



Current Rating: **16 A**

Input Termination Type: **.250" FASTON**

Output Termination Type: **.250" FASTON**

Leakage Current (Max) (120VAC, 60Hz): **.76 mA**

Leakage Current (Max) (250VAC, 50Hz): **1.27 mA**

[All Single Phase Filters, Corcom WG Series \(14\)](#)

## Features

### Product Type Features

Ground Choke Option	No
Filtering Requirements	Filtered
Input Termination Type	.250" FASTON
Output Termination Type	.250" FASTON

### Electrical Characteristics

Operating Voltage	250 VAC
Current Rating	16 A
Leakage Current (Max) (120VAC, 60Hz)	.76 mA
Leakage Current (Max) (250VAC, 50Hz)	1.27 mA

### Mechanical Attachment

Product Mount Type	Panel
--------------------	-------

### Usage Conditions

Operating Temperature Range	-10 – 40 °C
-----------------------------	-------------

## Product Compliance

[For compliance documentation, visit the product page on TE.com>](#)

EU RoHS Directive 2011/65/EU	Compliant
EU ELV Directive 2000/53/EC	Compliant
China RoHS 2 Directive MIIT Order No 32, 2016	No Restricted Materials Above Threshold
EU REACH Regulation (EC) No. 1907/2006	Current ECHA Candidate List: JUNE 2023 (235) Candidate List Declared Against: JAN 2023 (233) Does not contain REACH SVHC
Halogen Content	Not Low Halogen - contains Br or Cl > 900 ppm.
Solder Process Capability	Not applicable for solder process capability

### Product Compliance Disclaimer

This information is provided based on reasonable inquiry of our suppliers and represents our current actual knowledge based on the information they provided. This information is subject to change. The part numbers that TE has identified as EU RoHS compliant have a maximum concentration of 0.1% by weight in homogenous materials for lead, hexavalent chromium, mercury, PBB, PBDE, DBP, BBP, DEHP, DIBP, and 0.01% for cadmium, or qualify for an exemption to these limits as defined in the Annexes of Directive 2011/65/EU (RoHS2). Finished electrical and electronic equipment products will be CE marked as required by Directive 2011/65/EU. Components may not be CE marked. Additionally, the part numbers that TE has identified as EU ELV compliant have a maximum concentration of 0.1% by weight in homogenous materials for lead, hexavalent chromium, and mercury, and 0.01% for cadmium, or qualify for an exemption to these limits as defined in the Annexes of Directive 2000/53/EC (ELV). Regarding the REACH Regulation, the information TE provides on SVHC in articles for this part number is based on the latest European Chemicals Agency (ECHA) 'Guidance on requirements for substances in articles' posted at this URL: <https://echa.europa.eu/guidance-documents/guidance-on-reach>

## Compatible Parts



## Also in the Series | Corcom WG

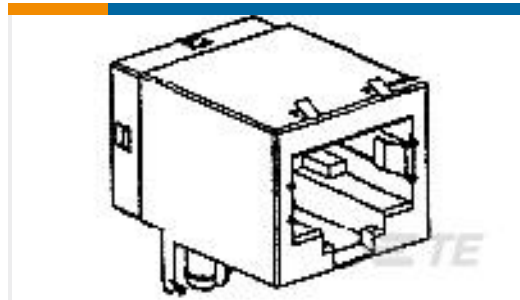


Single Phase Filters(14)

### Customers Also Bought



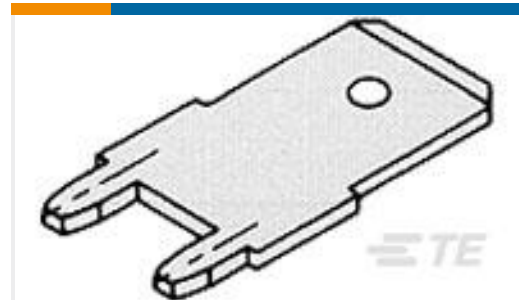
TE Part #4-1622820-9  
3520 47K 5%



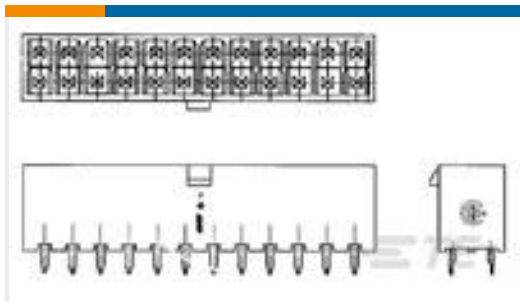
TE Part #5558342-1  
MJ,8POS,R/A,CAT5,SHLD,PC GND



TE Part #928814-1  
250 FASTON TAB TPBR



TE Part #1217056-1  
250 FASTON,PCB TAB,TPBR



TE Part #1586037-4  
4P VERT HDR VAL-U-LOK V2



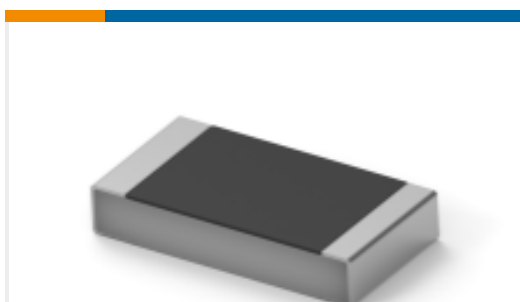
TE Part #1676388-2  
RN 0805 5K49 0.1% 10PPM 1KRL



TE Part #4-2176343-4  
CRGCO 1206 39K 1%



TE Part #3-2176343-2  
CRGCO 1206 3K9 1%



TE Part #4-2176458-3  
CPF 1206 2R74 0.1% 25ppm 1K RL

### Documents

#### Product Drawings

[16WGA1=F4338](#)

English

#### CAD Files

Customer View Model

[ENG\\_CVM\\_CVM\\_2-6609089-4\\_E1.2d\\_dxf.zip](#)

English

Customer View Model



[ENG\\_CVM\\_CVM\\_2-6609089-4\\_E1.3d\\_stp.zip](#)

English

**Customer View Model**

[ENG\\_CVM\\_CVM\\_2-6609089-4\\_E1.3d\\_igs.zip](#)

English

**3D PDF**

3D

By downloading the CAD file I accept and agree to the [Terms and Conditions](#) of use.

---

### Datasheets & Catalog Pages

[1654001\\_CORCOM\\_PRODUCT\\_GUIDE](#)

English

[1654001\\_CORCOM\\_PRODUCT\\_GUIDE\\_WG\\_SERIES](#)

English

**Corcom Combined Selector Charts**

English

[1-1654250-1\\_CORCOM\\_EMI\\_RFI\\_QRG](#)

English